

Art One

**LIGHTING
COLLECTION**

2026

JMMC INDIA
Your Brand Our Responsibility

www.jmmcindia.com

JAI MAHAKALIMAA
MANUFACTURING COMPANY

ABOUT US

At **JMMC India Private Limited**, our vision is anchored in a steadfast commitment to excellence, innovation, and production expertise.

As a Visionary OEM and contract manufacturing partner we specialize in indoor technical lighting with expertise in COB Downlights, Magnetic Lighting Systems, Commercial Track Lighting and Smart Lighting Solutions. Our expansive portfolio featuring over 300 Market Validated designs with more than 2,000 product variants reflects both depth and versatility in capability.

ISO-certified production and full BIS compliance set our benchmark. Each of the 2,000 fixtures we produce daily reflects exceptional quality and meticulous workmanship.

We position ourselves as a seamless extension of our clients business, an enabling force that simplifies operations while enhancing value. From design and selection to manufacturing, quality assurance, and timely delivery, we manage the complexities behind the scenes so our partners can focus on growth, brand building, and Optimizing profitability.

Our ethos is grounded in collaboration, discretion, and long-term partnerships, with a strong emphasis on Testing and operational efficiency. By consistently aligning with the latest advancements in design and lighting technology, we deliver contemporary market and future ready solutions that give our clients a competitive edge.

As directors, we envision JMMC INDIA as a cornerstone of reliability and sophistication within the lighting industry where execution excellence meets strategic partnership. Our Responsibility extends beyond production, it is a dedication to enabling success, driven by a commitment to grow every brand as one of our own.

Hiren M Patell & Pooja Ssandha
Directors

INDEX



ASTRA
Pg.3-14



LUMA
Pg.15-22



COSMO
Pg.23-28



JONO
Pg.29-36



EON
Pg.37-44



ELITE
Pg.45-56



SATURN
Pg.57-60



ALBA
Pg.63-66



NEBULA
Pg.67-72



HYDRA
Pg.75-92



OPAL
Pg.95-96



REGAL
Pg.97-102



NOVA
Pg.103-108



HELIX
Pg.109-112



NEXA
Pg.113-118



MAPLE
Pg.119-122



HAZEL
Pg.123-126



COMFORT
Pg.129-134



MATRIX
Pg.135-136



DURA
Pg.137-140



BENZ
Pg.141-142



PINOC
Pg.143-144



CHAN
Pg.145-146



LEO
Pg.147-152



ROVER
Pg.153-156



WINK
Pg.159-160



CHARM
Pg.161-164



CHIC
Pg.165-168



DAWN
Pg.171-178



VESPER
Pg.181-184



APOLLO
Pg.185-188



PEARL
Pg.189-192



ARIES
Pg.193-196



PHARO
Pg.197-198



CAPE
Pg.199-200



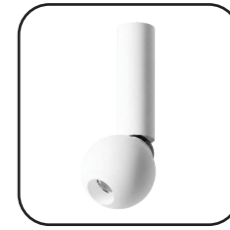
BYNO
Pg.269-270



FUJI
Pg.271-272



GLOBE
Pg.273-276



COMET
Pg.277-278



TEN0
Pg.279-280



CRUST
Pg.201-202



ENZO
Pg.203-204



CRIMSON
Pg.205-206



RUBY
Pg.207-208



ORBIT
Pg.209-210



LIOR
Pg.281-286



ONYX
Pg.287-90



OLID
Pg.291-294



SURFACE ART
Pg.295-296



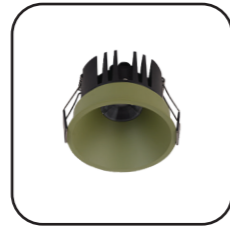
CONCEAL ART
Pg.297-298



POOKIE
Pg.213-214



UNNI
Pg.215-216



REN
Pg.217-218



TITAN
Pg.219-220



GATEWAY
Pg.221-222



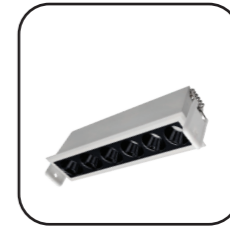
CLASSIC
Pg.299-300



MOON
Pg.301-302



META SQ
Pg.303-306



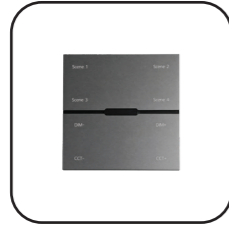
CINDER
Pg.309-314



RAZE
Pg.315-318



REMOTE ONE
Pg.223-224



KEYPAD
Pg.225-226



LUXE EDGE
Pg.227-228



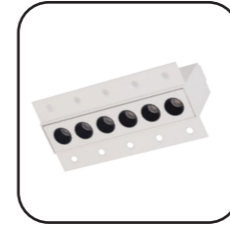
LUXE PRO
Pg.229-230



TOUCH PANEL
Pg.231-232



MOVE
Pg.319-322



CLOVER
Pg.323-328



VENUS
Pg.331-332



FINE
Pg.333-334



BRIO
Pg.335-336



LEPUS
Pg.233-234



STELLAR
Pg.235-236



RIO
Pg.237-242



MEMO
Pg.243-246



INVO
Pg.247-248



ICON
Pg.337-338



INTI
Pg.339-340



ZON
Pg.341-342



RAY 20
Pg.343-344



RAY 25
Pg.345-346



VINTAGE
Pg.249-252



GEM
Pg.253-254



BOLD
Pg.257-260



SOL
Pg.261-264



KYRO
Pg.265-268



GEO
Pg.349-350



MUD
Pg.351-352



NIO
Pg.353-354



ERDE
Pg.355-356



CLOUD
Pg.357-362



ZEN
Pg.363-368



LEX
Pg.369-370

GUIDELINES AND POLICIES

Placing Orders

All orders must be placed through the designated client-factory group. Based on client requirements, an Order Confirmation will be issued by us along with delivery timelines. Orders will be processed only upon client confirmation.

Returns & Exchanges

No Returns, Refunds, or Exchanges are accepted as all products are custom made to specific requirements.

Payment Terms

100% advance payment is required. We follow a strict no-credit policy.

Product Usage Instructions

Clients are advised to review the IP Rating and Installation Guidelines provided for each product.

*Warranty & Service

We offer an exclusive 2-year warranty on each fixture, covering defects in LED chips or Drivers, or if the product stops working under normal usage within 2 Years from date of manufacture. This warranty does not cover damage due to short circuits, voltage fluctuations, moisture or physical damage.

Important Note: All Images in this catalogue are based on actual product references and are for illustrative purposes only. Actual performance may vary depending on application and conditions. Dimensions are highly accurate but remain indicative and should be verified with the physical product. Certain visuals are the property of their rightful owners and are used for illustrative purposes only, no copyright infringement is intended. Product availability is subject to change without prior notice.

CERTIFICATIONS



All drivers used in our products are 100% BIS approved.
All our fixtures are under registration with the Indian BIS CRS and certification is expected shortly.

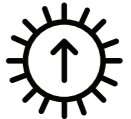
FEATURES



50,000
BURNING HOURS



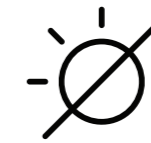
HIGH CRI >90



HIGH LUMENS



2 YEARS
WARRANTY*



ANTI GLARE



ECO FRIENDLY



FLAWLESS
COLOR, FINISHING & FEEL



ENERGY SAVING
UP TO 80%



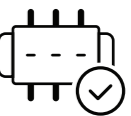
UNIVERSAL
APPLICATION



2700K & 5000K LED
AVAILABLE ON REQUEST



FLICKER FREE



FULHAM & OSRAM DRIVERS
AVAILABLE ON REQUEST

APPLICATIONS



Residential Living Spaces



Corporate Offices



Fine Dining Restaurants



Cafés & Coffee Shops



Retail Showrooms



Banquet & Event Halls



Auditoriums & Theatres



Educational Institutions



Sports & Fitness Facilities



Healthcare Facilities

• **Chromogenic Integrity | The 90+ Benchmark**

The standard of true colour

Lighting should reveal, not distort. That's why every product we manufacture is built with a default Color Rendering Index (CRI) Above 90. At the core of our lighting philosophy is a commitment to visual truth. Colour is not just seen, it is felt.

While the industry standard lingers at CRI 80, we have established CRI >90 as our absolute minimum across all product lines. By prioritizing high RA values, our luminaires ensure that textures are rich, skin tones are natural, and architectural materials appear exactly as the designer intended. Experience a spectrum without compromise.



• **Visual Equilibrium | Advanced Optical Shielding**

Visual comfort is engineered, not accidental

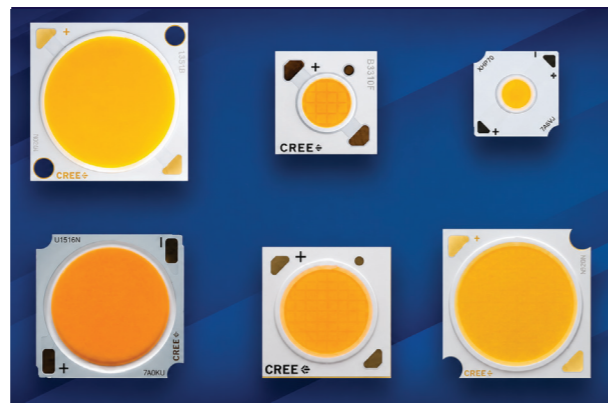
Our lighting systems integrate advanced anti-glare optics, precisely controlling beam angles and light diffusion to eliminate harsh reflections and eye fatigue. We use optically refined lenses from highly reputed brands such as Darkoo, Tehao.

Through refined Lens geometry and deep-recessed designs, we ensure a soft, uniform illumination experience.



• **Coherent Beam Architecture (COB)**

Uniformity in Every Facet, our default use of the established Chip-On-Board (COB) technology eliminates the "multi-shadow" effect common in inferior LEDs. By utilizing a single high-density light-emitting surface, all our fixtures produce a clean, punchy beam with a soft-graded edge. Whether used for narrow-spot accenting or wide-wash illumination, our COB engines deliver a dimensionally rich light that enhances the three-dimensionality of all interiors.



• **The Light Emitting Diode | Tier-1 Global Technology**

LEDVANCE (OSRAM): A Commitment to Excellence



A luminaire is only as enduring as its engine.

We are proud to announce our deliberate decision to select LEDVANCE by OSRAM as our primary LED Chip platform and reference standard for superior quality and performance.

This benchmark ensures our luminaires are powered by high-reliability, industrial-grade LED, engineered for longevity, thermal stability, and consistent lumen output. LEDVANCE's history in German engineering translates into exceptional durability and performance consistency across all applications.

CREE PRO (XMB SERIES): Ultra-Precise Luxury Led Chips



For our flagship architectural range, we utilize the CREE PRO XMB series. These are ultra-precise, high-density chips engineered for Luxury Lighting Applications. They offer industry-leading lumen maintenance and tight-binning consistency, ensuring that the light color remains identical across 1 or 1,000 fixtures.

industry-leading lumen maintenance and tight-binning consistency, ensuring that the light color remains identical across 1 or 1,000 fixtures.

Tyanshine: High-Power CCT Tunable Technology



To power our Human-Centric Lighting (HCL) systems, we utilize Tyanshine specialized COB modules. These chips represent the pinnacle of CCT tuning, allowing for seamless transitions from 2700K (Warm Sunset) to 6500K (Daylight) without "banding" or color shifts, maintaining a perfect Planckian curve throughout the dimming cycle.

• **THE MIND BEHIND THE LIGHT**

We prioritize performance, reliability, and compatibility in every product we offer. That's why we use only the best-in-class, universally recognised branded Drivers that are carefully selected to deliver optimal results. Each driver is precisely matched with its corresponding LED light source, ensuring that specifications such as voltage, current, and efficiency are perfectly aligned. This tailored integration enhances the overall performance and lifespan of the LED chip, guaranteeing consistent illumination, energy efficiency, and dependable operation across all applications.



with intention, with passion, with light

ASTRA



ASTRA 7W

APPLICATION

IP Rating
IP20

Recommended Use
Indoor Use

Installation
Recessed Ceiling
Mounting

TECHNICAL SPECIFICATIONS

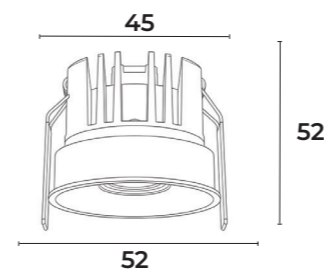
LED Light Source _____ Ledvance | Cree Pro | Tyanshine
CCT _____ 3000K | 4000K | 6000K | 2700K - 6500K Tunable
CRI _____ >90
Lens _____ 36° / 24° / 15°
Luminous Flux _____ 480 Lm
Efficiency _____ 80 Lm/W
Material _____ Aluminium Die-Cast

DRIVE SYSTEM

	Driver	Voltage	Current
Single Colour	Eaglerise	36V	150mA
Dimmable	TRIAC	36V	150mA
Smart	Sigmesh (Bluetooth Based)	36V	150mA
	Zigbee (Wifi Based)	36V	150mA
Dali	Dt 6	36V	150mA
	Dt 8	36V	150mA

Finish

White | Black



DIMMING & TUNING TECHNOLOGY

 RF 2.4G + BLE TRIAC/PHASE CUT ZIGBEE

ASTRA



ASTRA 12W

APPLICATION

IP Rating
IP20

Recommended Use
Indoor Use

Installation
Recessed Ceiling
Mounting

TECHNICAL SPECIFICATIONS

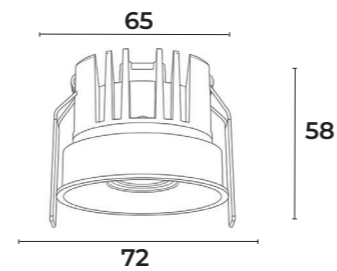
LED Light Source _____ Ledvance | Cree Pro | Tyanshine
CCT _____ 3000K | 4000K | 6000K | 2700K - 6500K Tunable
CRI _____ >90
Lens _____ 36° / 24° / 15°
Luminous Flux _____ 960 Lm
Efficiency _____ 80 Lm/W
Material _____ Aluminium Die-Cast

DRIVE SYSTEM

	Driver	Voltage	Current
Single Colour	Eaglerise	36V	300mA
Dimmable	TRIAC	36V	300mA
Smart	Sigmesh (Bluetooth Based)	36V	300mA
	Zigbee (Wifi Based)	36V	300mA
Dali	Dt 6	36V	300mA
	Dt 8	36V	300mA

Finish

White | Black



DIMMING & TUNING TECHNOLOGY

 RF 2.4G + BLE TRIAC/PHASE CUT ZIGBEE

ASTRA



ASTRA 15W

APPLICATION

IP Rating
IP20

Recommended Use
Indoor Use

Installation
Recessed Ceiling
Mounting

TECHNICAL SPECIFICATIONS

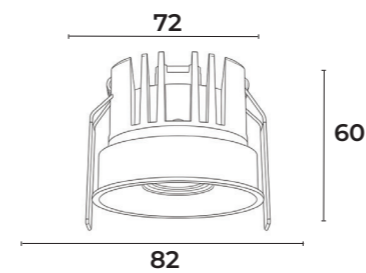
LED Light Source _____ Ledvance | Cree Pro | Tyanshine
CCT _____ 3000K | 4000K | 6000K | 2700K - 6500K Tunable
CRI _____ >90
Lens _____ 36° / 24° / 15°
Luminous Flux _____ 1200 Lm
Efficiency _____ 80 Lm/W
Material _____ Aluminium Die-Cast

DRIVE SYSTEM

	Driver	Voltage	Current
Single Colour	Eaglerise	36V	350mA
Dimmable	TRIAC	36V	350mA
Smart	Sigmesh (Bluetooth Based)	36V	350mA
	Zigbee (Wifi Based)	36V	350mA
Dali	Dt 6	36V	350mA
	Dt 8	36V	350mA

Finish

White | Black



DIMMING & TUNING TECHNOLOGY

 RF 2.4G + BLE TRIAC/PHASE CUT ZIGBEE

ASTRA



ASTRA 20W

APPLICATION

IP Rating
IP20

Recommended Use
Indoor Use

Installation
Recessed Ceiling
Mounting

TECHNICAL SPECIFICATIONS

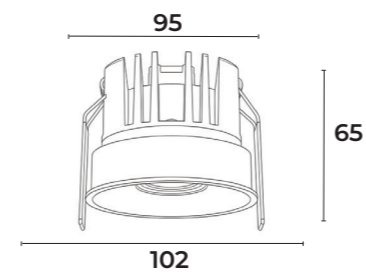
LED Light Source _____ Ledvance | Cree Pro | Tyanshine
CCT _____ 3000K | 4000K | 6000K | 2700K - 6500K Tunable
CRI _____ >90
Lens _____ 36° / 24° / 15°
Luminous Flux _____ 1600 Lm
Efficiency _____ 80 Lm/W
Material _____ Aluminium Die-Cast

DRIVE SYSTEM

	Driver	Voltage	Current
Single Colour	Eaglerise	36V	500mA
Dimmable	TRIAC	36V	500mA
Smart	Sigmesh (Bluetooth Based)	36V	500mA
	Zigbee (Wifi Based)	36V	500mA
Dali	Dt 6	36V	500mA
	Dt 8	36V	500mA

Finish

White | Black



DIMMING & TUNING TECHNOLOGY

 RF 2.4G + BLE TRIAC/PHASE CUT ZIGBEE

ASTRA



ASTRA 30W

APPLICATION

IP Rating
IP20

Recommended Use
Indoor Use

Installation
Recessed Ceiling
Mounting

TECHNICAL SPECIFICATIONS

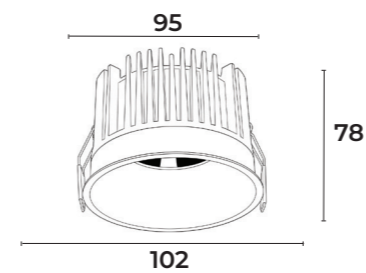
LED Light Source _____ Ledvance | Cree Pro | Tyanshine
CCT _____ 3000K | 4000K | 6000K | 2700K - 6500K Tunable
CRI _____ >90
Lens _____ 36° / 24° / 15°
Luminous Flux _____ 2400 Lm
Efficiency _____ 80 Lm/W
Material _____ Aluminium Die-Cast

DRIVE SYSTEM

	Driver	Voltage	Current
Single Colour	Eaglerise	36V	700mA
Dimmable	TRIAC	36V	700mA
Smart	Sigmesh (Bluetooth Based)	36V	700mA
	Zigbee (Wifi Based)	36V	700mA
Dali	Dt 6	36V	700mA
	Dt 8	36V	700mA

Finish

White | Black



DIMMING & TUNING TECHNOLOGY

 RF 2.4G + BLE TRIAC/PHASE CUT ZIGBEE

ASTRA



ASTRA 45W

APPLICATION

IP Rating
IP20

Recommended Use
Indoor Use

Installation
Recessed Ceiling
Mounting

TECHNICAL SPECIFICATIONS

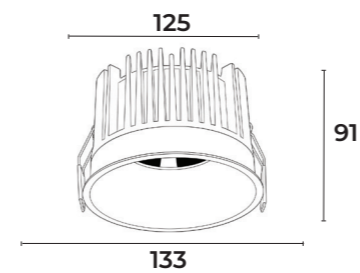
LED Light Source _____ Ledvance | Cree Pro | Tyanshine
CCT _____ 3000K | 4000K | 6000K | 2700K - 6500K Tunable
CRI _____ >90
Lens _____ 36° / 24°
Luminous Flux _____ 3600 Lm
Efficiency _____ 80 Lm/W
Material _____ Aluminium Die-Cast

DRIVE SYSTEM

	Driver	Voltage	Current
Single Colour	Eaglerise	36V	1200mA
Dimmable	TRIAC	36V	1200mA
Smart	Sigmesh (Bluetooth Based)	36V	1200mA
	Zigbee (Wifi Based)	36V	1200mA
Dali	Dt 6	36V	1200mA
	Dt 8	36V	1200mA

Finish

White | Black



DIMMING & TUNING TECHNOLOGY

 RF 2.4G + BLE TRIAC/PHASE CUT ZIGBEE

LUMA



LUMA 7W

APPLICATION

IP Rating
IP20

Recommended Use
Indoor Use

Installation
Recessed Ceiling
Mounting

TECHNICAL SPECIFICATIONS

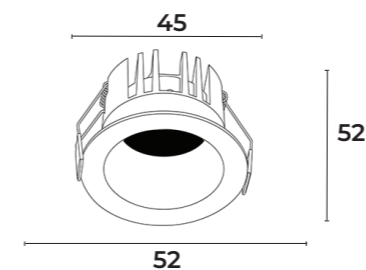
LED Light Source _____ Ledvance | Cree Pro | Tyanshine
CCT _____ 3000K | 4000K | 6000K | 2700K - 6500K Tunable
CRI _____ >90
Lens _____ 36° / 24° / 15°
Luminous Flux _____ 560 Lm
Efficiency _____ 80 Lm/W
Material _____ Aluminium Die-Cast

DRIVE SYSTEM

	Driver	Voltage	Current
Single Colour	Eaglerise	36V	150mA
Dimmable	TRIAC	36V	150mA
Smart	Sigmesh (Bluetooth Based)	36V	150mA
	Zigbee (Wifi Based)	36V	150mA
Dali	Dt 6	36V	150mA
	Dt 8	36V	150mA

Finish

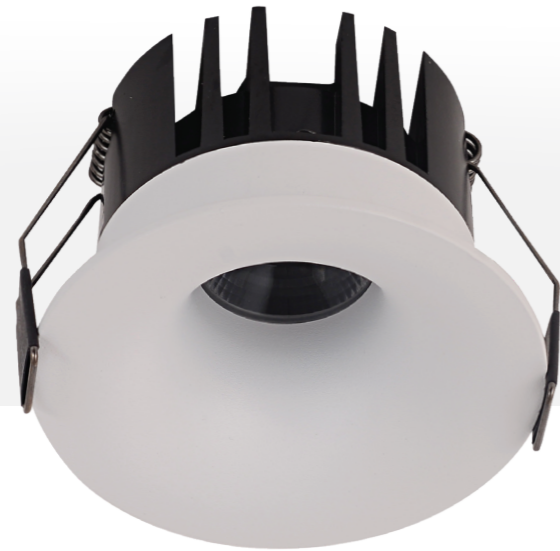
White | Black



DIMMING & TUNING TECHNOLOGY

 RF 2.4G + BLE TRIAC/PHASE CUT ZIGBEE

LUMA



LUMA 12W

APPLICATION

IP Rating
IP20

Recommended Use
Indoor Use

Installation
Recessed Ceiling
Mounting

TECHNICAL SPECIFICATIONS

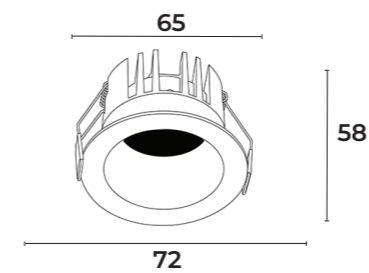
LED Light Source _____ Ledvance | Cree Pro | Tyanshine
CCT _____ 3000K | 4000K | 6000K | 2700K - 6500K Tunable
CRI _____ >90
Lens _____ 36° / 24° / 15°
Luminous Flux _____ 960 Lm
Efficiency _____ 80 Lm/W
Material _____ Aluminium Die-Cast

DRIVE SYSTEM

	Driver	Voltage	Current
Single Colour	Eaglerise	36V	300mA
Dimmable	TRIAC	36V	300mA
Smart	Sigmesh (Bluetooth Based)	36V	300mA
	Zigbee (Wifi Based)	36V	300mA
Dali	Dt 6	36V	300mA
	Dt 8	36V	300mA

Finish

White | Black



DIMMING & TUNING TECHNOLOGY

 RF 2.4G + BLE TRIAC/PHASE CUT ZIGBEE

LUMA



LUMA 15W

APPLICATION

IP Rating
IP20

Recommended Use
Indoor Use

Installation
Recessed Ceiling
Mounting

TECHNICAL SPECIFICATIONS

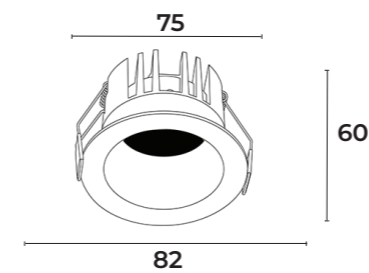
LED Light Source _____ Ledvance | Cree Pro | Tyanshine
CCT _____ 3000K | 4000K | 6000K | 2700K - 6500K Tunable
CRI _____ >90
Lens _____ 36° / 24° / 15°
Luminous Flux _____ 1200 Lm
Efficiency _____ 80 Lm/W
Material _____ Aluminium Die-Cast

DRIVE SYSTEM

	Driver	Voltage	Current
Single Colour	Eaglerise	36V	350mA
Dimmable	TRIAC	36V	350mA
Smart	Sigmesh (Bluetooth Based)	36V	350mA
	Zigbee (Wifi Based)	36V	350mA
Dali	Dt 6	36V	350mA
	Dt 8	36V	350mA

Finish

White | Black



DIMMING & TUNING TECHNOLOGY

 RF 2.4G + BLE TRIAC/PHASE CUT ZIGBEE

LUMA



LUMA 20W

APPLICATION

IP Rating
IP20

Recommended Use
Indoor Use

Installation
Recessed Ceiling
Mounting

TECHNICAL SPECIFICATIONS

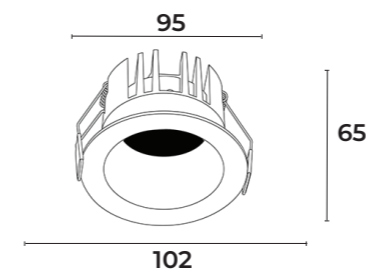
LED Light Source _____ Ledvance | Cree Pro | Tyanshine
CCT _____ 3000K | 4000K | 6000K | 2700K - 6500K Tunable
CRI _____ >90
Lens _____ 36° / 24° / 15°
Luminous Flux _____ 1600 Lm
Efficiency _____ 80 Lm/W
Material _____ Aluminium Die-Cast

DRIVE SYSTEM

	Driver	Voltage	Current
Single Colour	Eaglerise	36V	500mA
Dimmable	TRIAC	36V	500mA
Smart	Sigmesh (Bluetooth Based)	36V	500mA
	Zigbee (Wifi Based)	36V	500mA
Dali	Dt 6	36V	500mA
	Dt 8	36V	500mA

Finish

White | Black



DIMMING & TUNING TECHNOLOGY

 RF 2.4G + BLE TRIAC/PHASE CUT ZIGBEE

COSMO

COSMO 10W



APPLICATION

IP Rating
IP20

Recommended Use
Indoor Use

Installation
Recessed Ceiling
Mounting

TECHNICAL SPECIFICATIONS

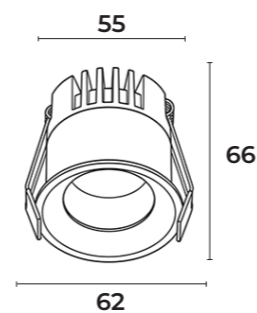
LED Light Source _____ Ledvance | Cree Pro | Tyanshine
CCT _____ 3000K | 4000K | 6000K | 2700K - 6500K Tunable
CRI _____ >90
Lens _____ 36° / 24° / 15°
Luminous Flux _____ 800 Lm
Efficiency _____ 80 Lm/W
Material _____ Aluminium Die-Cast

DRIVE SYSTEM

	Driver	Voltage	Current
Single Colour	Eaglerise	36V	250mA
Dimmable	TRIAC	36V	250mA
Smart	Sigmesh (Bluetooth Based)	36V	250mA
	Zigbee (Wifi Based)	36V	250mA
Dali	Dt 6	36V	250mA
	Dt 8	36V	250mA

Finish

White | Gun Black



DIMMING & TUNING TECHNOLOGY

 RF 2.4G + BLE TRIAC/PHASE CUT ZIGBEE

COSMO



COSMO 12W

APPLICATION

IP Rating
IP20

Recommended Use
Indoor Use

Installation
Recessed Ceiling
Mounting

TECHNICAL SPECIFICATIONS

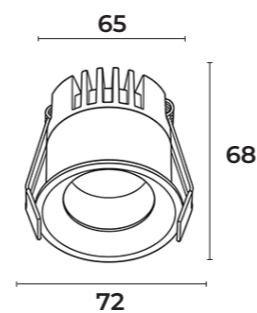
LED Light Source _____ Ledvance | Cree Pro | Tyanshine
CCT _____ 3000K | 4000K | 6000K | 2700K - 6500K Tunable
CRI _____ >90
Lens _____ 36° / 24° / 15°
Luminous Flux _____ 960 Lm
Efficiency _____ 80 Lm/W
Material _____ Aluminium Die-Cast

DRIVE SYSTEM

	Driver	Voltage	Current
Single Colour	Eaglerise	36V	300mA
Dimmable	TRIAC	36V	300mA
Smart	Sigmesh (Bluetooth Based)	36V	300mA
	Zigbee (Wifi Based)	36V	300mA
Dali	Dt 6	36V	300mA
	Dt 8	36V	300mA

Finish

White | Gun Black



DIMMING & TUNING TECHNOLOGY

 RF 2.4G + BLE TRIAC/PHASE CUT ZIGBEE

COSMO



COSMO 15W

APPLICATION

IP Rating
IP20

Recommended Use
Indoor Use

Installation
Recessed Ceiling
Mounting

TECHNICAL SPECIFICATIONS

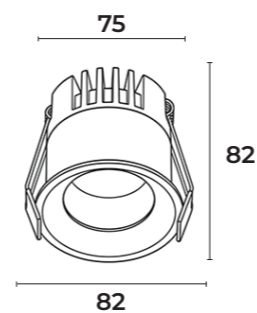
LED Light Source _____ Ledvance | Cree Pro | Tyanshine
CCT _____ 3000K | 4000K | 6000K | 2700K - 6500K Tunable
CRI _____ >90
Lens _____ 36° / 24° / 15°
Luminous Flux _____ 1500 Lm
Efficiency _____ 80 Lm/W
Material _____ Aluminium Die-Cast

DRIVE SYSTEM

	Driver	Voltage	Current
Single Colour	Eaglerise	36V	350mA
Dimmable	TRIAC	36V	350mA
Smart	Sigmesh (Bluetooth Based)	36V	350mA
	Zigbee (Wifi Based)	36V	350mA
Dali	Dt 6	36V	350mA
	Dt 8	36V	350mA

Finish

White | Gun Black



DIMMING & TUNING TECHNOLOGY

 RF 2.4G + BLE TRIAC/PHASE CUT ZIGBEE

JONO



JONO 7W

APPLICATION

IP Rating
IP20

Recommended Use
Indoor Use

Installation
Recessed Ceiling
Mounting

TECHNICAL SPECIFICATIONS

LED Light Source _____ Ledvance | Cree Pro | Tyanshine

CCT _____ 3000K | 4000K | 6000K | 2700K - 6500K Tunable

CRI _____ >90

Lens _____ 36° / 24° / 15°

Luminous Flux _____ 560 Lm

Efficiency _____ 80 Lm/W

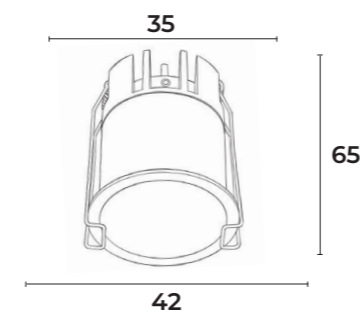
Material _____ Aluminium Die-Cast

DRIVE SYSTEM

	Driver	Voltage	Current
Single Colour	Eaglerise	36V	150mA
Dimmable	TRIAC	36V	150mA
Smart	Sigmesh (Bluetooth Based)	36V	150mA
	Zigbee (Wifi Based)	36V	150mA
Dali	Dt 6	36V	150mA
	Dt 8	36V	150mA

Finish

White



DIMMING & TUNING TECHNOLOGY

 RF 2.4G + BLE TRIAC/PHASE CUT ZIGBEE

JONO

JONO 12W



APPLICATION

IP Rating
IP20

Recommended Use
Indoor Use

Installation
Recessed Ceiling
Mounting

TECHNICAL SPECIFICATIONS

LED Light Source _____ Ledvance | Cree Pro | Tyanshine

CCT _____ 3000K | 4000K | 6000K | 2700K - 6500K Tunable

CRI _____ >90

Lens _____ 36° / 24° / 15°

Luminous Flux _____ 960 Lm

Efficiency _____ 80 Lm/W

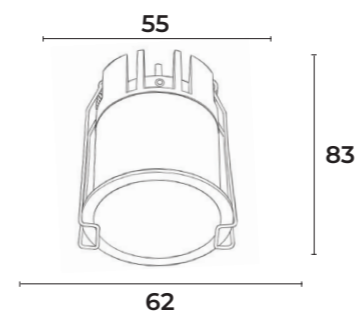
Material _____ Aluminium Die-Cast

DRIVE SYSTEM

	Driver	Voltage	Current
Single Colour	Eaglerise	36V	300mA
Dimmable	TRIAC	36V	300mA
Smart	Sigmesh (Bluetooth Based)	36V	300mA
	Zigbee (Wifi Based)	36V	300mA
Dali	Dt 6	36V	300mA
	Dt 8	36V	300mA

Finish

White



DIMMING & TUNING TECHNOLOGY

 RF 2.4G + BLE TRIAC/PHASE CUT ZIGBEE

JONO

JONO 15W



APPLICATION

IP Rating
IP20

Recommended Use
Indoor Use

Installation
Recessed Ceiling
Mounting

TECHNICAL SPECIFICATIONS

LED Light Source _____ Ledvance | Cree Pro | Tyanshine

CCT _____ 3000K | 4000K | 6000K | 2700K - 6500K Tunable

CRI _____ >90

Lens _____ 36° / 24° / 15°

Luminous Flux _____ 1200 Lm

Efficiency _____ 80 Lm/W

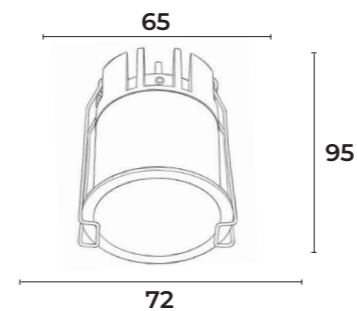
Material _____ Aluminium Die-Cast

DRIVE SYSTEM

	Driver	Voltage	Current
Single Colour	Eaglerise	36V	350mA
Dimmable	TRIAC	36V	350mA
Smart	Sigmesh (Bluetooth Based)	36V	350mA
	Zigbee (Wifi Based)	36V	350mA
Dali	Dt 6	36V	350mA
	Dt 8	36V	350mA

Finish

White



DIMMING & TUNING TECHNOLOGY



RF 2.4G + BLE TRIAC/PHASE CUT ZIGBEE

JONO



JONO 18W

APPLICATION

IP Rating
IP20

Recommended Use
Indoor Use

Installation
Recessed Ceiling
Mounting

TECHNICAL SPECIFICATIONS

LED Light Source _____ Ledvance | Cree Pro | Tyanshine

CCT _____ 3000K | 4000K | 6000K | 2700K - 6500K Tunable

CRI _____ >90

Lens _____ 36° / 24° / 15°

Luminous Flux _____ 1440 Lm

Efficiency _____ 80 Lm/W

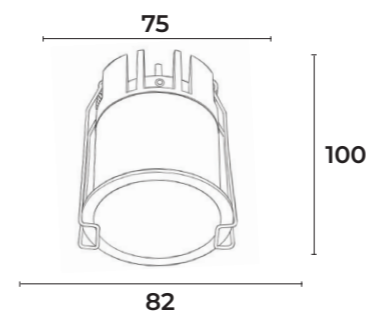
Material _____ Aluminium Die-Cast

DRIVE SYSTEM

	Driver	Voltage	Current
Single Colour	Eaglerise	36V	450mA
Dimmable	TRIAC	36V	450mA
Smart	Sigmesh (Bluetooth Based)	36V	450mA
	Zigbee (Wifi Based)	36V	450mA
Dali	Dt 6	36V	450mA
	Dt 8	36V	450mA

Finish

White



DIMMING & TUNING TECHNOLOGY

 RF 2.4G + BLE TRIAC/PHASE CUT ZIGBEE



Lights with elegance, class & modesty

EON

EON 5W



APPLICATION

IP Rating
IP20

Recommended Use
Indoor Use

Installation
Recessed Ceiling
Mounting

TECHNICAL SPECIFICATIONS

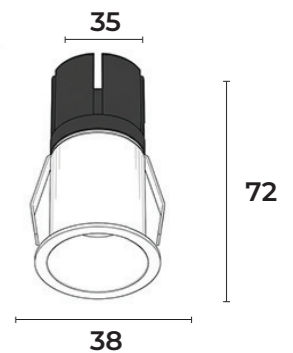
LED Light Source _____ Ledvance | Cree Pro | Tyanshine
CCT _____ 3000K | 4000K | 6000K | 2700K - 6500K Tunable
CRI _____ >90
Lens _____ 36° / 24° / 15°
Luminous Flux _____ 400 Lm
Efficiency _____ 80 Lm/W
Material _____ Aluminium Die-Cast

DRIVE SYSTEM

	Driver	Voltage	Current
Single Colour	Eaglerise	36V	120mA
Dimmable	TRIAC	36V	120mA
Smart	Sigmesh (Bluetooth Based)	36V	120mA
	Zigbee (Wifi Based)	36V	120mA
Dali	Dt 6	36V	120mA
	Dt 8	36V	150mA

DIMMING & TUNING TECHNOLOGY

RF 2.4G + BLE TRIAC/PHASE CUT ZIGBEE



Finish

White | Black

EON

EON 10W



APPLICATION

IP Rating
IP20

Recommended Use
Indoor Use

Installation
Recessed Ceiling
Mounting

TECHNICAL SPECIFICATIONS

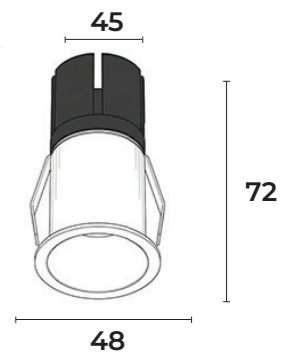
LED Light Source _____ Ledvance | Cree Pro | Tyanshine
CCT _____ 3000K | 4000K | 6000K | 2700K - 6500K Tunable
CRI _____ >90
Lens _____ 36° / 24° / 15°
Luminous Flux _____ 720 Lm
Efficiency _____ 80 Lm/W
Material _____ Aluminium Die-Cast

DRIVE SYSTEM

	Driver	Voltage	Current
Single Colour	Eaglerise	36V	250mA
Dimmable	TRIAC	36V	250mA
Smart	Sigmesh (Bluetooth Based)	36V	250mA
	Zigbee (Wifi Based)	36V	250mA
Dali	Dt 6	36V	250mA
	Dt 8	36V	250mA

DIMMING & TUNING TECHNOLOGY

RF 2.4G + BLE TRIAC/PHASE CUT ZIGBEE



Finish

White | Black

EON



EON 15W



APPLICATION

IP Rating
IP20

Recommended Use
Indoor Use

Installation
Recessed Ceiling
Mounting

TECHNICAL SPECIFICATIONS

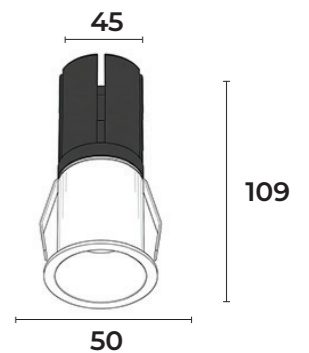
LED Light Source _____ Ledvance | Cree Pro | Tyanshine
CCT _____ 3000K | 4000K | 6000K | 2700K - 6500K Tunable
CRI _____ >90
Lens _____ 36° / 24° / 15°
Luminous Flux _____ 1200 Lm
Efficiency _____ 80 Lm/W
Material _____ Aluminium Die-Cast

DRIVE SYSTEM

	Driver	Voltage	Current
Single Colour	Eaglerise	36V	350mA
Dimmable	TRIAC	36V	350mA
Smart	Sigmesh (Bluetooth Based)	36V	350mA
	Zigbee (Wifi Based)	36V	350mA
Dali	Dt 6	36V	350mA
	Dt 8	36V	350mA

DIMMING & TUNING TECHNOLOGY

RF 2.4G + BLE TRIAC/PHASE CUT ZIGBEE



Finish
White | Black
○ ●

ELITE



ELITE 5W

APPLICATION

IP Rating
IP20

Recommended Use
Indoor Use

Installation
Recessed Ceiling
Mounting

TECHNICAL SPECIFICATIONS

LED Light Source _____ Ledvance | Cree Pro | Tyanshine

CCT _____ 3000K | 4000K | 6000K | 2700K - 6500K Tunable

CRI _____ >90

Lens _____ 36° / 24° / 15°

Luminous Flux _____ 450 Lm

Efficiency _____ 90 Lm/W

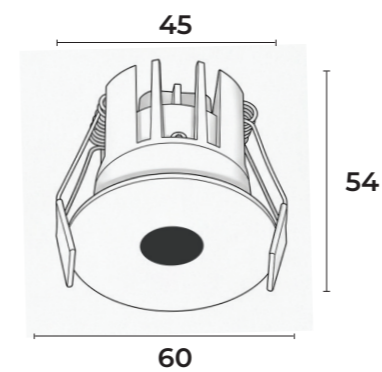
Material _____ Aluminium Die-Cast

DRIVE SYSTEM

	Driver	Voltage	Current
Single Colour	Eaglerise	36V	120mA
Dimmable	TRIAC	36V	120mA
Smart	Sigmesh (Bluetooth Based)	36V	120mA
	Zigbee (Wifi Based)	36V	120mA
Dali	Dt 6	36V	120mA
	Dt 8	36V	120mA

Finish

White | Black

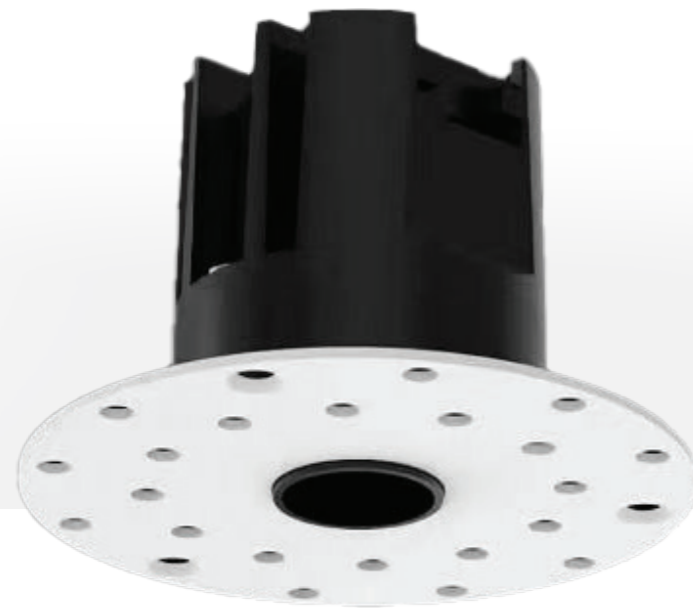


DIMMING & TUNING TECHNOLOGY

 RF 2.4G + BLE TRIAC/PHASE CUT ZIGBEE

ELITE TL

ELITE 5W TL



APPLICATION

IP Rating
IP20

Recommended Use
Indoor Use

Installation
Recessed Ceiling
Mounting

TECHNICAL SPECIFICATIONS

LED Light Source _____ Ledvance | Cree Pro | Tyanshine

CCT _____ 3000K | 4000K | 6000K | 2700K - 6500K Tunable

CRI _____ >90

Lens _____ 36° / 24° / 15°

Luminous Flux _____ 450 Lm

Efficiency _____ 90 Lm/W

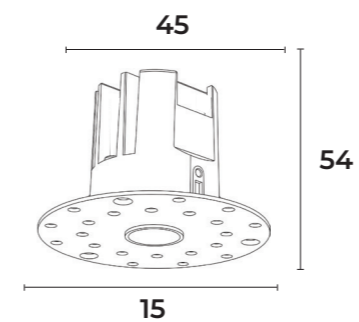
Material _____ Aluminium Die-Cast

DRIVE SYSTEM

	Driver	Voltage	Current
Single Colour	Eaglerise	36V	120mA
Dimmable	TRIAC	36V	120mA
Smart	Sigmesh (Bluetooth Based)	36V	120mA
	Zigbee (Wifi Based)	36V	120mA
Dali	Dt 6	36V	120mA
	Dt 8	36V	120mA

Finish

White + Black



DIMMING & TUNING TECHNOLOGY

 RF 2.4G + BLE TRIAC/PHASE CUT ZIGBEE

ELITE



ELITE 10W

APPLICATION

IP Rating
IP20

Recommended Use
Indoor Use

Installation
Recessed Ceiling
Mounting

TECHNICAL SPECIFICATIONS

LED Light Source _____ Ledvance | Cree Pro | Tyanshine

CCT _____ 3000K | 4000K | 6000K | 2700K - 6500K Tunable

CRI _____ >90

Lens _____ 36° / 24° / 15°

Luminous Flux _____ 750 Lm

Efficiency _____ 75 Lm/W

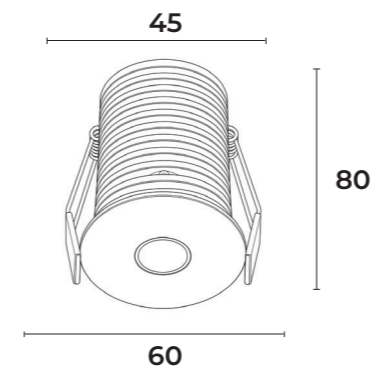
Material _____ Aluminium Die-Cast

DRIVE SYSTEM

	Driver	Voltage	Current
Single Colour	Eaglerise	36V	250mA
Dimmable	TRIAC	36V	250mA
Smart	Sigmesh (Bluetooth Based)	36V	250mA
	Zigbee (Wifi Based)	36V	250mA
Dali	Dt 6	36V	250mA
	Dt 8	36V	250mA

Finish

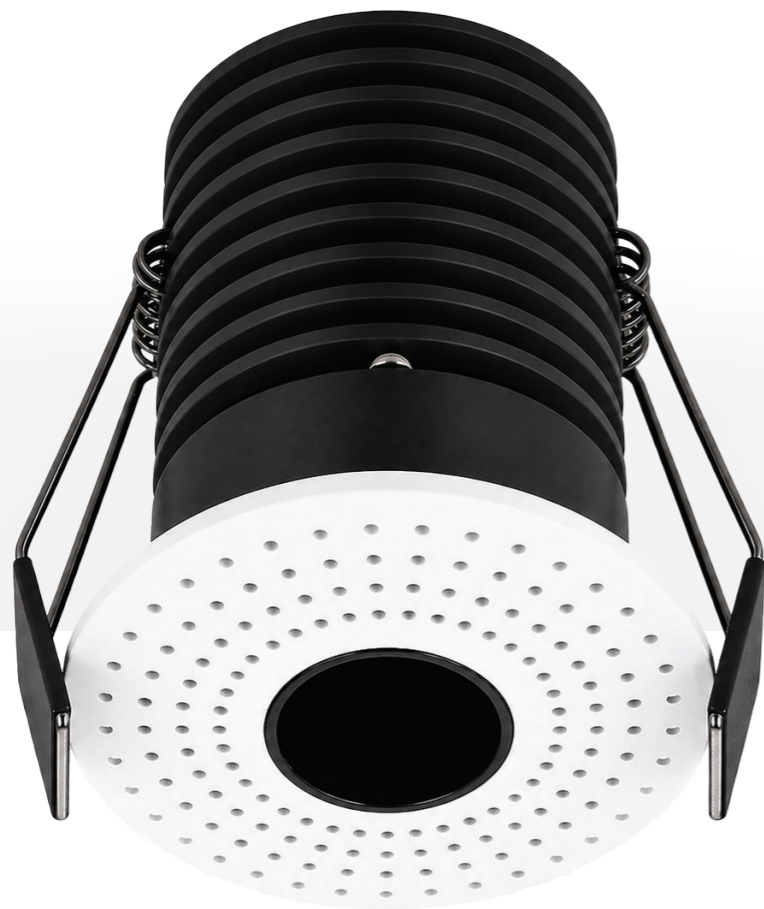
White | Black



DIMMING & TUNING TECHNOLOGY

 RF 2.4G + BLE TRIAC/PHASE CUT ZIGBEE

ELITE TL



ELITE 10W TL

APPLICATION

IP Rating
IP20

Recommended Use
Indoor Use

Installation
Recessed Ceiling
Mounting

TECHNICAL SPECIFICATIONS

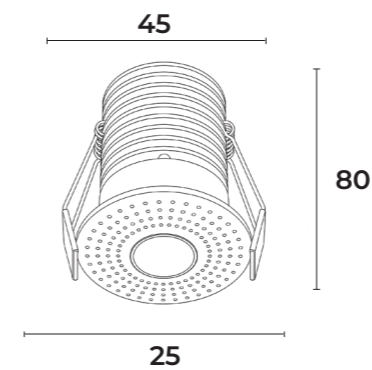
LED Light Source _____ Ledvance | Cree Pro | Tyanshine
CCT _____ 3000K | 4000K | 6000K | 2700K - 6500K Tunable
CRI _____ >90
Lens _____ 36° / 24° / 15°
Luminous Flux _____ 750 Lm
Efficiency _____ 75 Lm/W
Material _____ Aluminium Die-Cast

DRIVE SYSTEM

	Driver	Voltage	Current
Single Colour	Eaglerise	36V	250mA
Dimmable	TRIAC	36V	250mA
Smart	Sigmesh (Bluetooth Based)	36V	250mA
	Zigbee (Wifi Based)	36V	250mA
Dali	Dt 6	36V	250mA
	Dt 8	36V	250mA

Finish

White + Black



DIMMING & TUNING TECHNOLOGY

 RF 2.4G + BLE TRIAC/PHASE CUT ZIGBEE

ELITE



ELITE 15W

APPLICATION

IP Rating
IP20

Recommended Use
Indoor Use

Installation
Recessed Ceiling Mounting

TECHNICAL SPECIFICATIONS

LED Light Source _____ Ledvance | Cree Pro | Tyanshine

CCT _____ 3000K | 4000K | 6000K | 2700K - 6500K Tunable

CRI _____ >90

Lens _____ 36° / 24° / 15°

Luminous Flux _____ 1125 Lm

Efficiency _____ 75 Lm/W

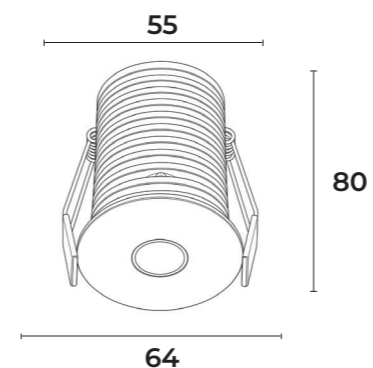
Material _____ Aluminium Die-Cast

DRIVE SYSTEM

	Driver	Voltage	Current
Single Colour	Eaglerise	36V	350mA
Dimmable	TRIAC	36V	350mA
Smart	Sigmesh (Bluetooth Based)	36V	350mA
	Zigbee (Wifi Based)	36V	350mA
Dali	Dt 6	36V	350mA
	Dt 8	36V	350mA

Finish

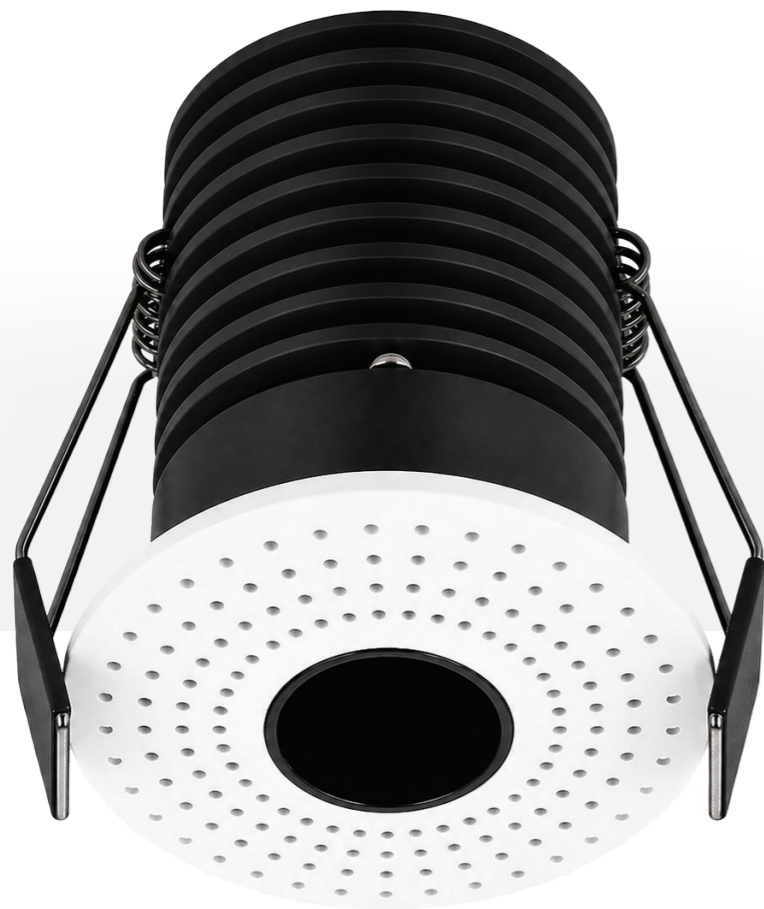
White | Black



DIMMING & TUNING TECHNOLOGY

 RF 2.4G + BLE TRIAC/PHASE CUT ZIGBEE

ELITE TL



ELITE 15W TL

APPLICATION

IP Rating
IP20

Recommended Use
Indoor Use

Installation
Recessed Ceiling
Mounting

TECHNICAL SPECIFICATIONS

LED Light Source _____ Ledvance | Cree Pro | Tyanshine

CCT _____ 3000K | 4000K | 6000K | 2700K - 6500K Tunable

CRI _____ >90

Lens _____ 36° / 24° / 15°

Luminous Flux _____ 1125 Lm

Efficiency _____ 75 Lm/W

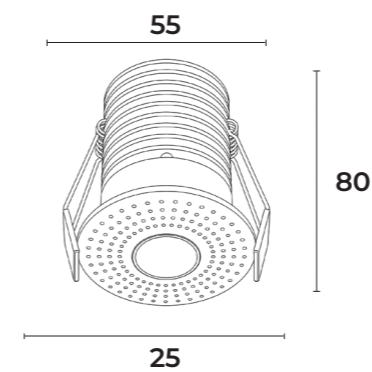
Material _____ Aluminium Die-Cast

DRIVE SYSTEM

	Driver	Voltage	Current
Single Colour	Eaglerise	36V	350mA
Dimmable	TRIAC	36V	350mA
Smart	Sigmesh (Bluetooth Based)	36V	350mA
	Zigbee (Wifi Based)	36V	350mA
Dali	Dt 6	36V	350mA
	Dt 8	36V	350mA

Finish

White + Black



DIMMING & TUNING TECHNOLOGY

 RF 2.4G + BLE TRIAC/PHASE CUT ZIGBEE

SATURN



SATURN 5W

APPLICATION

IP Rating

IP20

Recommended Use

Indoor Use

Installation

Recessed Ceiling
Mounting

TECHNICAL SPECIFICATIONS

LED Light Source _____ Ledvance | Cree Pro | Tyanshine

CCT _____ 3000K | 4000K | 6000K | 2700K - 6500K Tunable

CRI _____ >90

Lens _____ 36° / 24° / 15°

Luminous Flux _____ 450 Lm

Efficiency _____ 90 Lm/W

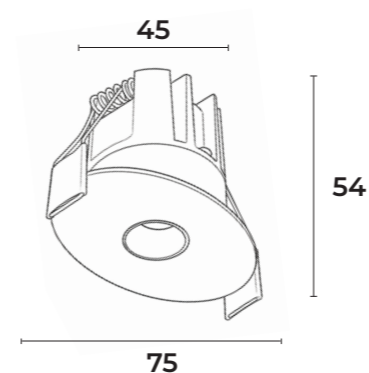
Material _____ Aluminium Die-Cast

DRIVE SYSTEM

	Driver	Voltage	Current
Single Colour	Eaglerise	36V	120mA
Dimmable	TRIAC	36V	120mA
Smart	Sigmesh (Bluetooth Based)	36V	120mA
	Zigbee (Wifi Based)	36V	120mA
Dali	Dt 6	36V	120mA
	Dt 8	36V	120mA

Finish

White | Black



DIMMING & TUNING TECHNOLOGY



RF 2.4G + BLE TRIAC/PHASE CUT ZIGBEE

SATURN



SATURN 10W

APPLICATION

- IP Rating**
IP20
- Recommended Use**
Indoor Use
- Installation**
Recessed Ceiling Mounting

TECHNICAL SPECIFICATIONS

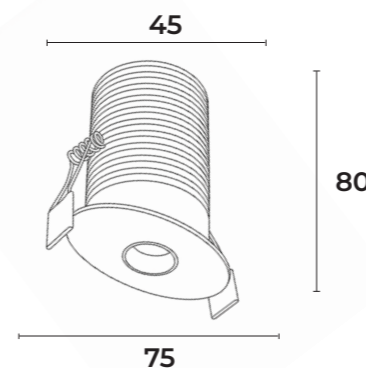
- LED Light Source** _____ Ledvance | Cree Pro | Tyanshine
- CCT** _____ 3000K | 4000K | 6000K | 2700K - 6500K Tunable
- CRI** _____ >90
- Lens** _____ 36° / 24° / 15°
- Luminous Flux** _____ 750 Lm
- Efficiency** _____ 75 Lm/W
- Material** _____ Aluminium Die-Cast

DRIVE SYSTEM

	Driver	Voltage	Current
Single Colour	Eaglerise	36V	250mA
Dimmable	TRIAC	36V	250mA
Smart	Sigmesh (Bluetooth Based)	36V	250mA
	Zigbee (Wifi Based)	36V	250mA
Dali	Dt 6	36V	250mA
	Dt 8	36V	250mA

Finish

White | Black



DIMMING & TUNING TECHNOLOGY

 RF 2.4G + BLE TRIAC/PHASE CUT ZIGBEE



Illumination that inspires...

ALBA



ALBA 10W

APPLICATION

IP Rating
IP20

Recommended Use
Indoor Use

Installation
Recessed Ceiling
Mounting

TECHNICAL SPECIFICATIONS

LED Light Source _____ Ledvance | Cree Pro | Tyanshine

CCT _____ 3000K | 4000K | 6000K | 2700K - 6500K Tunable

CRI _____ >90

Lens _____ 36° / 24° / 15°

Luminous Flux _____ 800 Lm

Efficiency _____ 80 Lm/W

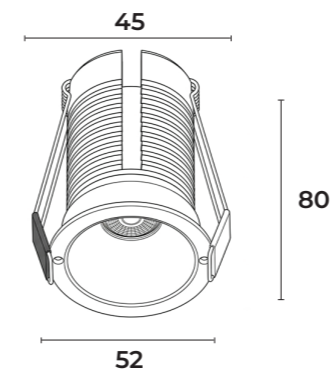
Material _____ Aluminium Die-Cast

DRIVE SYSTEM

	Driver	Voltage	Current
Single Colour	Eaglerise	36V	250mA
Dimmable	TRIAC	36V	250mA
Smart	Sigmesh (Bluetooth Based)	36V	250mA
	Zigbee (Wifi Based)	36V	250mA
Dali	Dt 6	36V	250mA
	Dt 8	36V	250mA

Finish

White | Black



DIMMING & TUNING TECHNOLOGY

 RF 2.4G + BLE TRIAC/PHASE CUT ZIGBEE

ALBA



ALBA 15W

APPLICATION

IP Rating
IP20

Recommended Use
Indoor Use

Installation
Recessed Ceiling
Mounting

TECHNICAL SPECIFICATIONS

LED Light Source _____ Ledvance | Cree Pro | Tyanshine

CCT _____ 3000K | 4000K | 6000K | 2700K - 6500K Tunable

CRI _____ >90

Lens _____ 36° / 24° / 15°

Luminous Flux _____ 1200 Lm

Efficiency _____ 80 Lm/W

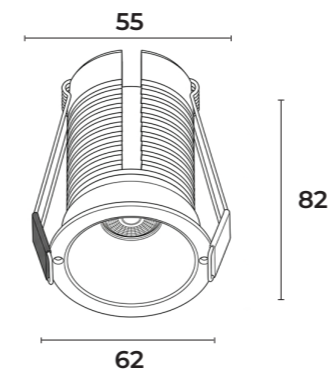
Material _____ Aluminium Die-Cast

DRIVE SYSTEM

	Driver	Voltage	Current
Single Colour	Eaglerise	36V	350mA
Dimmable	TRIAC	36V	350mA
Smart	Sigmesh (Bluetooth Based)	36V	350mA
	Zigbee (Wifi Based)	36V	350mA
Dali	Dt 6	36V	350mA
	Dt 8	36V	350mA

Finish

White | Black



DIMMING & TUNING TECHNOLOGY

 RF 2.4G + BLE TRIAC/PHASE CUT ZIGBEE

NEBULA



NEBULA 10W



APPLICATION

IP Rating
IP20

Recommended Use
Indoor Use

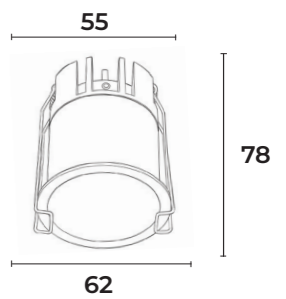
Installation
Recessed Ceiling
Mounting

TECHNICAL SPECIFICATIONS

LED Light Source _____ Ledvance | Cree Pro | Tyanshine
CCT _____ 3000K | 4000K | 6000K | 2700K - 6500K Tunable
CRI _____ >90
Lens _____ 36° / 24° / 15°
Luminous Flux _____ 720 Lm
Efficiency _____ 80 Lm/W
Material _____ Aluminium Die-Cast

DRIVE SYSTEM

	Driver	Voltage	Current
Single Colour	Eaglerise	36V	250mA
Dimmable	TRIAC	36V	250mA
Smart	Sigmesh (Bluetooth Based)	36V	250mA
	Zigbee (Wifi Based)	36V	250mA
Dali	Dt 6	36V	250mA
	Dt 8	36V	250mA



Finish
White | Black

○ ●

DIMMING & TUNING TECHNOLOGY

RF 2.4G + BLE TRIAC/PHASE CUT ZIGBEE

NEBULA

NEBULA 12W



APPLICATION

IP Rating
IP20

Recommended Use
Indoor Use

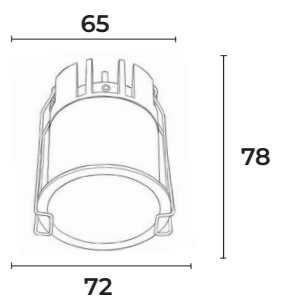
Installation
Recessed Ceiling
Mounting

TECHNICAL SPECIFICATIONS

LED Light Source _____ Ledvance | Cree Pro | Tyanshine
CCT _____ 3000K | 4000K | 6000K | 2700K - 6500K Tunable
CRI _____ >90
Lens _____ 36° / 24° / 15°
Luminous Flux _____ 960 Lm
Efficiency _____ 80 Lm/W
Material _____ Aluminium Die-Cast

DRIVE SYSTEM

	Driver	Voltage	Current
Single Colour	Eaglerise	36V	300mA
Dimmable	TRIAC	36V	300mA
Smart	Sigmesh (Bluetooth Based)	36V	300mA
	Zigbee (Wifi Based)	36V	300mA
Dali	Dt 6	36V	300mA
	Dt 8	36V	300mA



Finish
White | Black

○ ●

DIMMING & TUNING TECHNOLOGY

RF 2.4G + BLE TRIAC/PHASE CUT ZIGBEE

NEBULA

NEBULA 15W



APPLICATION

IP Rating
IP20

Recommended Use
Indoor Use

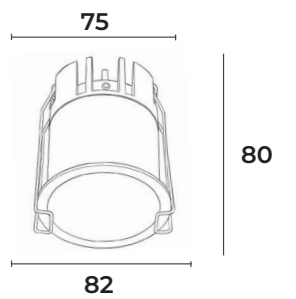
Installation
Recessed Ceiling
Mounting

TECHNICAL SPECIFICATIONS

LED Light Source _____ Ledvance | Cree Pro | Tyanshine
CCT _____ 3000K | 4000K | 6000K | 2700K - 6500K Tunable
CRI _____ >90
Lens _____ 36° / 24° / 15°
Luminous Flux _____ 1200 Lm
Efficiency _____ 80 Lm/W
Material _____ Aluminium Die-Cast

DRIVE SYSTEM

	Driver	Voltage	Current
Single Colour	Eaglerise	36V	350mA
Dimmable	TRIAC	36V	350mA
Smart	Sigmesh (Bluetooth Based)	36V	350mA
	Zigbee (Wifi Based)	36V	350mA
Dali	Dt 6	36V	350mA
	Dt 8	36V	350mA



Finish
White | Black

○ ●

DIMMING & TUNING TECHNOLOGY

RF 2.4G + BLE TRIAC/PHASE CUT ZIGBEE

HYDRA FRONT OPENABLE SERIES



HYDRA



FRONT OPENABLE

HYDRA 12W

APPLICATION

IP Rating
IP20

Recommended Use
Indoor Use

Installation
Recessed Ceiling Mounting

TECHNICAL SPECIFICATIONS

LED Light Source _____ Ledvance | Cree Pro | Tyanshine

CCT _____ 3000K | 4000K | 6000K | 2700K - 6500K Tunable

CRI _____ >90

Lens _____ 36° / 24° / 15°

Luminous Flux _____ 960 Lm

Efficiency _____ 80 Lm/W

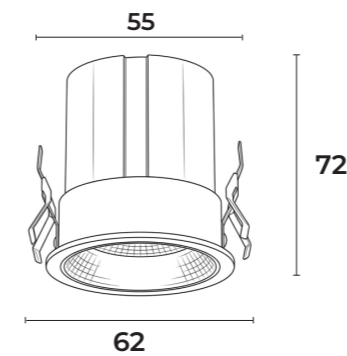
Material _____ Aluminium Die-Cast

DRIVE SYSTEM

	Driver	Voltage	Current
Single Colour	Eaglerise	36V	300mA
Dimmable	TRIAC	36V	300mA
Smart	Sigmesh (Bluetooth Based)	36V	300mA
	Zigbee (Wifi Based)	36V	300mA
Dali	Dt 6	36V	300mA
	Dt 8	36V	300mA

Finish

White + Gun Black | White + White | White + Black



HYDRA



FRONT OPENABLE

HYDRA 12W

APPLICATION

IP Rating
IP20

Recommended Use
Indoor Use

Installation
Recessed Ceiling Mounting

TECHNICAL SPECIFICATIONS

LED Light Source _____ Ledvance | Cree Pro | Tyanshine

CCT _____ 3000K | 4000K | 6000K | 2700K - 6500K Tunable

CRI _____ >90

Lens _____ 36° / 24° / 15°

Luminous Flux _____ 960 Lm

Efficiency _____ 80 Lm/W

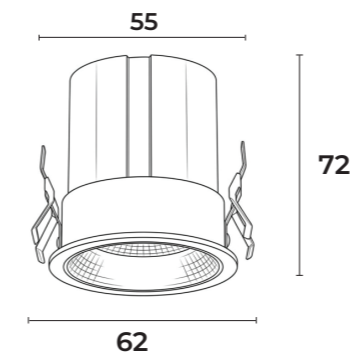
Material _____ Aluminium Die-Cast

DRIVE SYSTEM

	Driver	Voltage	Current
Single Colour	Eaglerise	36V	300mA
Dimmable	TRIAC	36V	300mA
Smart	Sigmesh (Bluetooth Based)	36V	300mA
	Zigbee (Wifi Based)	36V	300mA
Dali	Dt 6	36V	300mA
	Dt 8	36V	300mA

Finish

Black + Gun Black | Black + White | Black + Black



DIMMING & TUNING TECHNOLOGY

 RF 2.4G + BLE TRIAC/PHASE CUT ZIGBEE

HYDRA TL



FRONT OPENABLE

HYDRA 12W TL

APPLICATION

IP Rating
IP20

Recommended Use
Indoor Use

Installation
Recessed Ceiling Mounting

TECHNICAL SPECIFICATIONS

LED Light Source _____ Ledvance | Cree Pro | Tyanshine

CCT _____ 3000K | 4000K | 6000K | 2700K - 6500K Tunable

CRI _____ >90

Lens _____ 36° / 24° / 15°

Luminous Flux _____ 960 Lm

Efficiency _____ 80 Lm/W

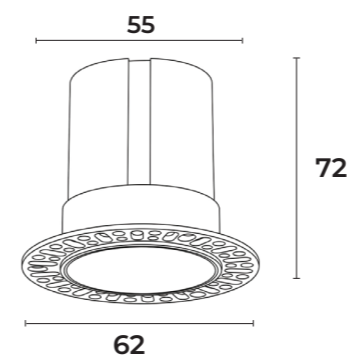
Material _____ Aluminium Die-Cast

DRIVE SYSTEM

	Driver	Voltage	Current
Single Colour	Eaglerise	36V	300mA
Dimmable	TRIAC	36V	300mA
Smart	Sigmesh (Bluetooth Based)	36V	300mA
	Zigbee (Wifi Based)	36V	300mA
Dali	Dt 6	36V	300mA
	Dt 8	36V	300mA

Finish

Gun Black | White | Black



DIMMING & TUNING TECHNOLOGY

 RF 2.4G + BLE TRIAC/PHASE CUT ZIGBEE

HYDRA



FRONT OPENABLE

HYDRA 15W

APPLICATION

IP Rating
IP20

Recommended Use
Indoor Use

Installation
Recessed Ceiling
Mounting

TECHNICAL SPECIFICATIONS

LED Light Source _____ Ledvance | Cree Pro | Tyanshine

CCT _____ 3000K | 4000K | 6000K | 2700K - 6500K Tunable

CRI _____ >90

Lens _____ 36° / 24° / 15°

Luminous Flux _____ 1200 Lm

Efficiency _____ 80 Lm/W

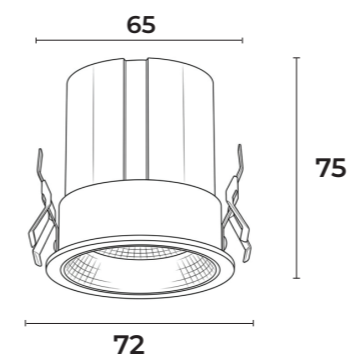
Material _____ Aluminium Die-Cast

DRIVE SYSTEM

	Driver	Voltage	Current
Single Colour	Eaglerise	36V	350mA
Dimmable	TRIAC	36V	350mA
Smart	Sigmesh (Bluetooth Based)	36V	350mA
	Zigbee (Wifi Based)	36V	350mA
Dali	Dt 6	36V	350mA
	Dt 8	36V	350mA

Finish

White + Gun Black | White + White | White + Black



DIMMING & TUNING TECHNOLOGY

 RF 2.4G + BLE TRIAC/PHASE CUT ZIGBEE

HYDRA



FRONT OPENABLE

HYDRA 15W

APPLICATION

IP Rating
IP20

Recommended Use
Indoor Use

Installation
Recessed Ceiling Mounting

TECHNICAL SPECIFICATIONS

LED Light Source _____ Ledvance | Cree Pro | Tyanshine

CCT _____ 3000K | 4000K | 6000K | 2700K - 6500K Tunable

CRI _____ >90

Lens _____ 36° / 24° / 15°

Luminous Flux _____ 1200 Lm

Efficiency _____ 80 Lm/W

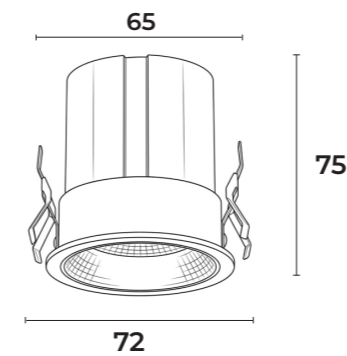
Material _____ Aluminium Die-Cast

DRIVE SYSTEM

	Driver	Voltage	Current
Single Colour	Eaglerise	36V	350mA
Dimmable	TRIAC	36V	350mA
Smart	Sigmesh (Bluetooth Based)	36V	350mA
	Zigbee (Wifi Based)	36V	350mA
Dali	Dt 6	36V	350mA
	Dt 8	36V	350mA

Finish

Black + Gun Black | Black + White | Black + Black



DIMMING & TUNING TECHNOLOGY

RF 2.4G + BLE TRIAC/PHASE CUT ZIGBEE

HYDRA TL



FRONT OPENABLE

HYDRA 15W TL

APPLICATION

IP Rating
IP20

Recommended Use
Indoor Use

Installation
Recessed Ceiling
Mounting

TECHNICAL SPECIFICATIONS

LED Light Source _____ Ledvance | Cree Pro | Tyanshine

CCT _____ 3000K | 4000K | 6000K | 2700K - 6500K Tunable

CRI _____ >90

Lens _____ 36° / 24° / 15°

Luminous Flux _____ 1200 Lm

Efficiency _____ 80 Lm/W

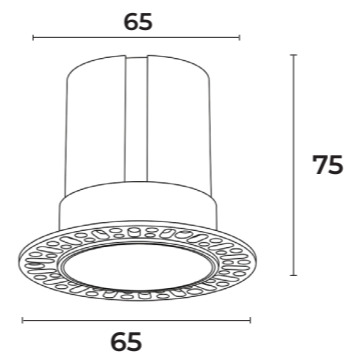
Material _____ Aluminium Die-Cast

DRIVE SYSTEM

	Driver	Voltage	Current
Single Colour	Eaglerise	36V	350mA
Dimmable	TRIAC	36V	350mA
Smart	Sigmesh (Bluetooth Based)	36V	350mA
	Zigbee (Wifi Based)	36V	350mA
Dali	Dt 6	36V	350mA
	Dt 8	36V	350mA

Finish

Gun Black | White | Black



DIMMING & TUNING TECHNOLOGY

 RF 2.4G + BLE TRIAC/PHASE CUT ZIGBEE

HYDRA



FRONT OPENABLE

HYDRA 20W

APPLICATION

IP Rating
IP20

Recommended Use
Indoor Use

Installation
Recessed Ceiling
Mounting

TECHNICAL SPECIFICATIONS

LED Light Source _____ Ledvance | Cree Pro | Tyanshine

CCT _____ 3000K | 4000K | 6000K | 2700K - 6500K Tunable

CRI _____ >90

Lens _____ 36° / 24° / 15°

Luminous Flux _____ 1600 Lm

Efficiency _____ 80 Lm/W

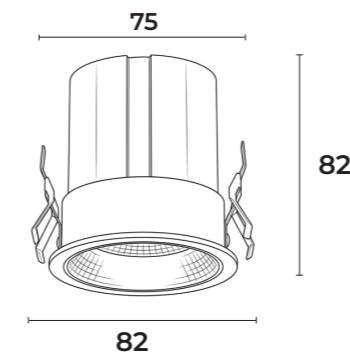
Material _____ Aluminium Die-Cast

DRIVE SYSTEM

	Driver	Voltage	Current
Single Colour	Eaglerise	36V	500mA
Dimmable	TRIAC	36V	500mA
Smart	Sigmesh (Bluetooth Based)	36V	500mA
	Zigbee (Wifi Based)	36V	350mA
Dali	Dt 6	36V	500mA
	Dt 8	36V	500mA

Finish

White + Gun Black | White + White | White + Black



DIMMING & TUNING TECHNOLOGY

 RF 2.4G + BLE TRIAC/PHASE CUT ZIGBEE

HYDRA



FRONT OPENABLE

HYDRA 20W

APPLICATION

IP Rating
IP20

Recommended Use
Indoor Use

Installation
Recessed Ceiling
Mounting

TECHNICAL SPECIFICATIONS

LED Light Source _____ Ledvance | Cree Pro | Tyanshine

CCT _____ 3000K | 4000K | 6000K | 2700K - 6500K Tunable

CRI _____ >90

Lens _____ 36° / 24° / 15°

Luminous Flux _____ 1600 Lm

Efficiency _____ 80 Lm/W

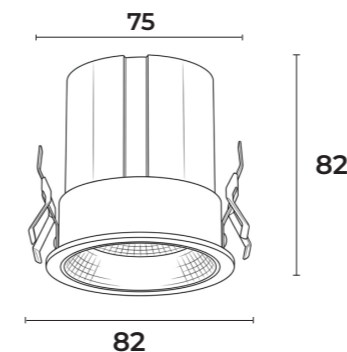
Material _____ Aluminium Die-Cast

DRIVE SYSTEM

	Driver	Voltage	Current
Single Colour	Eaglerise	36V	500mA
Dimmable	TRIAC	36V	500mA
Smart	Sigmesh (Bluetooth Based)	36V	500mA
	Zigbee (Wifi Based)	36V	500mA
Dali	Dt 6	36V	500mA
	Dt 8	36V	500mA

Finish

Black + Gun Black | Black + White | Black + Black



DIMMING & TUNING TECHNOLOGY

 RF 2.4G + BLE TRIAC/PHASE CUT ZIGBEE

HYDRA TL



FRONT OPENABLE

HYDRA 20W TL

APPLICATION

IP Rating
IP20

Recommended Use
Indoor Use

Installation
Recessed Ceiling
Mounting

TECHNICAL SPECIFICATIONS

LED Light Source _____ Ledvance | Cree Pro | Tyanshine

CCT _____ 3000K | 4000K | 6000K | 2700K - 6500K Tunable

CRI _____ >90

Lens _____ 36° / 24° / 15°

Luminous Flux _____ 1600 Lm

Efficiency _____ 80 Lm/W

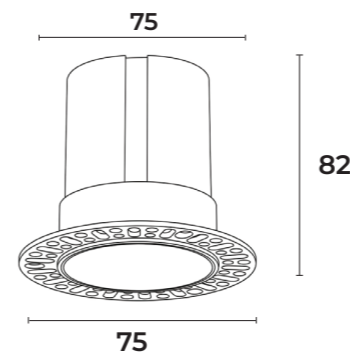
Material _____ Aluminium Die-Cast

DRIVE SYSTEM

	Driver	Voltage	Current
Single Colour	Eaglerise	36V	500mA
Dimmable	TRIAC	36V	500mA
Smart	Sigmesh (Bluetooth Based)	36V	500mA
	Zigbee (Wifi Based)	36V	500mA
Dali	Dt 6	36V	500mA
	Dt 8	36V	500mA

Finish

Gun Black | White | Black



DIMMING & TUNING TECHNOLOGY

 RF 2.4G + BLE TRIAC/PHASE CUT ZIGBEE



Light defines the soul of a room

OPAL



OPAL 15W

APPLICATION

IP Rating
IP20

Recommended Use
Indoor Use

Installation
Recessed Ceiling
Mounting

TECHNICAL SPECIFICATIONS

LED Light Source _____ Ledvance | Cree Pro | Tyanshine

CCT _____ 3000K | 4000K | 6000K | 2700K - 6500K Tunable

CRI _____ >90

Lens _____ 36° / 24° / 15°

Luminous Flux _____ 1200 Lm

Efficiency _____ 80 Lm/W

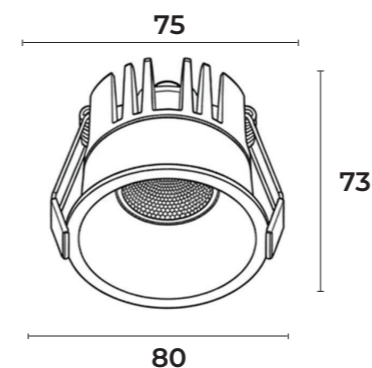
Material _____ Aluminium Die-Cast

DRIVE SYSTEM

	Driver	Voltage	Current
Single Colour	Eaglerise	36V	350mA
Dimmable	TRIAC	36V	350mA
Smart	Sigmesh (Bluetooth Based)	36V	350mA
	Zigbee (Wifi Based)	36V	350mA
Dali	Dt 6	36V	350mA
	Dt 8	36V	350mA

Finish

White | Black



DIMMING & TUNING TECHNOLOGY

 RF 2.4G + BLE TRIAC/PHASE CUT ZIGBEE

REGAL

REGAL 10W



APPLICATION

IP Rating
IP20

Recommended Use
Indoor Use

Installation
Recessed Ceiling
Mounting

TECHNICAL SPECIFICATIONS

LED Light Source _____ Ledvance | Cree Pro | Tyanshine

CCT _____ 3000K | 4000K | 6000K | 2700K - 6500K Tunable

CRI _____ >90

Lens _____ 36° / 24° / 15°

Luminous Flux _____ 800 Lm

Efficiency _____ 80 Lm/W

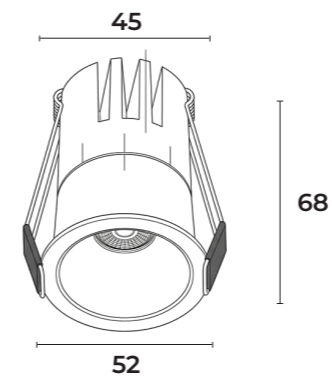
Material _____ Aluminium Die-Cast

DRIVE SYSTEM

	Driver	Voltage	Current
Single Colour	Eaglerise	36V	250mA
Dimmable	TRIAC	36V	250mA
Smart	Sigmesh (Bluetooth Based)	36V	250mA
	Zigbee (Wifi Based)	36V	250mA
Dali	Dt 6	36V	250mA
	Dt 8	36V	250mA

Finish

White + Gun Black



DIMMING & TUNING TECHNOLOGY

 RF 2.4G + BLE TRIAC/PHASE CUT ZIGBEE

REGAL

REGAL 12W



APPLICATION

IP Rating
IP20

Recommended Use
Indoor Use

Installation
Recessed Ceiling
Mounting

TECHNICAL SPECIFICATIONS

LED Light Source _____ Ledvance | Cree Pro | Tyanshine

CCT _____ 3000K | 4000K | 6000K | 2700K - 6500K Tunable

CRI _____ >90

Lens _____ 36° / 24° / 15°

Luminous Flux _____ 960 Lm

Efficiency _____ 80 Lm/W

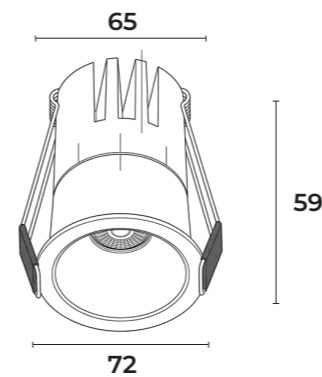
Material _____ Aluminium Die-Cast

DRIVE SYSTEM

	Driver	Voltage	Current
Single Colour	Eaglerise	36V	300mA
Dimmable	TRIAC	36V	280mA
Smart	Sigmesh (Bluetooth Based)	36V	280mA
	Zigbee (Wifi Based)	36V	280mA
Dali	Dt 6	36V	280mA
	Dt 8	36V	280mA

Finish

White + Gun Black



DIMMING & TUNING TECHNOLOGY

 RF 2.4G + BLE TRIAC/PHASE CUT ZIGBEE

REGAL

REGAL 15W



APPLICATION

IP Rating
IP20

Recommended Use
Indoor Use

Installation
Recessed Ceiling
Mounting

TECHNICAL SPECIFICATIONS

LED Light Source _____ Ledvance | Cree Pro | Tyanshine

CCT _____ 3000K | 4000K | 6000K | 2700K - 6500K Tunable

CRI _____ >90

Lens _____ 36° / 24° / 15°

Luminous Flux _____ 1200 Lm

Efficiency _____ 80 Lm/W

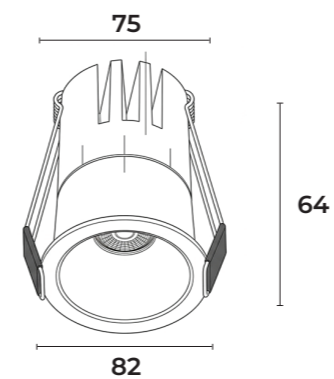
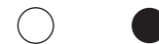
Material _____ Aluminium Die-Cast

DRIVE SYSTEM

	Driver	Voltage	Current
Single Colour	Eaglerise	36V	350mA
Dimmable	TRIAC	36V	350mA
Smart	Sigmesh (Bluetooth Based)	36V	350mA
	Zigbee (Wifi Based)	36V	350mA
Dali	Dt 6	36V	350mA
	Dt 8	36V	350mA

Finish

White + Gun Black



DIMMING & TUNING TECHNOLOGY

 RF 2.4G + BLE TRIAC/PHASE CUT ZIGBEE

NOVA

NOVA 12W



APPLICATION

IP Rating
IP20

Recommended Use
Indoor Use

Installation
Recessed Ceiling
Mounting

TECHNICAL SPECIFICATIONS

LED Light Source _____ Ledvance | Cree Pro | Tyanshine

CCT _____ 3000K | 4000K | 6000K | 2700K - 6500K Tunable

CRI _____ >90

Lens _____ 36° / 24° / 15°

Luminous Flux _____ 960 Lm

Efficiency _____ 80 Lm/W

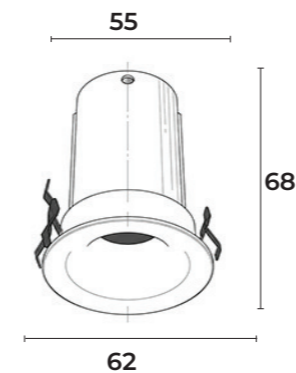
Material _____ Aluminium Die-Cast

DRIVE SYSTEM

	Driver	Voltage	Current
Single Colour	Eaglerise	36V	300mA
Dimmable	TRIAC	36V	300mA
Smart	Sigmesh (Bluetooth Based)	36V	300mA
	Zigbee (Wifi Based)	36V	300mA
Dali	Dt 6	36V	300mA
	Dt 8	36V	300mA

Finish

White



DIMMING & TUNING TECHNOLOGY

 RF 2.4G + BLE TRIAC/PHASE CUT ZIGBEE

NOVA

NOVA 15W



APPLICATION

IP Rating
IP20

Recommended Use
Indoor Use

Installation
Recessed Ceiling
Mounting

TECHNICAL SPECIFICATIONS

LED Light Source _____ Ledvance | Cree Pro | Tyanshine

CCT _____ 3000K | 4000K | 6000K | 2700K - 6500K Tunable

CRI _____ >90

Lens _____ 36° / 24° / 15°

Luminous Flux _____ 1200 Lm

Efficiency _____ 80 Lm/W

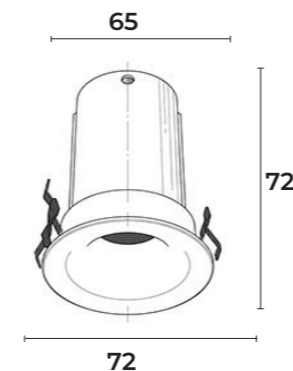
Material _____ Aluminium Die-Cast

DRIVE SYSTEM

	Driver	Voltage	Current
Single Colour	Eaglerise	36V	350mA
Dimmable	TRIAC	36V	350mA
Smart	Sigmesh (Bluetooth Based)	36V	350mA
	Zigbee (Wifi Based)	36V	350mA
Dali	Dt 6	36V	350mA
	Dt 8	36V	300mA

Finish

White



DIMMING & TUNING TECHNOLOGY

 RF 2.4G + BLE TRIAC/PHASE CUT ZIGBEE

NOVA

NOVA 20W



APPLICATION

IP Rating
IP20

Recommended Use
Indoor Use

Installation
Recessed Ceiling
Mounting

TECHNICAL SPECIFICATIONS

LED Light Source _____ Ledvance | Cree Pro | Tyanshine

CCT _____ 3000K | 4000K | 6000K | 2700K - 6500K Tunable

CRI _____ >90

Lens _____ 36° / 24° / 15°

Luminous Flux _____ 1600 Lm

Efficiency _____ 80 Lm/W

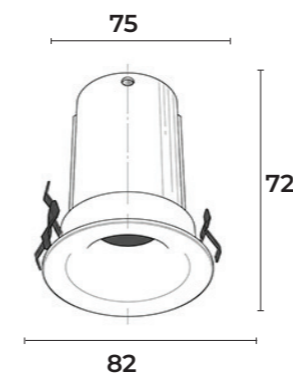
Material _____ Aluminium Die-Cast

DRIVE SYSTEM

	Driver	Voltage	Current
Single Colour	Eaglerise	36V	500mA
Dimmable	TRIAC	36V	500mA
Smart	Sigmesh (Bluetooth Based)	36V	500mA
	Zigbee (Wifi Based)	36V	500mA
Dali	Dt 6	36V	500mA
	Dt 8	36V	500mA

Finish

White



DIMMING & TUNING TECHNOLOGY

 RF 2.4G + BLE TRIAC/PHASE CUT ZIGBEE

HELIX

HELIX 7W



APPLICATION

IP Rating
IP20

Recommended Use
Indoor Use

Installation
Recessed Ceiling Mounting

TECHNICAL SPECIFICATIONS

LED Light Source _____ Ledvance | Cree Pro | Tyanshine

CCT _____ 3000K | 4000K | 6000K | 2700K - 6500K Tunable

CRI _____ >90

Lens _____ 36° / 24° / 15°

Luminous Flux _____ 560 Lm

Efficiency _____ 80 Lm/W

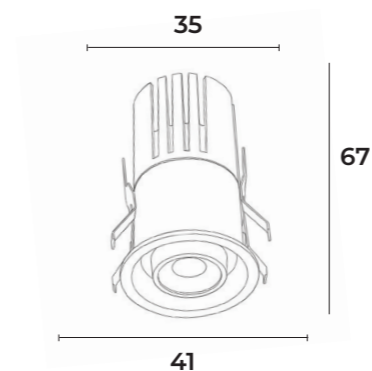
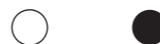
Material _____ Aluminium

DRIVE SYSTEM

	Driver	Voltage	Current
Single Colour	Eaglerise	36V	150mA
Dimmable	TRIAC	36V	150mA
Smart	Sigmesh (Bluetooth Based)	36V	150mA
	Zigbee (Wifi Based)	36V	150mA
Dali	Dt 6	36V	150mA
	Dt 8	36V	150mA

Finish

White + Gun Black



DIMMING & TUNING TECHNOLOGY

RF 2.4G + BLE TRIAC/PHASE CUT ZIGBEE

HELIX

HELIX 12W



APPLICATION

IP Rating
IP20

Recommended Use
Indoor Use

Installation
Recessed Ceiling
Mounting

TECHNICAL SPECIFICATIONS

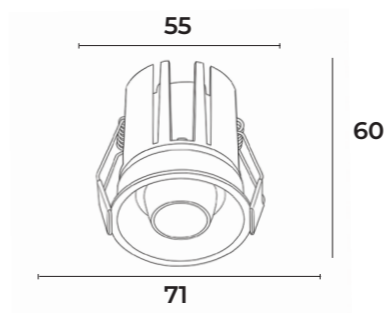
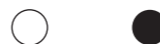
LED Light Source _____ Ledvance | Cree Pro | Tyanshine
CCT _____ 3000K | 4000K | 6000K | 2700K - 6500K Tunable
CRI _____ >90
Lens _____ 36° / 24° / 15°
Luminous Flux _____ 960 Lm
Efficiency _____ 80 Lm/W
Material _____ Aluminium

DRIVE SYSTEM

	Driver	Voltage	Current
Single Colour	Eaglerise	36V	300mA
Dimmable	TRIAC	36V	300mA
Smart	Sigmesh (Bluetooth Based)	36V	300mA
	Zigbee (Wifi Based)	36V	300mA
Dali	Dt 6	36V	300mA
	Dt 8	36V	300mA

Finish

White + Gun Black



DIMMING & TUNING TECHNOLOGY

 RF 2.4G + BLE TRIAC/PHASE CUT ZIGBEE

JMMC INDIA

Your Brand Our Responsibility

www.jmmcindia.com

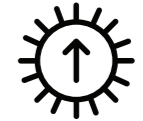
FEATURES



50,000
BURNING HOURS



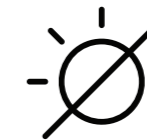
HIGH CRI >90



HIGH LUMENS



2 YEARS
WARRANTY*



ANTI GLARE



ECO FRIENDLY



FLAWLESS
COLOR, FINISHING & FEEL



ENERGY SAVING
UP TO 80%



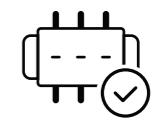
UNIVERSAL
APPLICATION



2700K & 5000K LED
AVAILABLE ON REQUEST



FLICKER FREE



FULHAM & OSRAM DRIVERS
AVAILABLE ON REQUEST

NEXA 7W

APPLICATION

IP Rating
IP20

Recommended Use
Indoor Use

Installation
Recessed Ceiling
Mounting

TECHNICAL SPECIFICATIONS

LED Light Source _____ Ledvance | Cree Pro | Tyanshine

CCT _____ 3000K | 4000K | 6000K | 2700K - 6500K Tunable

CRI _____ >90

Lens _____ 36° / 24° / 15°

Luminous Flux _____ 560 Lm

Efficiency _____ 80 Lm/W

Material _____ Aluminium Die-Cast

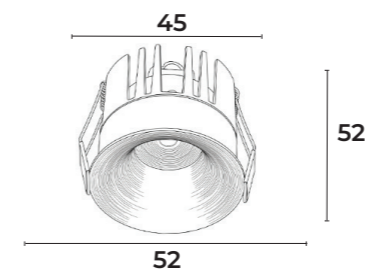
DRIVE SYSTEM

	Driver	Voltage	Current
Single Colour	Eaglerise	36V	150mA
Dimmable	TRIAC	36V	150mA
Smart	Sigmesh (Bluetooth Based)	36V	150mA
	Zigbee (Wifi Based)	36V	150mA
Dali	Dt 6	36V	150mA
	Dt 8	36V	150mA



Finish

Brass Gold



DIMMING & TUNING TECHNOLOGY

 RF 2.4G + BLE TRIAC/PHASE CUT ZIGBEE

NEXA 12W

APPLICATION

IP Rating

IP20

Recommended Use

Indoor Use

Installation

Recessed Ceiling
Mounting

TECHNICAL SPECIFICATIONS

LED Light Source _____ Ledvance | Cree Pro | Tyanshine

CCT _____ 3000K | 4000K | 6000K | 2700K - 6500K Tunable

CRI _____ >90

Lens _____ 36° / 24° / 15°

Luminous Flux _____ 960 Lm

Efficiency _____ 80 Lm/W

Material _____ Aluminium Die-Cast

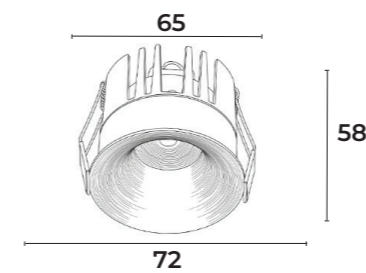


DRIVE SYSTEM

	Driver	Voltage	Current
Single Colour	Eaglerise	36V	300mA
Dimmable	TRIAC	36V	300mA
Smart	Sigmesh (Bluetooth Based)	36V	300mA
	Zigbee (Wifi Based)	36V	300mA
Dali	Dt 6	36V	300mA
	Dt 8	36V	300mA

Finish

Brass Gold



DIMMING & TUNING TECHNOLOGY



RF 2.4G + BLE TRIAC/PHASE CUT ZIGBEE

NEXA 15W



APPLICATION

IP Rating
IP20

Recommended Use
Indoor Use

Installation
Recessed Ceiling
Mounting

TECHNICAL SPECIFICATIONS

LED Light Source _____ Ledvance | Cree Pro | Tyanshine

CCT _____ 3000K | 4000K | 6000K | 2700K - 6500K Tunable

CRI _____ >90

Lens _____ 36° / 24° / 15°

Luminous Flux _____ 1200 Lm

Efficiency _____ 80 Lm/W

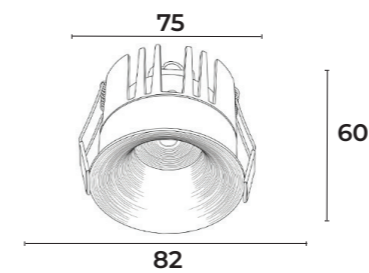
Material _____ Aluminium Die-Cast

DRIVE SYSTEM

	Driver	Voltage	Current
Single Colour	Eaglerise	36V	350mA
Dimmable	TRIAC	36V	350mA
Smart	Sigmesh (Bluetooth Based)	36V	350mA
	Zigbee (Wifi Based)	36V	350mA
Dali	Dt 6	36V	350mA
	Dt 8	36V	350mA

Finish

Brass Gold



DIMMING & TUNING TECHNOLOGY

 RF 2.4G + BLE TRIAC/PHASE CUT ZIGBEE

MAPLE

MAPLE 10W (ARC)

APPLICATION

IP Rating
IP20

Recommended Use
Indoor Use

Installation
Recessed Ceiling
Mounting

TECHNICAL SPECIFICATIONS

LED Light Source _____ Ledvance | Cree Pro | Tyanshine

CCT _____ 3000K | 4000K | 6000K | 2700K - 6500K Tunable

CRI _____ >90

Lens _____ 36°

Luminous Flux _____ 800 Lm

Efficiency _____ 80 Lm/W

Material _____ Aluminium Die-Cast

DRIVE SYSTEM

	Driver	Voltage	Current
Single Colour	Eaglerise	36V	250mA
Dimmable	TRIAC	36V	250mA
Smart	Sigmesh (Bluetooth Based)	36V	250mA
	Zigbee (Wifi Based)	36V	250mA
Dali	Dt 6	36V	250mA
	Dt 8	36V	250mA

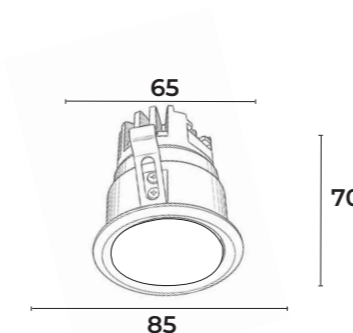


Finish

White + White White + Gun Black White + Rose Gold

Black + Rose Gold Black + White Black + Gun Black

3 STEP ADJUSTABLE



DIMMING & TUNING TECHNOLOGY

RF 2.4G + BLE TRIAC/PHASE CUT ZIGBEE

MAPLE TL

MAPLE 10W (ARC) TL



APPLICATION

IP Rating
IP20

Recommended Use
Indoor Use

Installation
Recessed Ceiling
Mounting

TECHNICAL SPECIFICATIONS

LED Light Source _____ Ledvance | Cree Pro | Tyanshine

CCT _____ 3000K | 4000K | 6000K | 2700K - 6500K Tunable

CRI _____ >90

Lens _____ 36°

Luminous Flux _____ 800 Lm

Efficiency _____ 80 Lm/W

Material _____ Aluminium Die-Cast

DRIVE SYSTEM

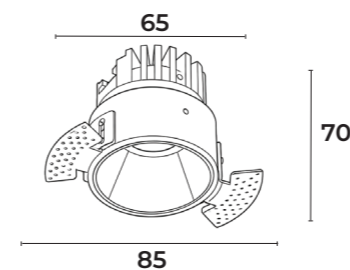
	Driver	Voltage	Current
Single Colour	Eaglerise	36V	250mA
Dimmable	TRIAC	36V	250mA
Smart	Sigmesh (Bluetooth Based)	36V	250mA
	Zigbee (Wifi Based)	36V	250mA
Dali	Dt 6	36V	250mA
	Dt 8	36V	250mA

Finish

White | Gun Black | Rose Gold

○ ● ●

3 STEP ADJUSTABLE



DIMMING & TUNING TECHNOLOGY

RF 2.4G + BLE TRIAC/PHASE CUT ZIGBEE

HAZLE

HAZLE 10W



APPLICATION

IP Rating
IP20

Recommended Use
Indoor Use

Installation
Recessed Ceiling
Mounting

TECHNICAL SPECIFICATIONS

LED Light Source _____ Ledvance | Cree Pro | Tyanshine

CCT _____ 3000K | 4000K | 6000K | 2700K - 6500K Tunable

CRI _____ >90

Lens _____ 36°

Luminous Flux _____ 800 Lm

Efficiency _____ 80 Lm/W

Material _____ Aluminium Die-Cast

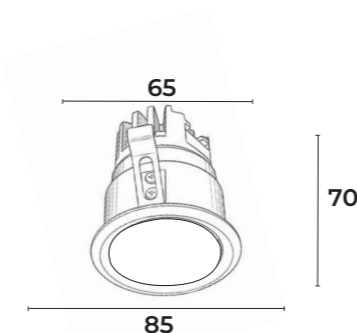
DRIVE SYSTEM

	Driver	Voltage	Current
Single Colour	Eaglerise	36V	250mA
Dimmable	TRIAC	36V	250mA
Smart	Sigmesh (Bluetooth Based)	36V	250mA
	Zigbee (Wifi Based)	36V	250mA
Dali	Dt 6	36V	250mA
	Dt 8	36V	250mA

Finish

White + White ○ ○	White + Gun Black ○ ●	White + Rose Gold ○ ●
Black + Rose Gold ● ●	Black + White ● ○	Black + Gun Black ● ●

3 STEP ADJUSTABLE



DIMMING & TUNING TECHNOLOGY

RF 2.4G + BLE TRIAC/PHASE CUT ZIGBEE

HAZLE TL



3 STEP ADJUSTABLE

HAZLE 10W TL

APPLICATION

IP Rating
IP20

Recommended Use
Indoor Use

Installation
Recessed Ceiling
Mounting

TECHNICAL SPECIFICATIONS

LED Light Source _____ Ledvance | Cree Pro | Tyanshine

CCT _____ 3000K | 4000K | 6000K | 2700K - 6500K Tunable

CRI _____ >90

Lens _____ 36°

Luminous Flux _____ 800 Lm

Efficiency _____ 80 Lm/W

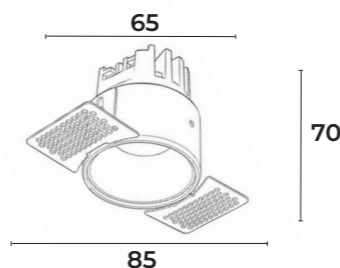
Material _____ Aluminium Die-Cast

DRIVE SYSTEM

	Driver	Voltage	Current
Single Colour	Eaglerise	36V	250mA
Dimmable	TRIAC	36V	250mA
Smart	Sigmesh (Bluetooth Based)	36V	250mA
	Zigbee (Wifi Based)	36V	250mA
Dali	Dt 6	36V	250mA
	Dt 8	36V	250mA

Finish

White | Gun Black | Rose Gold



DIMMING & TUNING TECHNOLOGY

 RF 2.4G + BLE TRIAC/PHASE CUT ZIGBEE



In the right light, everything becomes art

COMFORT

COMFORT 7W



APPLICATION

IP Rating
IP20

Recommended Use
Indoor Use

Installation
Recessed Ceiling
Mounting

TECHNICAL SPECIFICATIONS

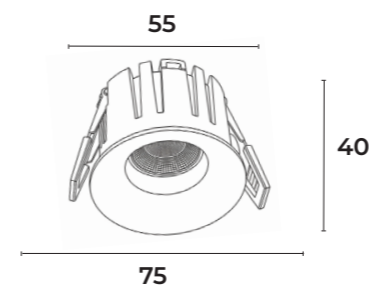
LED Light Source _____ Ledvance | Cree Pro | Tyanshine
CCT _____ 3000K | 4000K | 6000K | 2700K - 6500K Tunable
CRI _____ >90
Lens _____ 60°
Luminous Flux _____ 560 Lm
Efficiency _____ 80 Lm/W
Material _____ Aluminium Die-Cast

DRIVE SYSTEM

	Driver	Voltage	Current
Single Colour	Eaglerise	36V	150mA
Dimmable	TRIAC	36V	150mA
Smart	Sigmesh (Bluetooth Based)	36V	150mA
	Zigbee (Wifi Based)	36V	150mA
Dali	Dt 6	36V	150mA
	Dt 8	36V	150mA

Finish

White
○



DIMMING & TUNING TECHNOLOGY

 RF 2.4G + BLE TRIAC/PHASE CUT ZIGBEE

COMFORT

COMFORT 12W



APPLICATION

IP Rating
IP20

Recommended Use
Indoor Use

Installation
Recessed Ceiling
Mounting

TECHNICAL SPECIFICATIONS

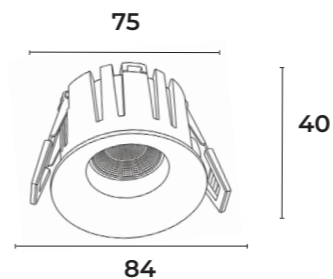
LED Light Source _____ Ledvance | Cree Pro | Tyanshine
CCT _____ 3000K | 4000K | 6000K | 2700K - 6500K Tunable
CRI _____ >90
Lens _____ 60°
Luminous Flux _____ 960 Lm
Efficiency _____ 80 Lm/W
Material _____ Aluminium Die-Cast

DRIVE SYSTEM

	Driver	Voltage	Current
Single Colour	Eaglerise	36V	300mA
Dimmable	TRIAC	36V	300mA
Smart	Sigmesh (Bluetooth Based)	36V	300mA
	Zigbee (Wifi Based)	36V	300mA
Dali	Dt 6	36V	300mA
	Dt 8	36V	300mA

Finish

White
○



DIMMING & TUNING TECHNOLOGY

RF 2.4G + BLE TRIAC/PHASE CUT ZIGBEE

COMFORT

COMFORT 18W



APPLICATION

IP Rating
IP20

Recommended Use
Indoor Use

Installation
Recessed Ceiling
Mounting

TECHNICAL SPECIFICATIONS

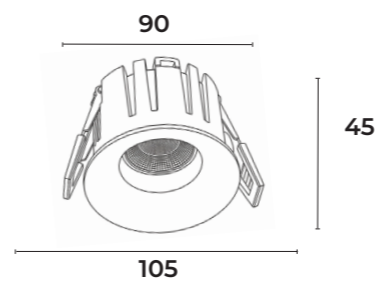
LED Light Source _____ Ledvance | Cree Pro | Tyanshine
CCT _____ 3000K | 4000K | 6000K | 2700K - 6500K Tunable
CRI _____ >90
Lens _____ 60°
Luminous Flux _____ 1440 Lm
Efficiency _____ 80 Lm/W
Material _____ Aluminium Die-Cast

DRIVE SYSTEM

	Driver	Voltage	Current
Single Colour	Eaglerise	36V	450mA
Dimmable	TRIAC	36V	450mA
Smart	Sigmesh (Bluetooth Based)	36V	450mA
	Zigbee (Wifi Based)	36V	450mA
Dali	Dt 6	36V	450mA
	Dt 8	36V	450mA

Finish

White
○



DIMMING & TUNING TECHNOLOGY

 RF 2.4G + BLE TRIAC/PHASE CUT ZIGBEE

MATRIX

MATRIX 15W



APPLICATION

IP Rating
IP20

Recommended Use
Indoor Use

Installation
Recessed Ceiling
Mounting

TECHNICAL SPECIFICATIONS

LED Light Source _____ Ledvance | Cree Pro | Tyanshine

CCT _____ 3000K | 4000K | 6000K

CRI _____ >90

Lens _____ 36°

Luminous Flux _____ 1125 Lm

Efficiency _____ 75 Lm/W

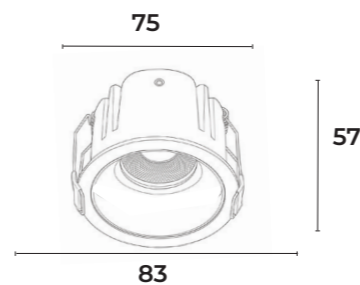
Material _____ Aluminium Die-Cast

DRIVE SYSTEM

	Driver	Voltage	Current
Single Colour	Eaglerise	36V	350mA
Dimmable	TRIAC	36V	350mA
Smart	Sigmesh (Bluetooth Based)	36V	350mA
	Zigbee (Wifi Based)	36V	350mA
Dali	Dt 6	36V	350mA
	Dt 8	36V	350mA

Finish

White + Gun Black



TUNING TECHNOLOGY

 RF 2.4G + BLE TRIAC/PHASE CUT ZIGBEE

DURA

DURA 7W



APPLICATION

IP Rating
IP20

Recommended Use
Indoor Use

Installation
Recessed Ceiling
Mounting

TECHNICAL SPECIFICATIONS

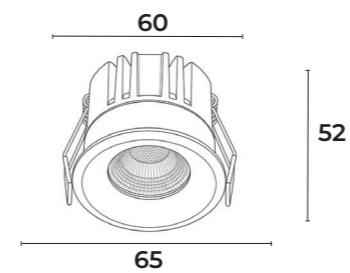
LED Light Source _____ Ledvance | Cree Pro | Tyanshine
CCT _____ 3000K | 4000K | 6000K | 2700K - 6500K Tunable
CRI _____ >90
Lens _____ 36°
Luminous Flux _____ 525 Lm
Efficiency _____ 75L m/W
Material _____ Aluminium Die-Cast

DRIVE SYSTEM

	Driver	Voltage	Current
Single Colour	Eaglerise	36V	150mA
Dimmable	TRIAC	36V	150mA
Smart	Sigmesh (Bluetooth Based)	36V	150mA
	Zigbee (Wifi Based)	36V	150mA
Dali	Dt 6	36V	150mA
	Dt 8	36V	150mA

Finish

White



DIMMING & TUNING TECHNOLOGY

 RF 2.4G + BLE TRIAC/PHASE CUT ZIGBEE

DURA

DURA 12W



APPLICATION

IP Rating
IP20

Recommended Use
Indoor Use

Installation
Recessed Ceiling
Mounting

TECHNICAL SPECIFICATIONS

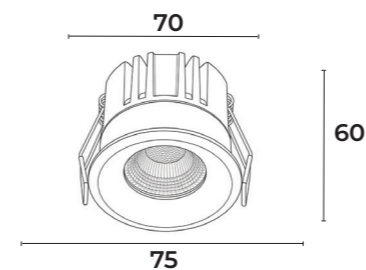
LED Light Source _____ Ledvance | Cree Pro | Tyanshine
CCT _____ 3000K | 4000K | 6000K | 2700K - 6500K Tunable
CRI _____ >90
Lens _____ 36°
Luminous Flux _____ 900 Lm
Efficiency _____ 75L m/W
Material _____ Aluminium Die-Cast

DRIVE SYSTEM

	Driver	Voltage	Current
Single Colour	Eaglerise	36V	300mA
Dimmable	TRIAC	36V	300mA
Smart	Sigmesh (Bluetooth Based)	36V	300mA
	Zigbee (Wifi Based)	36V	300mA
Dali	Dt 6	36V	300mA
	Dt 8	36V	300mA

Finish

White



DIMMING & TUNING TECHNOLOGY

 RF 2.4G + BLE TRIAC/PHASE CUT ZIGBEE

BENZ

BENZ 15W



APPLICATION

IP Rating
IP20

Recommended Use
Indoor Use

Installation
Recessed Ceiling
Mounting

TECHNICAL SPECIFICATIONS

LED Light Source _____ Ledvance | Cree Pro | Tyanshine

CCT _____ 3000K | 4000K | 6000K | 2700K - 6500K Tunable

CRI _____ >90

Lens _____ 60°

Luminous Flux _____ 1225 Lm

Efficiency _____ 80 Lm/W

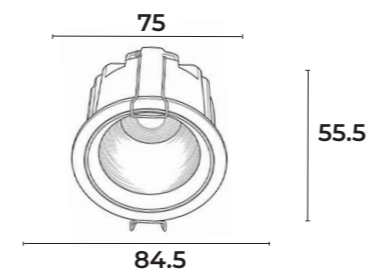
Material _____ Aluminium Die-Cast

DRIVE SYSTEM

	Driver	Voltage	Current
Single Colour	Eaglerise	36V	350mA
Dimmable	TRIAC	36V	350mA
Smart	Sigmesh (Bluetooth Based)	36V	350mA
	Zigbee (Wifi Based)	36V	350mA
Dali	Dt 6	36V	350mA
	Dt 8	36V	350mA

Finish

White + Chrome



DIMMING & TUNING TECHNOLOGY

 RF 2.4G + BLE TRIAC/PHASE CUT ZIGBEE

PINOC



PINOC 15W



APPLICATION

IP Rating
IP20

Recommended Use
Indoor Use

Installation
Recessed Ceiling
Mounting

TECHNICAL SPECIFICATIONS

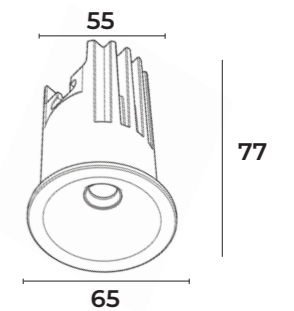
LED Light Source	Ledvance Cree Pro Tyanshine
CCT	3000K 4000K 6000K 2700K to 6500K Tunable
CRI	>90
Lens	36° / 24°
Luminous Flux	1125Lm
Efficiency	75Lm/W
Material	Aluminium Die-Cast

DRIVE SYSTEM

	Driver	Voltage	Current
Single Colour	Eaglerise	36V	350mA
Dimmable	TRIAC	36V	350mA
Smart	Sigmesh (Bluetooth Based)	36V	350mA
	Zigbee (Wifi Based)	36V	350mA
Dali	Dt 6	36V	350mA
	Dt 8	36V	350mA

DIMMING & TUNING TECHNOLOGY

RF 2.4G + BLE TRIAC/PHASE CUT ZIGBEE



Finish

White | Black



CHAN



CHAN 12W

APPLICATION

IP Rating
IP20

Recommended Use
Indoor Use

Installation
Recessed Ceiling
Mounting

TECHNICAL SPECIFICATIONS

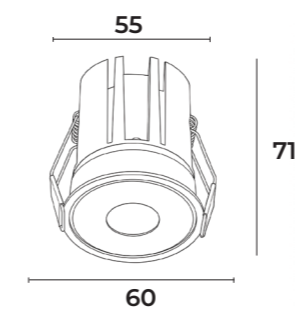
LED Light Source _____ Ledvance | Cree Pro | Tyanshine
CCT _____ 3000K | 4000K | 6000K | 2700K - 6500K Tunable
CRI _____ >90
Lens _____ 36° / 24° / 15°
Luminous Flux _____ 960 Lm
Efficiency _____ 80 Lm/W
Material _____ Aluminium Die-Cast

DRIVE SYSTEM

	Driver	Voltage	Current
Single Colour	Eaglerise	36V	300mA
Dimmable	TRIAC	36V	280mA
Smart	Sigmesh (Bluetooth Based)	36V	280mA
	Zigbee (Wifi Based)	36V	280mA
Dali	Dt 6	36V	280mA
	Dt 8	36V	280mA

Finish

White



DIMMING & TUNING TECHNOLOGY

 RF 2.4G + BLE TRIAC/PHASE CUT ZIGBEE

LEO

LEO 15W



APPLICATION

IP Rating
IP20

Recommended Use
Indoor Use

Installation
Recessed Ceiling
Mounting

TECHNICAL SPECIFICATIONS

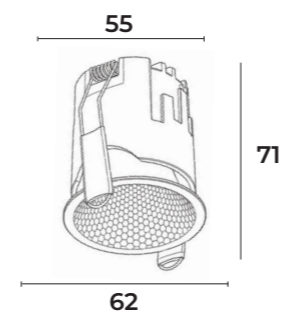
LED Light Source _____ Ledvance | Cree Pro | Tyanshine
CCT _____ 3000K | 4000K | 6000K | 2700K - 6500K Tunable
CRI _____ >90
Lens _____ 36°
Luminous Flux _____ 1200 Lm
Efficiency _____ 80 Lm/W
Material _____ Aluminium Die-Cast

DRIVE SYSTEM

	Driver	Voltage	Current
Single Colour	Eaglerise	36V	350mA
Dimmable	TRIAC	36V	350mA
Smart	Sigmesh (Bluetooth Based)	36V	350mA
	Zigbee (Wifi Based)	36V	350mA
Dali	Dt 6	36V	350mA
	Dt 8	36V	350mA

Finish

White
○



DIMMING & TUNING TECHNOLOGY

 RF 2.4G + BLE TRIAC/PHASE CUT ZIGBEE

LEO

LEO 18W



APPLICATION

IP Rating
IP20

Recommended Use
Indoor Use

Installation
Recessed Ceiling
Mounting

TECHNICAL SPECIFICATIONS

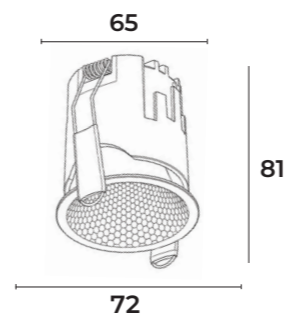
LED Light Source _____ Ledvance | Cree Pro | Tyanshine
CCT _____ 3000K | 4000K | 6000K | 2700K - 6500K Tunable
CRI _____ >90
Lens _____ 36°
Luminous Flux _____ 1440 Lm
Efficiency _____ 80 Lm/W
Material _____ Aluminium Die-Cast

DRIVE SYSTEM

	Driver	Voltage	Current
Single Colour	Eaglerise	36V	450mA
Dimmable	TRIAC	36V	450mA
Smart	Sigmesh (Bluetooth Based)	36V	450mA
	Zigbee (Wifi Based)	36V	450mA
Dali	Dt 6	36V	450mA
	Dt 8	36V	450mA

Finish

White



DIMMING & TUNING TECHNOLOGY

 RF 2.4G + BLE TRIAC/PHASE CUT ZIGBEE

LEO

LEO 20W



APPLICATION

IP Rating
IP20

Recommended Use
Indoor Use

Installation
Recessed Ceiling
Mounting

TECHNICAL SPECIFICATIONS

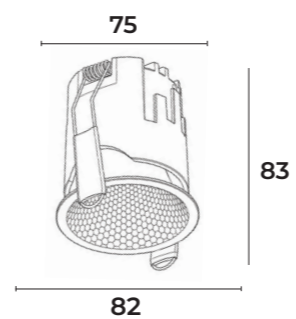
LED Light Source _____ Ledvance | Cree Pro | Tyanshine
CCT _____ 3000K | 4000K | 6000K | 2700K - 6500K Tunable
CRI _____ >90
Lens _____ 36°
Luminous Flux _____ 1600 Lm
Efficiency _____ 80 Lm/W
Material _____ Aluminium Die-Cast

DRIVE SYSTEM

	Driver	Voltage	Current
Single Colour	Eaglerise	36V	500mA
Dimmable	TRIAC	36V	500mA
Smart	Sigmesh (Bluetooth Based)	36V	500mA
	Zigbee (Wifi Based)	36V	500mA
Dali	Dt 6	36V	500mA
	Dt 8	36V	500mA

Finish

White



DIMMING & TUNING TECHNOLOGY



RF 2.4G + BLE TRIAC/PHASE CUT ZIGBEE

ROVER

ROVER 7W



APPLICATION

IP Rating
IP20

Recommended Use
Indoor Use

Installation
Recessed Ceiling
Mounting

TECHNICAL SPECIFICATIONS

LED Light Source _____ Ledvance | Cree Pro | Tyanshine
CCT _____ 3000K | 4000K | 6000K | 2700K - 6500K Tunable
CRI _____ >90
Lens _____ 36°
Luminous Flux _____ 525 Lm
Efficiency _____ 75 Lm/W
Material _____ Aluminium Die-Cast

DRIVE SYSTEM

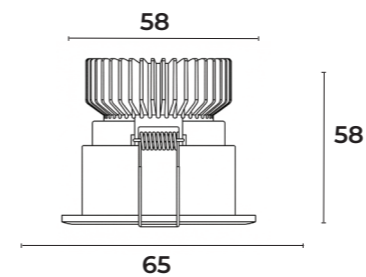
	Driver	Voltage	Current
Single Colour	Eaglerise	36V	150mA
Dimmable	TRIAC	36V	150mA
Smart	Sigmesh (Bluetooth Based)	36V	150mA
	Zigbee (Wifi Based)	36V	150mA
Dali	Dt 6	36V	150mA
	Dt 8	36V	150mA

Finish

White



TILTABLE



DIMMING & TUNING TECHNOLOGY

 RF 2.4G + BLE TRIAC/PHASE CUT ZIGBEE

ROVER



TILTABLE

ROVER 12W

APPLICATION

IP Rating
IP20

Recommended Use
Indoor Use

Installation
Recessed Ceiling
Mounting

TECHNICAL SPECIFICATIONS

LED Light Source _____ Ledvance | Cree Pro | Tyanshine

CCT _____ 3000K | 4000K | 6000K | 2700K - 6500K Tunable

CRI _____ >90

Lens _____ 36°

Luminous Flux _____ 900 Lm

Efficiency _____ 75 Lm/W

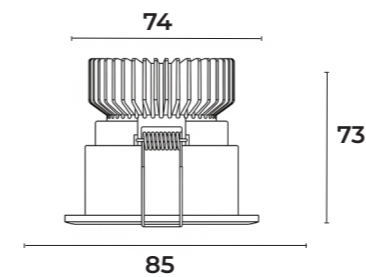
Material _____ Aluminium Die-Cast

DRIVE SYSTEM

	Driver	Voltage	Current
Single Colour	Eaglerise	36V	300mA
Dimmable	TRIAC	36V	300mA
Smart	Sigmesh (Bluetooth Based)	36V	300mA
	Zigbee (Wifi Based)	36V	300mA
Dali	Dt 6	36V	300mA
	Dt 8	36V	300mA

Finish

White

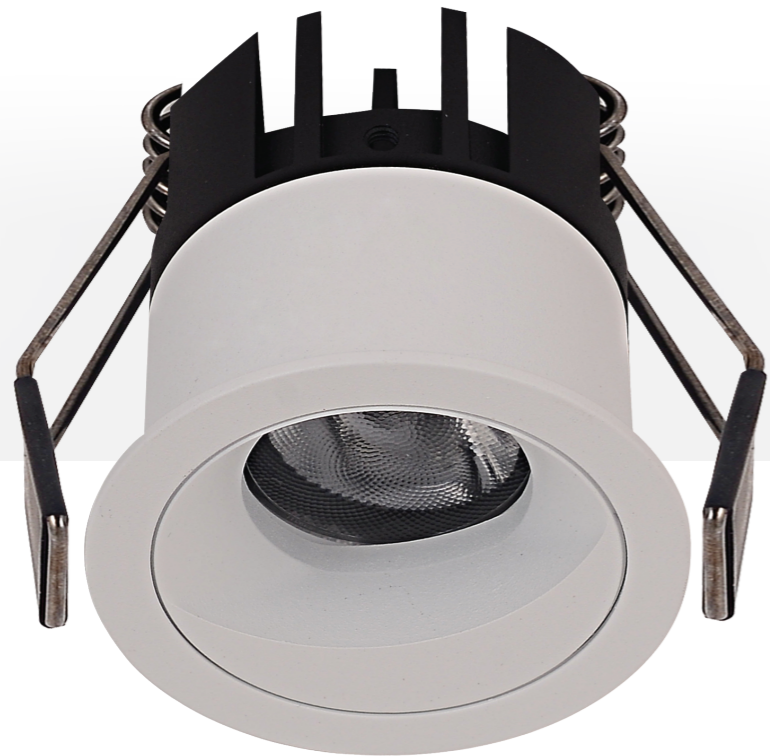


DIMMING & TUNING TECHNOLOGY

 RF 2.4G + BLE TRIAC/PHASE CUT ZIGBEE



WINK



WINK 10W

APPLICATION

IP Rating
IP20

Recommended Use
Indoor Use

Installation
Recessed Ceiling
Mounting

TECHNICAL SPECIFICATIONS

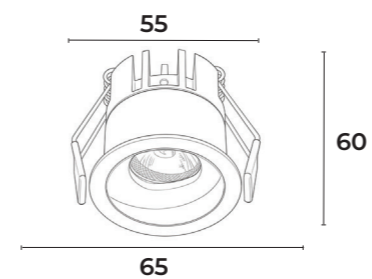
LED Light Source _____ Ledvance | Cree Pro | Tyanshine
CCT _____ 3000K | 4000K | 6000K | 2700K - 6500K Tunable
CRI _____ >90
Lens _____ 60° x 30° (Asymmetric Beam)
Luminous Flux _____ 800 Lm
Efficiency _____ 80 Lm/W
Material _____ Aluminium Die-Cast

DRIVE SYSTEM

	Driver	Voltage	Current
Single Colour	Eaglerise	36V	250mA
Dimmable	TRIAC	36V	250mA
Smart	Sigmesh (Bluetooth Based)	36V	250mA
	Zigbee (Wifi Based)	36V	250mA
Dali	Dt 6	36V	250mA
	Dt 8	36V	250mA

Finish

White | Black



DIMMING & TUNING TECHNOLOGY



RF 2.4G + BLE TRIAC/PHASE CUT ZIGBEE

CHARM

CHARM 12W



APPLICATION

IP Rating
IP20

Recommended Use
Indoor Use

Installation
Recessed Ceiling
Mounting

TECHNICAL SPECIFICATIONS

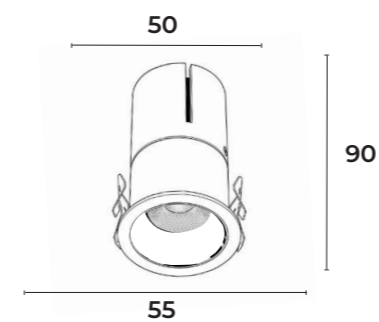
LED Light Source _____ Ledvance | Cree Pro | Tyanshine
CCT _____ 3000K | 4000K | 6000K | 2700K - 6500K Tunable
CRI _____ >90
Lens _____ 24°
Luminous Flux _____ 960 Lm
Efficiency _____ 80 Lm/W
Material _____ Aluminium Die-Cast

DRIVE SYSTEM

	Driver	Voltage	Current
Single Colour	Eaglerise	36V	300mA
Dimmable	TRIAC	36V	300mA
Smart	Sigmesh (Bluetooth Based)	36V	300mA
	Zigbee (Wifi Based)	36V	300mA
Dali	Dt 6	36V	300mA
	Dt 8	36V	300mA

Finish

White + Gun Black



DIMMING & TUNING TECHNOLOGY

 RF 2.4G + BLE TRIAC/PHASE CUT ZIGBEE

CHARM

CHARM 15W



APPLICATION

IP Rating
IP20

Recommended Use
Indoor Use

Installation
Recessed Ceiling
Mounting

TECHNICAL SPECIFICATIONS

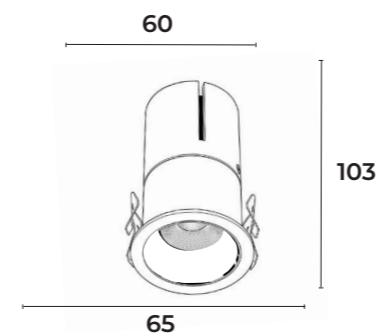
LED Light Source _____ Ledvance | Cree Pro | Tyanshine
CCT _____ 3000K | 4000K | 6000K | 2700K - 6500K Tunable
CRI _____ >90
Lens _____ 24°
Luminous Flux _____ 1200 Lm
Efficiency _____ 80 Lm/W
Material _____ Aluminium Die-Cast

DRIVE SYSTEM

	Driver	Voltage	Current
Single Colour	Eaglerise	36V	350mA
Dimmable	TRIAC	36V	350mA
Smart	Sigmesh (Bluetooth Based)	36V	350mA
	Zigbee (Wifi Based)	36V	350mA
Dali	Dt 6	36V	350mA
	Dt 8	36V	350mA

Finish

White + Gun Black



DIMMING & TUNING TECHNOLOGY

 RF 2.4G + BLE TRIAC/PHASE CUT ZIGBEE

CHIC



CHIC 7W

APPLICATION

IP Rating
IP20

Recommended Use
Indoor Use

Installation
Recessed Ceiling Mounting

TECHNICAL SPECIFICATIONS

LED Light Source _____ Ledvance | Cree Pro | Tyanshine

CCT _____ 3000K | 4000K | 6000K | 2700K - 6500K Tunable

CRI _____ >90

Lens _____ 24°

Luminous Flux _____ 525 Lm

Efficiency _____ 75 Lm/W

Material _____ Aluminium Die-Cast

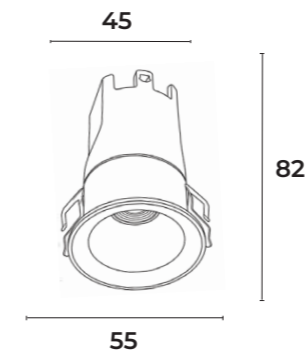
DRIVE SYSTEM

	Driver	Voltage	Current
Single Colour	Eaglerise	36V	150mA
Dimmable	TRIAC	36V	150mA
Smart	Sigmesh (Bluetooth Based)	36V	150mA
	Zigbee (Wifi Based)	36V	150mA
Dali	Dt 6	36V	150mA
	Dt 8	36V	150mA

Finish

White | Black

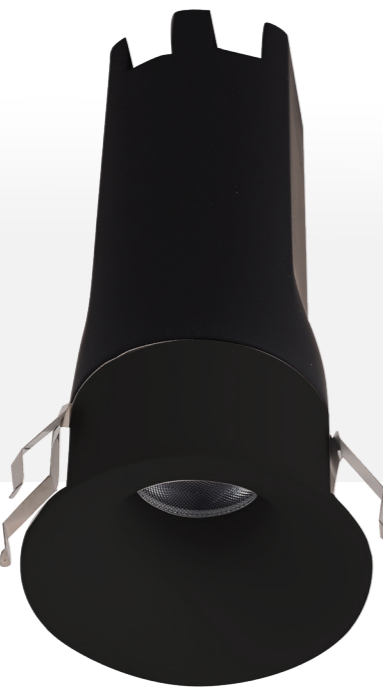
○ ●



DIMMING & TUNING TECHNOLOGY

RF 2.4G + BLE TRIAC/PHASE CUT ZIGBEE

CHIC



CHIC 10W

APPLICATION

IP Rating
IP20

Recommended Use
Indoor Use

Installation
Recessed Ceiling
Mounting

TECHNICAL SPECIFICATIONS

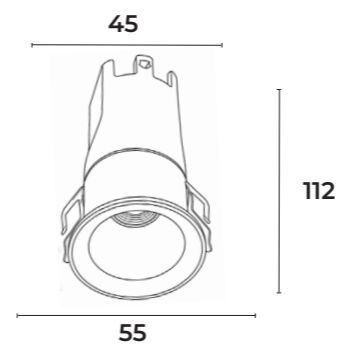
LED Light Source _____ Ledvance | Cree Pro | Tyanshine
CCT _____ 3000K | 4000K | 6000K | 2700K - 6500K Tunable
CRI _____ >90
Lens _____ 24°
Luminous Flux _____ 750 Lm
Efficiency _____ 75 Lm/W
Material _____ Aluminium Die-Cast

DRIVE SYSTEM

	Driver	Voltage	Current
Single Colour	Eaglerise	36V	250mA
Dimmable	TRIAC	36V	250mA
Smart	Sigmesh (Bluetooth Based)	36V	250mA
	Zigbee (Wifi Based)	36V	250mA
Dali	Dt 6	36V	250mA
	Dt 8	36V	250mA

Finish

White | Black



DIMMING & TUNING TECHNOLOGY

DALI 2 RF 2.4G + BLE TRIAC/PHASE CUT ZIGBEE



DAWN



TILTABLE

DAWN 7W

APPLICATION

IP Rating
IP20

Recommended Use
Indoor Use

Installation
Recessed Ceiling
Mounting

TECHNICAL SPECIFICATIONS

LED Light Source _____ Ledvance | Cree Pro | Tyanshine
CCT _____ 3000K | 4000K | 6000K | 2700K - 6500K Tunable
CRI _____ >90
Lens _____ 36°
Luminous Flux _____ 560 Lm
Efficiency _____ 80 Lm/W
Material _____ PVC + Aluminium

DRIVE SYSTEM

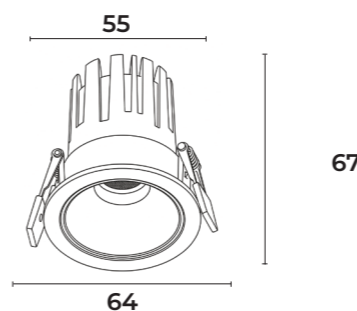
	Driver	Voltage	Current
Single Colour	Eaglerise	36V	150mA
Dimmable	TRIAC	36V	150mA
Smart	Sigmesh (Bluetooth Based)	36V	150mA
	Zigbee (Wifi Based)	36V	150mA
Dali	Dt 6	36V	150mA
	Dt 8	36V	150mA

Finish

White + Gun Black



Black + Gun Black



DIMMING & TUNING TECHNOLOGY

RF 2.4G + BLE TRIAC/PHASE CUT ZIGBEE

DAWN TL



TILTABLE

DAWN 7W TL

APPLICATION

IP Rating
IP20

Recommended Use
Indoor Use

Installation
Recessed Ceiling
Mounting

TECHNICAL SPECIFICATIONS

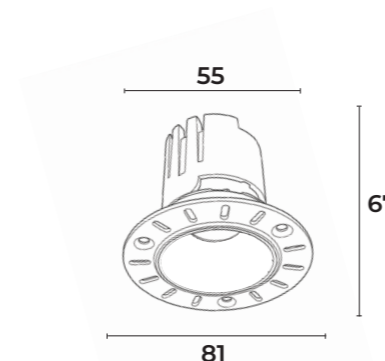
LED Light Source _____ Ledvance | Cree Pro | Tyanshine
CCT _____ 3000K | 4000K | 6000K | 2700K - 6500K Tunable
CRI _____ >90
Lens _____ 36°
Luminous Flux _____ 560 Lm
Efficiency _____ 80 Lm/W
Material _____ PVC + Aluminium

DRIVE SYSTEM

	Driver	Voltage	Current
Single Colour	Eaglerise	36V	150mA
Dimmable	TRIAC	36V	150mA
Smart	Sigmesh (Bluetooth Based)	36V	150mA
	Zigbee (Wifi Based)	36V	150mA
Dali	Dt 6	36V	150mA
	Dt 8	36V	150mA

Finish

Gun Black



DIMMING & TUNING TECHNOLOGY

 RF 2.4G + BLE TRIAC/PHASE CUT ZIGBEE

DAWN



TILTABLE

DAWN 12W

APPLICATION

IP Rating
IP20

Recommended Use
Indoor Use

Installation
Recessed Ceiling
Mounting

TECHNICAL SPECIFICATIONS

LED Light Source _____ Ledvance | Cree Pro | Tyanshine
CCT _____ 3000K | 4000K | 6000K | 2700K - 6500K Tunable
CRI _____ >90
Lens _____ 36°
Luminous Flux _____ 960 Lm
Efficiency _____ 80 Lm/W
Material _____ PVC + Aluminium

DRIVE SYSTEM

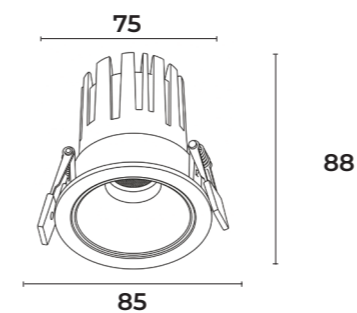
	Driver	Voltage	Current
Single Colour	Eaglerise	36V	300mA
Dimmable	TRIAC	36V	300mA
Smart	Sigmesh (Bluetooth Based)	36V	300mA
	Zigbee (Wifi Based)	36V	300mA
Dali	Dt 6	36V	300mA
	Dt 8	36V	300mA

Finish

White + Gun Black



Black + Gun Black



DIMMING & TUNING TECHNOLOGY

 RF 2.4G + BLE TRIAC/PHASE CUT ZIGBEE

DAWN TL

DAWN 12W TL



APPLICATION

IP Rating
IP20

Recommended Use
Indoor Use

Installation
Recessed Ceiling
Mounting

TECHNICAL SPECIFICATIONS

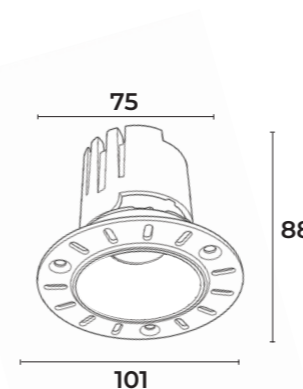
LED Light Source _____ Ledvance | Cree Pro | Tyanshine
CCT _____ 3000K | 4000K | 6000K | 2700K - 6500K Tunable
CRI _____ >90
Lens _____ 36°
Luminous Flux _____ 960 Lm
Efficiency _____ 80 Lm/W
Material _____ PVC + Aluminium

DRIVE SYSTEM

	Driver	Voltage	Current
Single Colour	Eaglerise	36V	300mA
Dimmable	TRIAC	36V	300mA
Smart	Sigmesh (Bluetooth Based)	36V	300mA
	Zigbee (Wifi Based)	36V	300mA
Dali	Dt 6	36V	300mA
	Dt 8	36V	300mA

Finish

Gun Black



TILTABLE

DIMMING & TUNING TECHNOLOGY

 RF 2.4G + BLE TRIAC/PHASE CUT ZIGBEE



VESPER

VESPER 12W



TILTABLE

APPLICATION

IP Rating
IP20

Recommended Use
Indoor Use

Installation
Recessed Ceiling
Mounting

TECHNICAL SPECIFICATIONS

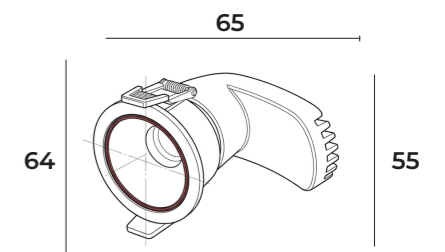
LED Light Source	Ledvance Cree Pro Tyanshine
CCT	3000K 4000K 6000K 2700K - 6500K Tunable
CRI	>90
Lens	36°
Luminous Flux	960 Lm
Efficiency	80 Lm/W
Material	PVC + Aluminium

DRIVE SYSTEM

	Driver	Voltage	Current
Single Colour	Eaglerise	36V	300mA
Dimmable	TRIAC	36V	300mA
Smart	Sigmesh (Bluetooth Based)	36V	300mA
	Zigbee (Wifi Based)	36V	300mA
Dali	Dt 6	36V	300mA
	Dt 8	36V	300mA

DIMMING & TUNING TECHNOLOGY

 RF 2.4G + BLE TRIAC/PHASE CUT ZIGBEE



Finish

White + Gun Black



Black + Gun Black



VESPER

VESPER 12W TL



APPLICATION

IP Rating
IP20

Recommended Use
Indoor Use

Installation
Recessed Ceiling
Mounting

TECHNICAL SPECIFICATIONS

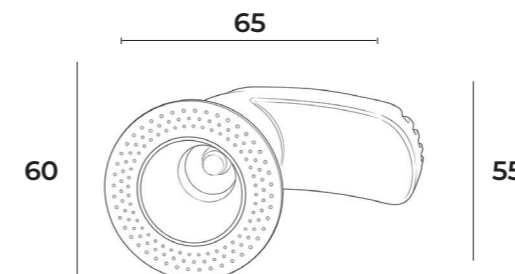
LED Light Source _____ Ledvance | Cree Pro | Tyanshine
CCT _____ 3000K | 4000K | 6000K | 2700K - 6500K Tunable
CRI _____ >90
Lens _____ 36°
Luminous Flux _____ 960 Lm
Efficiency _____ 80 Lm/W
Material _____ PVC + Aluminium

DRIVE SYSTEM

	Driver	Voltage	Current
Single Colour	Eaglerise	36V	300mA
Dimmable	TRIAC	36V	300mA
Smart	Sigmesh (Bluetooth Based)	36V	300mA
	Zigbee (Wifi Based)	36V	300mA
Dali	Dt 6	36V	300mA
	Dt 8	36V	300mA

Finish

Gun Black



TILTABLE

DIMMING & TUNING TECHNOLOGY

 RF 2.4G + BLE TRIAC/PHASE CUT ZIGBEE

APOLLO

APOLLO 9W



APPLICATION

IP Rating
IP20

Recommended Use
Indoor Use

Installation
Recessed Ceiling
Mounting

TECHNICAL SPECIFICATIONS

LED Light Source _____ Ledvance | Cree Pro | Tyanshine

CCT _____ 3000K | 4000K | 6000K | 2700K - 6500K Tunable

CRI _____ >90

Lens _____ 36° / 24° / 15°

Luminous Flux _____ 720 Lm

Efficiency _____ 80 Lm/W

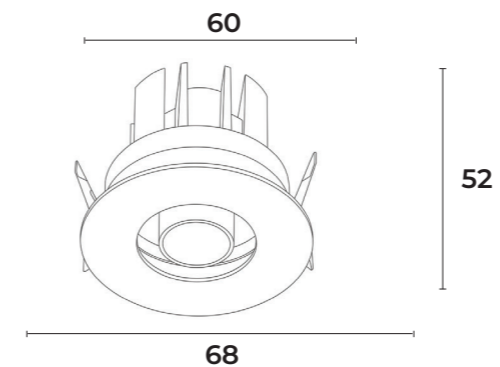
Material _____ Aluminium Die-Cast

DRIVE SYSTEM

	Driver	Voltage	Current
Regular	Eaglerise	36V	200mA
Smart	Sigmesh (Bluetooth Based)	36V	200mA
	Zigbee (Wifi Based)	36V	200mA
Dali	Dt 6	36V	200mA
	Dt 8	36V	200mA
Dimmable	Phasecut	36V	200mA

Finish

White + Black



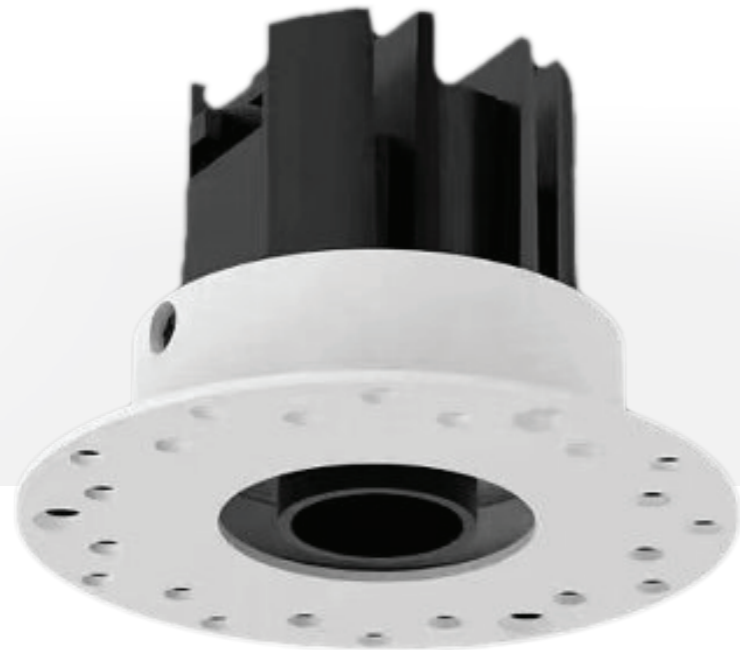
TILTABLE

DIMMING & TUNING TECHNOLOGY

RF 2.4G + BLE TRIAC/PHASE CUT ZIGBEE

APOLLO TL

APOLLO 9W TL



APPLICATION

IP Rating
IP20

Recommended Use
Indoor Use

Installation
Recessed Ceiling
Mounting

TECHNICAL SPECIFICATIONS

LED Light Source _____ Ledvance | Cree Pro | Tyanshine

CCT _____ 3000K | 4000K | 6000K | 2700K - 6500K Tunable

CRI _____ >90

Lens _____ 36° / 24° / 15°

Luminous Flux _____ 720 Lm

Efficiency _____ 80 Lm/W

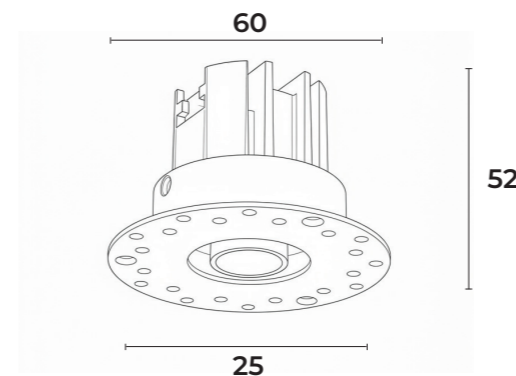
Material _____ Aluminium Die-Cast

DRIVE SYSTEM

	Driver	Voltage	Current
Regular	Eaglerise	36V	200mA
Smart	Sigmesh (Bluetooth Based)	36V	200mA
	Zigbee (Wifi Based)	36V	200mA
Dali	Dt 6	36V	200mA
	Dt 8	36V	200mA
Dimmable	Phasecut	36V	200mA

Finish

White + Black



TILTABLE

DIMMING & TUNING TECHNOLOGY

RF 2.4G + BLE TRIAC/PHASE CUT ZIGBEE

PEARL



TILTABLE

PEARL 5W

APPLICATION

IP Rating
IP20

Recommended Use
Indoor Use

Installation
Recessed Ceiling
Mounting

TECHNICAL SPECIFICATIONS

LED Light Source _____ Bridgelux

CCT _____ 3000K | 4000K | 6000k | 2700K - 6500K Tunable

CRI _____ >90

Lens _____ 36° / 24°

Luminous Flux _____ 400 Lm

Efficiency _____ 80 Lm/W

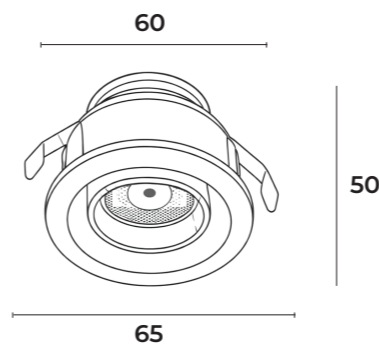
Material _____ Aluminium

DRIVE SYSTEM

	Driver	Voltage	Current
Single Colour	Eaglerise	36V	120mA
Dimmable	TRIAC	36V	120mA
Smart	Sigmesh (Bluetooth Based)	36V	120mA
	Zigbee (Wifi Based)	36V	120mA
Dali	Dt 6	36V	120mA
	Dt 8	36V	120mA

Finish

White + Black



DIMMING & TUNING TECHNOLOGY

RF 2.4G + BLE TRIAC/PHASE CUT ZIGBEE

PEARL



TILTABLE

PEARL 7W

APPLICATION

IP Rating
IP20

Recommended Use
Indoor Use

Installation
Recessed Ceiling
Mounting

TECHNICAL SPECIFICATIONS

LED Light Source _____ Bridgelux

CCT _____ 3000K | 4000K | 6000k | 2700K - 6500K Tunable

CRI _____ >90

Lens _____ 36° / 24°

Luminous Flux _____ 560 Lm

Efficiency _____ 80 Lm/W

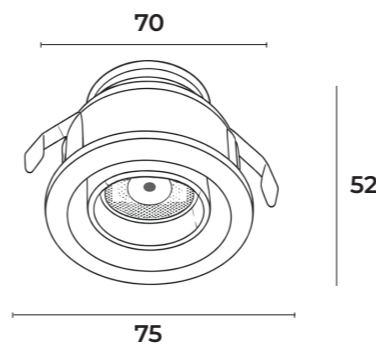
Material _____ PVC

DRIVE SYSTEM

	Driver	Voltage	Current
Single Colour	Eaglerise	36V	150mA
Dimmable	TRIAC	36V	150mA
Smart	Sigmesh (Bluetooth Based)	36V	150mA
	Zigbee (Wifi Based)	36V	150mA
Dali	Dt 6	36V	150mA
	Dt 8	36V	150mA

Finish

White + Black



DIMMING & TUNING TECHNOLOGY

RF 2.4G + BLE TRIAC/PHASE CUT ZIGBEE

ARIES



ARIES 10W

APPLICATION

IP Rating
IP20

Recommended Use
Indoor Use

Installation
Recessed Ceiling
Mounting

TECHNICAL SPECIFICATIONS

LED Light Source _____ Ledvance | Cree Pro | Tyanshine

CCT _____ 3000K | 4000K | 6000K | 2700K - 6500k Tunable

CRI _____ >90

Lens _____ 36° / 24° / 15°

Luminous Flux _____ 750 Lm

Efficiency _____ 75 Lm/W

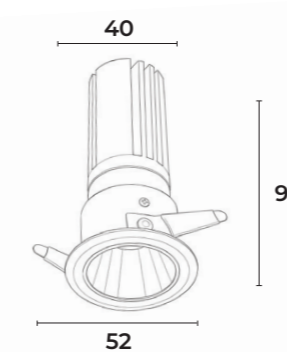
Material _____ Aluminium Die-Cast

DRIVE SYSTEM

	Driver	Voltage	Current
Single Colour	Eaglerise	36V	250mA
Dimmable	TRIAC	36V	250mA
Smart	Sigmesh (Bluetooth Based)	36V	250mA
	Zigbee (Wifi Based)	36V	250mA
Dali	Dt 6	36V	250mA
	Dt 8	36V	250mA

Finish

White + Gun Black | Black + Gun Black



DIMMING & TUNING TECHNOLOGY

 RF 2.4G + BLE TRIAC/PHASE CUT ZIGBEE

ARIES TL



ARIES 10W TL

APPLICATION

IP Rating
IP20

Recommended Use
Indoor Use

Installation
Recessed Ceiling
Mounting

TECHNICAL SPECIFICATIONS

LED Light Source _____ Ledvance | Cree Pro | Tyanshine

CCT _____ 3000K | 4000K | 6000K | 2700K - 6500k Tunable

CRI _____ >90

Lens _____ 36° / 24° / 15°

Luminous Flux _____ 750 Lm

Efficiency _____ 75 Lm/W

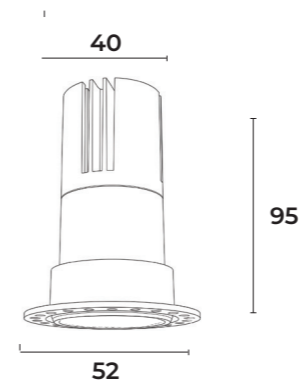
Material _____ Aluminium Die-Cast

DRIVE SYSTEM

	Driver	Voltage	Current
Single Colour	Eaglerise	36V	250mA
Dimmable	TRIAC	36V	250mA
Smart	Sigmesh (Bluetooth Based)	36V	250mA
	Zigbee (Wifi Based)	36V	250mA
Dali	Dt 6	36V	250mA
	Dt 8	36V	250mA

Finish

Gun Black



DIMMING & TUNING TECHNOLOGY

 RF 2.4G + BLE TRIAC/PHASE CUT ZIGBEE

PHARO



PHARO 10W

APPLICATION

IP Rating
IP20

Recommended Use
Indoor Use

Installation
Recessed Ceiling
Mounting

TECHNICAL SPECIFICATIONS

LED Light Source _____ Ledvance | Cree Pro | Tyanshine

CCT _____ 3000K | 4000K | 6000K | 2700K - 6500K Tunable

CRI _____ >90

Lens _____ 36° / 24° / 15°

Luminous Flux _____ 800 Lm

Efficiency _____ 80 Lm/W

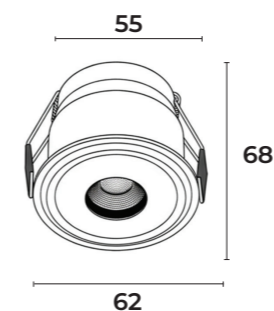
Material _____ Aluminium Die-Cast

DRIVE SYSTEM

	Driver	Voltage	Current
Single Colour	Eaglerise	36V	250mA
Dimmable	TRIAC	36V	250mA
Smart	Sigmesh (Bluetooth Based)	36V	250mA
	Zigbee (Wifi Based)	36V	250mA
Dali	Dt 6	36V	250mA
	Dt 8	36V	250mA

Finish

White | Black



DIMMING & TUNING TECHNOLOGY

 RF 2.4G + BLE TRIAC/PHASE CUT ZIGBEE

CAPE



TILTABLE

CAPE 10W

APPLICATION

IP Rating
IP20

Recommended Use
Indoor Use

Installation
Recessed Ceiling
Mounting

TECHNICAL SPECIFICATIONS

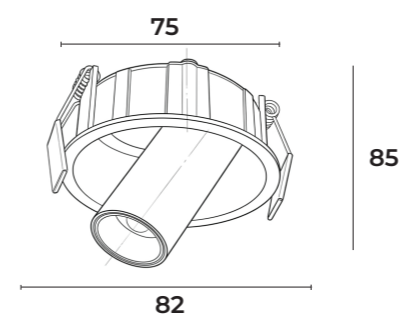
LED Light Source _____ Ledvance | Cree Pro | Tyanshine
CCT _____ 3000K | 4000K | 6000K | 2700K - 6500K Tunable
CRI _____ >90
Lens _____ 36°
Luminous Flux _____ 730 Lm
Efficiency _____ 73 Lm/W
Material _____ Aluminium Die-Cast

DRIVE SYSTEM

	Driver	Voltage	Current
Single Colour	Eaglerise	36V	250mA
Dimmable	TRIAC	36V	250mA
Smart	Sigmesh (Bluetooth Based)	36V	250mA
	Zigbee (Wifi Based)	36V	250mA
Dali	Dt 6	36V	250mA
	Dt 8	36V	250mA

Finish

White | Black



DIMMING & TUNING TECHNOLOGY

 RF 2.4G + BLE TRIAC/PHASE CUT ZIGBEE

CRUST



ROTATABLE

CRUST 9W

APPLICATION

IP Rating
IP20

Recommended Use
Indoor Use

Installation
Recessed Ceiling
Mounting

TECHNICAL SPECIFICATIONS

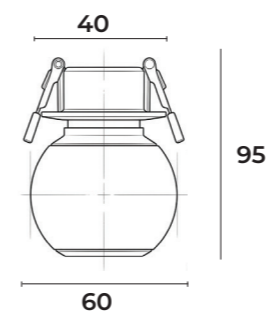
LED Light Source _____ Ledvance | Cree Pro | Tyanshine
CCT _____ 3000K | 4000K | 6000K | 2700K - 6500K Tunable
CRI _____ >90
Lens _____ 24°
Luminous Flux _____ 720 Lm
Efficiency _____ 80 Lm/W
Material _____ Aluminium Die-Cast

DRIVE SYSTEM

	Driver	Voltage	Current
Single Colour	Eaglerise	36V	200mA
Dimmable	TRIAC	36V	200mA
Smart	Sigmesh (Bluetooth Based)	36V	200mA
	Zigbee (Wifi Based)	36V	200mA
Dali	Dt 6	36V	200mA
	Dt 8	36V	200mA

Finish

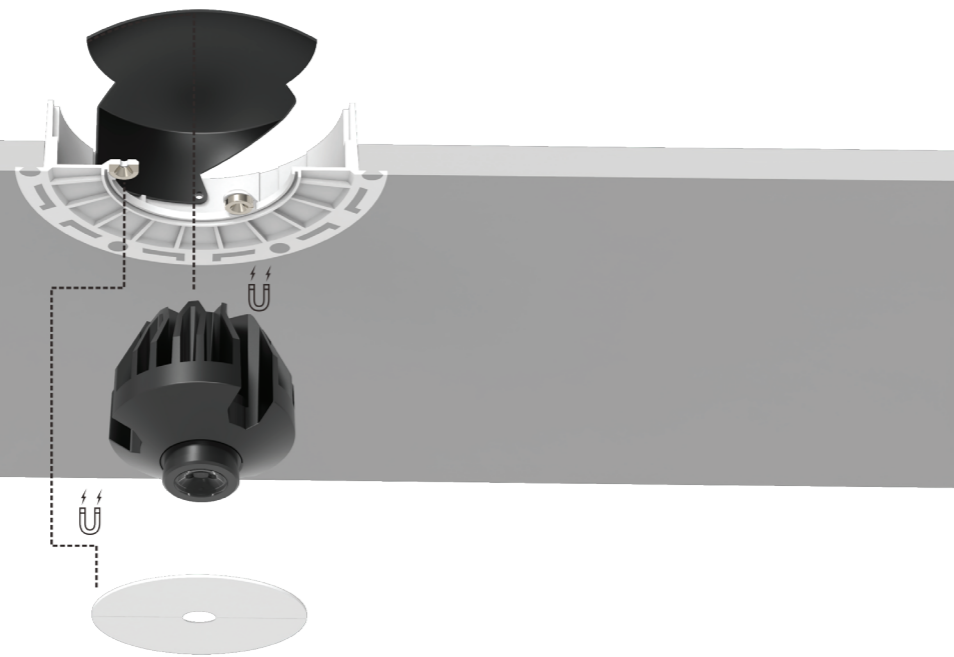
White



DIMMING & TUNING TECHNOLOGY

 RF 2.4G + BLE TRIAC/PHASE CUT ZIGBEE

ENZO



ENZO 10W

APPLICATION

IP Rating
IP20

Recommended Use
Indoor Use

Installation
Recessed Ceiling
Mounting

TECHNICAL SPECIFICATIONS

LED Light Source _____ BRIDGELUX

CCT _____ 3000K | 4000K | 6000K | 2700K - 6500K Tunable

CRI _____ >90

Lens _____ 45°

Luminous Flux _____ 750 Lm

Efficiency _____ 75 Lm/W

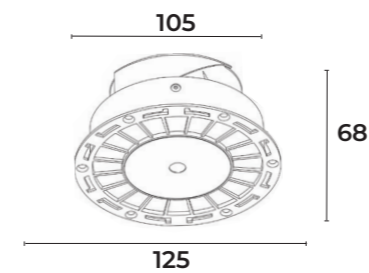
Material _____ Aluminium Die-Cast

DRIVE SYSTEM

	Driver	Voltage	Current
Single Colour	Eaglerise	36V	250mA
Dimmable	TRIAC	36V	250mA
Smart	Sigmesh (Bluetooth Based)	36V	250mA
	Zigbee (Wifi Based)	36V	250mA
Dali	Dt 6	36V	250mA
	Dt 8	36V	250mA

Finish

White



DIMMING & TUNING TECHNOLOGY



RF 2.4G + BLE TRIAC/PHASE CUT ZIGBEE

CRIMSON



CRIMSON 9W

APPLICATION

IP Rating
IP20

Recommended Use
Indoor Use

Installation
Recessed Ceiling
Mounting

TECHNICAL SPECIFICATIONS

LED Light Source _____ BRIDGELUX

CCT _____ 3000K | 4000K | 6000K

CRI _____ >90

Lens _____ 45°

Luminous Flux _____ 630 Lm

Efficiency _____ 70 Lm/W

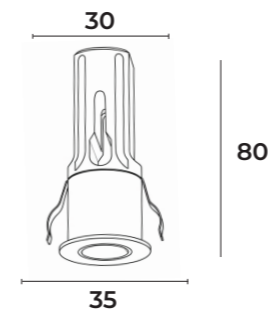
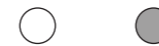
Material _____ Aluminium Die-Cast

DRIVE SYSTEM

Driver	Voltage	Current
Single Colour	36V	220mA

Finish

White + Chrome



RUBY

RUBY 12W



APPLICATION

IP Rating
IP20

Recommended Use
Indoor Use

Installation
Recessed Ceiling
Mounting

TECHNICAL SPECIFICATIONS

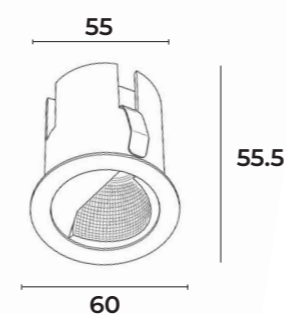
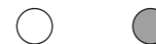
LED Light Source _____ Ledvance | Cree Pro | Tyanshine
CCT _____ 3000K | 4000K | 6000K | 2700K - 6500K Tunable
CRI _____ >90
Lens _____ 45°
Luminous Flux _____ 960 Lm
Efficiency _____ 80 Lm/W
Material _____ Aluminium Die-Cast

DRIVE SYSTEM

	Driver	Voltage	Current
Single Colour	Eaglerise	36V	300mA
Dimmable	TRIAC	36V	300mA
Smart	Sigmesh (Bluetooth Based)	36V	300mA
	Zigbee (Wifi Based)	36V	300mA
Dali	Dt 6	36V	300mA
	Dt 8	36V	300mA

Finish

White + Chrome



DIMMING & TUNING TECHNOLOGY

 RF 2.4G + BLE TRIAC/PHASE CUT ZIGBEE

ORBIT



TILTABLE

ORBIT 12W

APPLICATION

IP Rating
IP20

Recommended Use
Indoor Use

Installation
Recessed Ceiling
Mounting

TECHNICAL SPECIFICATIONS

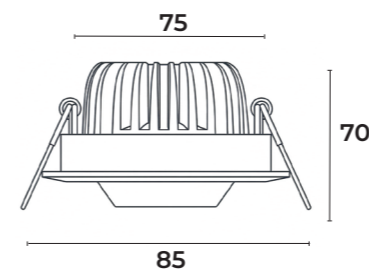
LED Light Source _____ Ledvance | Cree Pro | Tyanshine
CCT _____ 3000K | 4000K | 6000K | 2700K to 6500K Tunable
CRI _____ >90
Lens _____ 36°
Luminous Flux _____ 840Lm
Efficiency _____ 70Lm/W
Material _____ Aluminium Die-Cast

DRIVE SYSTEM

	Driver	Voltage	Current
Single Colour	Eaglerise	36V	300mA
Dimmable	TRIAC	36V	300mA
Smart	Sigmesh (Bluetooth Based)	36V	300mA
	Zigbee (Wifi Based)	36V	300mA
Dali	Dt 6	36V	300mA
	Dt 8	36V	300mA

Finish

White



DIMMING & TUNING TECHNOLOGY

 RF 2.4G + BLE TRIAC/PHASE CUT ZIGBEE

EE

2.5
3.0
3.0
3.0
4.0
4.0
4.0
4.0
4.0



Savor
the little
things



POOKIE



POOKIE 15W

APPLICATION

IP Rating
IP20

Recommended Use
Indoor Use

Installation
Recessed Ceiling
Mounting

TECHNICAL SPECIFICATIONS

LED Light Source _____ Ledvance | Cree Pro | Tyanshine

CCT _____ 3000K | 4000K | 6000K | 2700K - 6500k Tunable

CRI _____ >90

Lens _____ 36° / 24° / 15°

Luminous Flux _____ 1200 Lm

Efficiency _____ 80 Lm/W

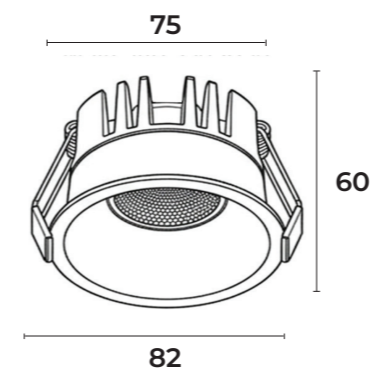
Material _____ Aluminium Die-Cast

DRIVE SYSTEM

	Driver	Voltage	Current
Single Colour	Eaglerise	36V	350mA
Dimmable	TRIAC	36V	350mA
Smart	Sigmesh (Bluetooth Based)	36V	350mA
	Zigbee (Wifi Based)	36V	350mA
Dali	Dt 6	36V	350mA
	Dt 8	36V	350mA

Finish

Matte Pink



DIMMING & TUNING TECHNOLOGY



RF 2.4G + BLE TRIAC/PHASE CUT ZIGBEE

UNNI 15W



APPLICATION

IP Rating
IP20

Recommended Use
Indoor Use

Installation
Recessed Ceiling
Mounting

TECHNICAL SPECIFICATIONS

LED Light Source _____ Ledvance | Cree Pro | Tyanshine

CCT _____ 3000K | 4000K | 6000K | 2700K - 6500k Tunable

CRI _____ >90

Lens _____ 36° / 24° / 15°

Luminous Flux _____ 1200 Lm

Efficiency _____ 80 Lm/W

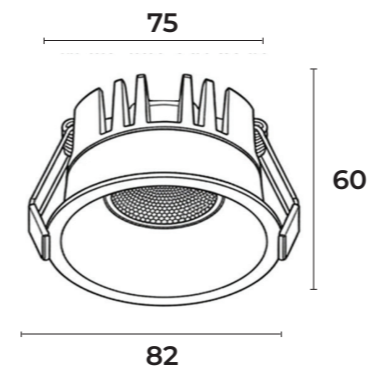
Material _____ Aluminium Die-Cast

DRIVE SYSTEM

	Driver	Voltage	Current
Single Colour	Eaglerise	36V	350mA
Dimmable	TRIAC	36V	350mA
Smart	Sigmesh (Bluetooth Based)	36V	350mA
	Zigbee (Wifi Based)	36V	350mA
Dali	Dt 6	36V	350mA
	Dt 8	36V	350mA

Finish

Matte Sky Blue



DIMMING & TUNING TECHNOLOGY

 RF 2.4G + BLE TRIAC/PHASE CUT ZIGBEE

REN



REN 15W

APPLICATION

IP Rating
IP20

Recommended Use
Indoor Use

Installation
Recessed Ceiling
Mounting

TECHNICAL SPECIFICATIONS

LED Light Source _____ Ledvance | Cree Pro | Tyanshine

CCT _____ 3000K | 4000K | 6000K | 2700K - 6500k Tunable

CRI _____ >90

Lens _____ 36° / 24° / 15°

Luminous Flux _____ 1200 Lm

Efficiency _____ 80 Lm/W

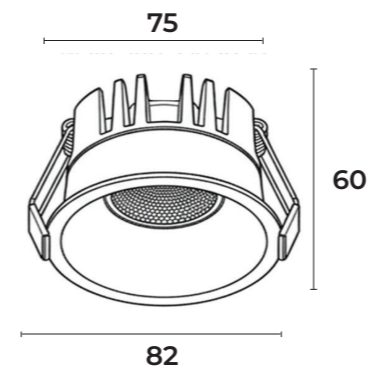
Material _____ Aluminium Die-Cast

DRIVE SYSTEM

	Driver	Voltage	Current
Single Colour	Eaglerise	36V	350mA
Dimmable	TRIAC	36V	350mA
Smart	Sigmesh (Bluetooth Based)	36V	350mA
	Zigbee (Wifi Based)	36V	350mA
Dali	Dt 6	36V	350mA
	Dt 8	36V	350mA

Finish

Matte Green



DIMMING & TUNING TECHNOLOGY

 RF 2.4G + BLE TRIAC/PHASE CUT ZIGBEE

TITAN

TITAN 15W



APPLICATION

IP Rating
IP20

Recommended Use
Indoor Use

Installation
Recessed Ceiling
Mounting

TECHNICAL SPECIFICATIONS

LED Light Source _____ Ledvance | Cree Pro | Tyanshine

CCT _____ 3000K | 4000K | 6000K | 2700K - 6500k Tunable

CRI _____ >90

Lens _____ 36° / 24° / 15°

Luminous Flux _____ 1200 Lm

Efficiency _____ 80 Lm/W

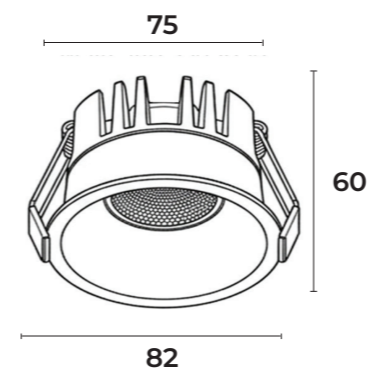
Material _____ Aluminium Die-Cast

DRIVE SYSTEM

	Driver	Voltage	Current
Single Colour	Eaglerise	36V	350mA
Dimmable	TRIAC	36V	350mA
Smart	Sigmesh (Bluetooth Based)	36V	350mA
	Zigbee (Wifi Based)	36V	350mA
Dali	Dt 6	36V	350mA
	Dt 8	36V	350mA

Finish

Matte SS Grey



DIMMING & TUNING TECHNOLOGY

 RF 2.4G + BLE TRIAC/PHASE CUT ZIGBEE

JMMC INDIA

Your Brand Our Responsibility

www.jmmcindia.com

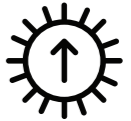
FEATURES



50,000
BURNING HOURS



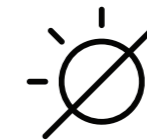
HIGH CRI >90



HIGH LUMENS



2 YEARS
WARRANTY*



ANTI GLARE



ECO FRIENDLY



FLAWLESS
COLOR, FINISHING & FEEL



ENERGY SAVING
UP TO 80%



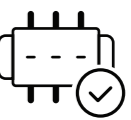
UNIVERSAL
APPLICATION



2700K & 5000K LED
AVAILABLE ON REQUEST



FLICKER FREE



FULHAM & OSRAM DRIVERS
AVAILABLE ON REQUEST

GATEWAY



GATEWAY SIGMESH + ZIGBEE

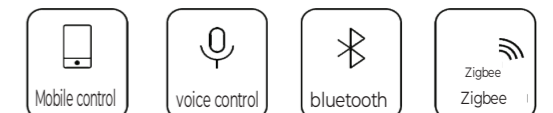
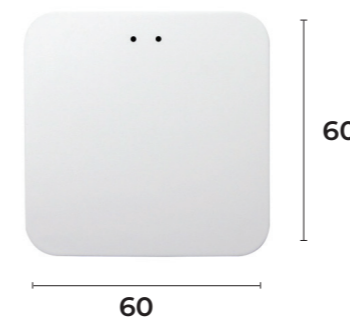
A gateway with built-in Sigmesh and Zigbee technology acts as a central hub for connecting and managing smart devices within a network.

It enables seamless communication between different wireless protocols, ensuring reliable and efficient data transfer. With Sigmesh support, the system offers strong mesh networking capabilities for extended coverage and stability.

Zigbee integration allows low-power, secure connectivity for IoT devices like sensors and smart home equipment. This combination enhances scalability

TECHNICAL SPECIFICATIONS

- Model _____ Gateway Sigmesh + Zigbee
- Voltage _____ DC 5V 1A/2A
- Input Power _____ $\leq 2W$
- Working _____ 10°C - 50°C
- Humidity _____ 0-92%RH
- Protocol Support _____ Zigbee + Sigmesh
- No. of Devices _____ Zigbee 50pcs | Sigmesh 70pcs





SMART REMOTE ONE

Control your lighting effortlessly with a remote featuring 12 groups and 4 customizable scenes for flexible, multi-zone management.

The intuitive design lets you switch, dim, and adjust settings with precision across different areas. A built-in lock function prevents accidental changes, ensuring consistent lighting performance.

Perfect for smart LED systems requiring reliable and convenient remote operation.

TECHNICAL SPECIFICATIONS

Model _____ Smart Remote One

Battery _____ AAA x 2

Input Voltage _____ DC3V

Control range _____ $\geq 15-30m$

LDO On _____ 5-10 mA

Protocol _____ RF 2.4G Hz





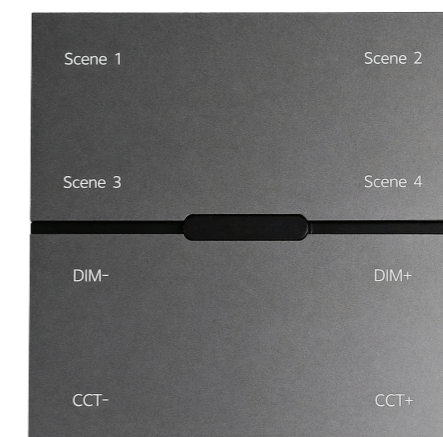
KEYPAD (ZIGBEE/SIGMESH)

The keypad controller offers 4 customizable lighting scenes with smooth CCT and dimming control.

Its sleek, timeless design and premium finish deliver a refined, luxury feel for modern spaces.

TECHNICAL SPECIFICATIONS

Model	Keypad
Finish	Graphite Black
Material	Aluminium
Protocol	Zigbee Sigmesh
Functions	4 Scene + CCT & Dimming
Battery	
Sigmesh Keypad	2032 x 1
Zigbee Keypad	AC Current





SMARTCONTROL LUXE EDGE

The smart lighting controller knob delivers precise, intuitive control with seamless dimming and smart home integration.

Its sleek design and responsive performance make it the best choice for modern lighting.

TECHNICAL SPECIFICATIONS

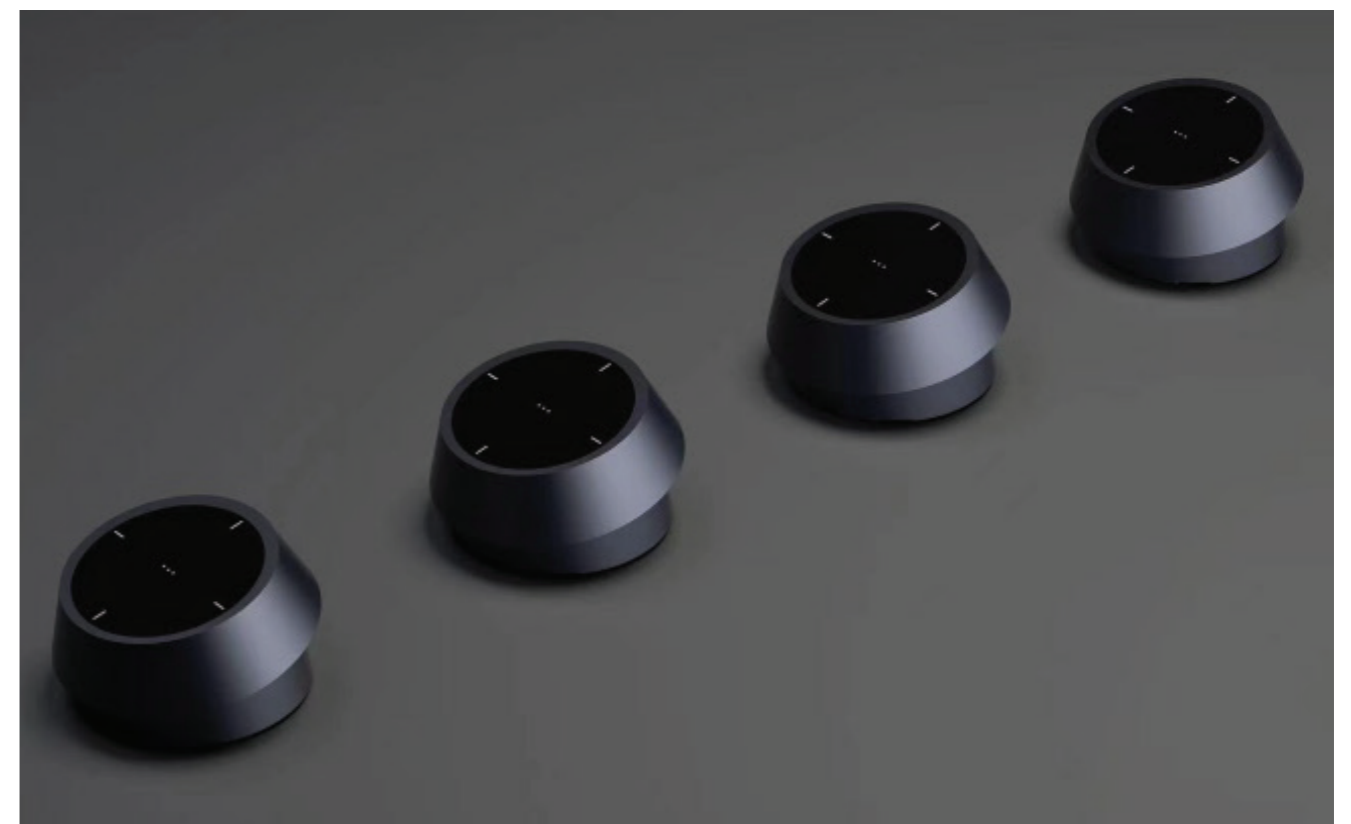
Model _____ Smartcontrol Luxe Edge

Finish _____ Matte Black

Battery Size _____ AAA x 2

Material _____ Aluminium

Protocol _____ Zigbee | Sigmesh





SMARTCONTROL LUXE PRO

Luxe Pro Gold is a premium smart lighting controller crafted in a luxurious matte gold finish, designed to elevate modern interiors.

It seamlessly blends cutting-edge smart control with elegant aesthetics, offering effortless lighting customization at your fingertips.

TECHNICAL SPECIFICATIONS

Model _____ Smartcontrol Luxe PRO

Finish _____ Matte Gold

Battery Size _____ AAA x 2

Material _____ Aluminium

Protocol _____ Zigbee | Sigmesh





INTELLIGENT TOUCH PANEL 8INCH

TECHNICAL SPECIFICATIONS

Model Input	100-240V~, 50/60Hz
Working temp	0-40°C
Working hum	5%-90%RH (non-condensing)
Storage	2GB RAM/16GB ROM
Screen	A8-inch 1280 x 800
Audio	Speaker x 2/Microphone x 2
Wireless Protocol	Zigbee Sigmesh
System	Android 11
Operation Mode	Touch control Physical button Voice control APP control

The 8-inch intelligent Android touchscreen panel offers seamless control of smart lighting and home automation systems through an intuitive, user-friendly interface.

It supports real-time monitoring, customizable scenes, and integration with multiple smart devices, making it a powerful and efficient solution for modern automated environments.



233.5

127.5

LEPUS



PULL OUT + TILT

LEPUS 7W

APPLICATION

IP Rating
IP20

Recommended Use
Indoor Use

Installation
Recessed Ceiling
Mounting

TECHNICAL SPECIFICATIONS

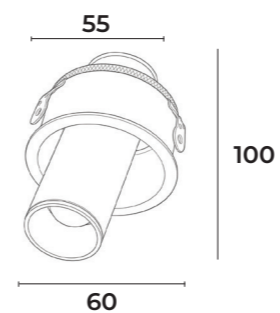
LED Light Source _____ Ledvance | Cree Pro | Tyanshine
CCT _____ 3000K | 4000K | 6000K | 2700K - 6500K Tunable
CRI _____ >90
Lens _____ 24°
Luminous Flux _____ 504 Lm
Efficiency _____ 72 Lm/W
Material _____ Aluminium Die-Cast

DRIVE SYSTEM

	Driver	Voltage	Current
Single Colour	Eaglerise	36V	150mA
Dimmable	TRIAC	36V	150mA
Smart	Sigmesh (Bluetooth Based)	36V	150mA
	Zigbee (Wifi Based)	36V	150mA
Dali	Dt 6	36V	150mA
	Dt 8	36V	150mA

Finish

White | Black



DIMMING & TUNING TECHNOLOGY

RF 2.4G + BLE TRIAC/PHASE CUT ZIGBEE

STELLAR



TILTABLE

STELLAR 14W (7 x 2)

APPLICATION

IP Rating
IP20

Recommended Use
Indoor Use

Installation
Recessed Ceiling
Mounting

TECHNICAL SPECIFICATIONS

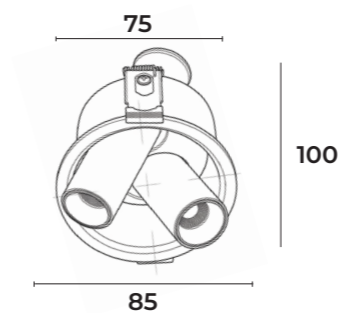
LED Light Source _____ Ledvance | Cree Pro | Tyanshine
CCT _____ 3000K | 4000K | 6000K | 2700K - 6500K Tunable
CRI _____ >90
Lens _____ 24°
Luminous Flux _____ 980 Lm
Efficiency _____ 70 Lm/W
Material _____ Aluminium Die-Cast

DRIVE SYSTEM

	Driver	Voltage	Current
Single Colour	Eaglerise	36V	150mA
Dimmable	TRIAC	36V	150mA
Smart	Sigmesh (Bluetooth Based)	36V	150mA
	Zigbee (Wifi Based)	36V	150mA
Dali	Dt 6	36V	150mA
	Dt 8	36V	150mA

Finish

White | Black



DIMMING & TUNING TECHNOLOGY

 RF 2.4G + BLE TRIAC/PHASE CUT ZIGBEE

RIO



PULL OUT + ROTATE

RIO 5W

APPLICATION

IP Rating
IP20

Recommended Use
Indoor Use

Installation
Recessed Ceiling
Mounting

TECHNICAL SPECIFICATIONS

LED Light Source _____ Ledvance | Cree Pro | Tyanshine

CCT _____ 3000K | 4000K | 6000K | 2700K - 6500K Tunable

CRI _____ >90

Lens _____ 36° / 24°

Luminous Flux _____ 350 Lm

Efficiency _____ 70 Lm/W

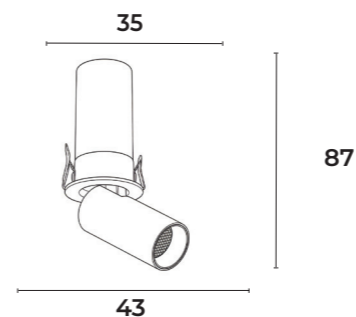
Material _____ Aluminium Die-Cast

DRIVE SYSTEM

	Driver	Voltage	Current
Single Colour	Eaglerise	36V	120mA
Dimmable	TRIAC	36V	120mA
Smart	Sigmesh (Bluetooth Based)	36V	120mA
	Zigbee (Wifi Based)	36V	120mA
Dali	Dt 6	36V	120mA
	Dt 8	36V	120mA

Finish

White | Black



DIMMING & TUNING TECHNOLOGY

 RF 2.4G + BLE TRIAC/PHASE CUT ZIGBEE

RIO 10W



PULL OUT + ROTATE

APPLICATION

IP Rating
IP20

Recommended Use
Indoor Use

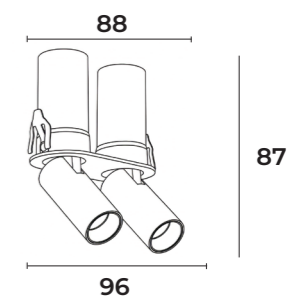
Installation
Recessed Ceiling
Mounting

TECHNICAL SPECIFICATIONS

LED Light Source	Ledvance Cree Pro Tyanshine
CCT	3000K 4000K 6000K 2700K - 6500K Tunable
CRI	>90
Lens	36° / 24°
Luminous Flux	700 Lm
Efficiency	70 Lm/W
Material	Aluminium Die-Cast

DRIVE SYSTEM

	Driver	Voltage	Current
Single Colour	Eaglerise	36V	120mA x 2
Dimmable	TRIAC	36V	120mA x 2
Smart	Sigmesh (Bluetooth Based)	36V	120mA x 2
	Zigbee (Wifi Based)	36V	120mA x 2
Dali	Dt 6	36V	120mA x 2
	Dt 8	36V	120mA x 2



Finish

White | Black



DIMMING & TUNING TECHNOLOGY

RF 2.4G + BLE TRIAC/PHASE CUT ZIGBEE

RIO

RIO 15W



PULL OUT + ROTATE

APPLICATION

IP Rating
IP20

Recommended Use
Indoor Use

Installation
Recessed Ceiling
Mounting

TECHNICAL SPECIFICATIONS

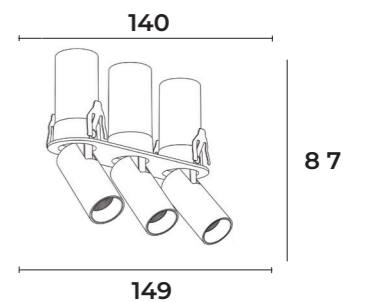
LED Light Source	Ledvance Cree Pro Tyanshine
CCT	3000K 4000K 6000K 2700K - 6500K Tunable
CRI	>90
Lens	36° / 24°
Luminous Flux	1050 Lm
Efficiency	70 Lm/W
Material	Aluminium Die-Cast

DRIVE SYSTEM

	Driver	Voltage	Current
Single Colour	Eaglerise	36V	120mA x 3
Dimmable	TRIAC	36V	120mA x 3
Smart	Sigmesh (Bluetooth Based)	36V	120mA x 3
	Zigbee (Wifi Based)	36V	120mA x 3
Dali	Dt 6	36V	120mA x 3
	Dt 8	36V	120mA x 3

DIMMING & TUNING TECHNOLOGY

RF 2.4G + BLE TRIAC/PHASE CUT ZIGBEE



Finish

White | Black



MEMO



PULL OUT + ROTATE

MEMO 7W

APPLICATION

IP Rating
IP20

Recommended Use
Indoor Use

Installation
Recessed Ceiling
Mounting

TECHNICAL SPECIFICATIONS

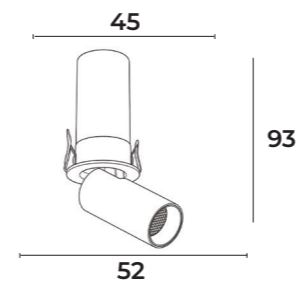
LED Light Source _____ Ledvance | Cree Pro | Tyanshine
CCT _____ 3000K | 4000K | 6000K | 2700K - 6500K Tunable
CRI _____ >90
Lens _____ 36° / 24°
Luminous Flux _____ 511 Lm
Efficiency _____ 73 Lm/W
Material _____ Aluminium Die-Cast

DRIVE SYSTEM

	Driver	Voltage	Current
Single Colour	Eaglerise	36V	150mA
Dimmable	TRIAC	36V	150mA
Smart	Sigmesh (Bluetooth Based)	36V	150mA
	Zigbee (Wifi Based)	36V	150mA
Dali	Dt 6	36V	150mA
	Dt 8	36V	150mA

Finish

White | Black



DIMMING & TUNING TECHNOLOGY

RF 2.4G + BLE TRIAC/PHASE CUT ZIGBEE

MEMO



PULL OUT + ROTATE

MEMO 14W

APPLICATION

IP Rating
IP20

Recommended Use
Indoor Use

Installation
Recessed Ceiling
Mounting

TECHNICAL SPECIFICATIONS

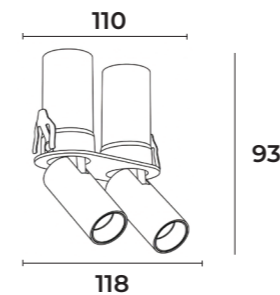
LED Light Source _____ Ledvance | Cree Pro
CCT _____ 3000K | 4000K | 6000K | 2700K - 6500K Tunable
CRI _____ >90
Lens _____ 36° / 24°
Luminous Flux _____ 1022 Lm
Efficiency _____ 73 Lm/W
Material _____ Aluminium Die-Cast

DRIVE SYSTEM

	Driver	Voltage	Current
Single Colour	Eaglerise	36V	150mA x 2
Dimmable	TRIAC	36V	150mA x 2
Smart	Sigmesh (Bluetooth Based)	36V	150mA x 2
	Zigbee (Wifi Based)	36V	150mA x 2
Dali	Dt 6	36V	150mA x 2
	Dt 8	36V	150mA x 2

Finish

White | Black



DIMMING & TUNING TECHNOLOGY

RF 2.4G + BLE TRIAC/PHASE CUT ZIGBEE



PULL OUT + ROTATE

APPLICATION

IP Rating
IP20

Recommended Use
Indoor Use

Installation
Recessed Ceiling
Mounting

TECHNICAL SPECIFICATIONS

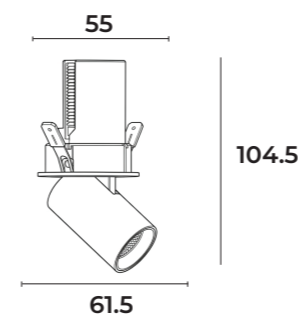
LED Light Source _____ Ledvance | Cree Pro | Tyanshine
CCT _____ 3000K | 4000K | 6000K | 2700K - 6500K Tunable
CRI _____ >90
Lens _____ 36°
Luminous Flux _____ 510 Lm
Efficiency _____ 73 Lm/W
Material _____ Aluminium Die-Cast

DRIVE SYSTEM

	Driver	Voltage	Current
Single Colour	Eaglerise	36V	150mA
Dimmable	TRIAC	36V	150mA
Smart	Sigmesh (Bluetooth Based)	36V	150mA
	Zigbee (Wifi Based)	36V	150mA
Dali	Dt 6	36V	150mA
	Dt 8	36V	150mA

Finish

White



DIMMING & TUNING TECHNOLOGY

RF 2.4G + BLE TRIAC/PHASE CUT ZIGBEE



VINTAGE



VINTAGE 12W

APPLICATION

IP Rating
IP20

Recommended Use
Indoor Use

Installation
Recessed Ceiling
Mounting

TECHNICAL SPECIFICATIONS

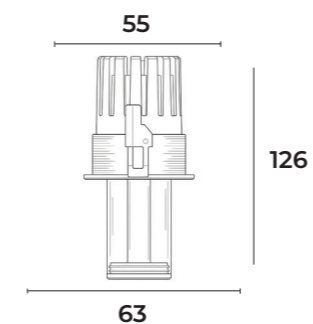
LED Light Source _____ Ledvance | Cree Pro | Tyanshine
CCT _____ 3000K | 4000K | 6000K | 2700K - 6500K Tunable
CRI _____ >90
Lens _____ 50°
Luminous Flux _____ 800 Lm
Efficiency _____ 67 Lm/W
Material _____ Aluminium Die-Cast & PLEXIGLASS

DRIVE SYSTEM

	Driver	Voltage	Current
Single Colour	Eaglerise	36V	300mA
Dimmable	TRIAC	36V	280mA
Smart	Sigmesh (Bluetooth Based)	36V	280mA
	Zigbee (Wifi Based)	36V	280mA
Dali	Dt 6	36V	280mA
	Dt 8	36V	280mA

Finish

Antique | Rose Gold

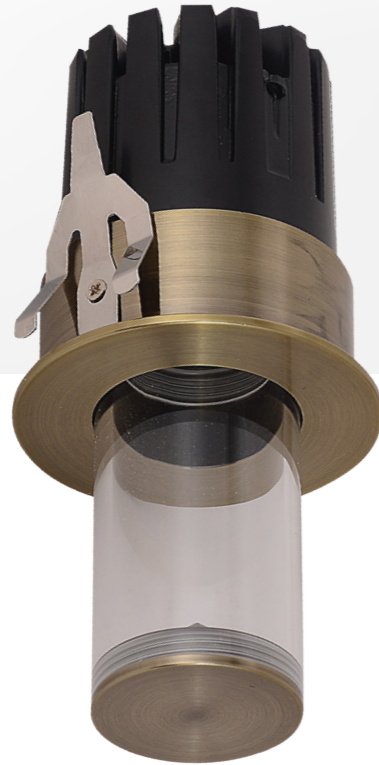


DIMMING & TUNING TECHNOLOGY

 RF 2.4G + BLE TRIAC/PHASE CUT ZIGBEE

VINTAGE

VINTAGE 15W



APPLICATION

IP Rating
IP20

Recommended Use
Indoor Use

Installation
Recessed Ceiling
Mounting

TECHNICAL SPECIFICATIONS

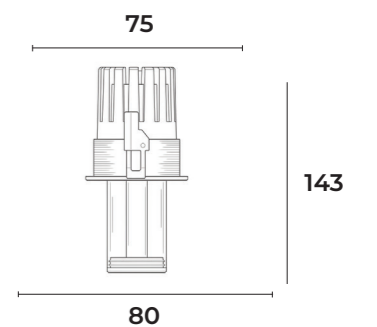
LED Light Source	Ledvance Cree Pro Tyanshine
CCT	3000K 4000K 6000K 2700K - 6500K Tunable
CRI	>90
Lens	50°
Luminous Flux	1000 Lm
Efficiency	80 Lm/W
Material	Aluminium Die-Cast & PLEXIGLASS

DRIVE SYSTEM

	Driver	Voltage	Current
Single Colour	Eaglerise	36V	350mA
Dimmable	TRIAC	36V	350mA
Smart	Sigmesh (Bluetooth Based)	36V	350mA
	Zigbee (Wifi Based)	36V	350mA
Dali	Dt 6	36V	350mA
	Dt 8	36V	350mA

DIMMING & TUNING TECHNOLOGY

RF 2.4G + BLE TRIAC/PHASE CUT ZIGBEE



Finish

Antique | Rose Gold



GEM

GEM 10W



APPLICATION

IP Rating
IP44

Recommended Use
Indoor Use

Installation
Recessed Ceiling
Mounting

TECHNICAL SPECIFICATIONS

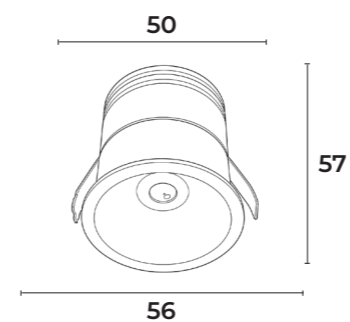
LED Light Source _____ Ledvance | Cree Pro | Tyanshine
CCT _____ 3000K | 4000K | 6000k | 2700K - 6500K Tunable
CRI _____ >90
Lens _____ 50°
Luminous Flux _____ 850 Lm
Efficiency _____ 85 Lm/W
Material _____ Aluminium

DRIVE SYSTEM

	Driver	Voltage	Current
Single Colour	Eaglerise	36V	250mA
Dimmable	TRIAC	36V	250mA
Smart	Sigmesh (Bluetooth Based)	36V	250mA
	Zigbee (Wifi Based)	36V	250mA
Dali	Dt 6	36V	250mA
	Dt 8	36V	250mA

Finish

White
○



DIMMING & TUNING TECHNOLOGY

 RF 2.4G + BLE TRIAC/PHASE CUT ZIGBEE



BOLD



BOLD 12W

APPLICATION

IP Rating
IP65

Recommended Use
Indoor Use
Outdoor Use

Installation
Recessed Ceiling
Mounting

TECHNICAL SPECIFICATIONS

LED Light Source _____ Ledvance | Cree Pro | Tyanshine

CCT _____ 3000K | 4000K | 6000K

CRI _____ >90

Lens _____ 60°

Luminous Flux _____ 960 Lm

Efficiency _____ 80 Lm/W

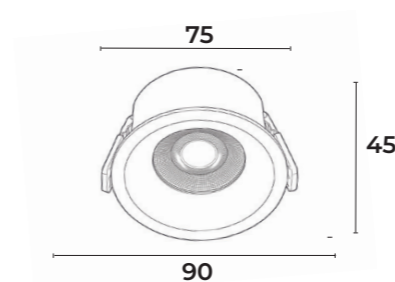
Material _____ Aluminium Die-Cast

DRIVE SYSTEM

	Driver	Voltage	Current
Single Colour	Eaglerise	36V	300mA
Dimmable	TRIAC	36V	280mA
Smart	Sigmesh (Bluetooth Based)	36V	280mA
	Zigbee (Wifi Based)	36V	280mA
Dali	Dt 6	36V	280mA
	Dt 8	36V	280mA

Finish

White | Black



DIMMING TECHNOLOGY

RF 2.4G + BLE TRIAC/PHASE CUT ZIGBEE

BOLD



BOLD 18W

APPLICATION

IP Rating
IP65

Recommended Use
Indoor Use
Outdoor Use

Installation
Recessed Ceiling
Mounting

TECHNICAL SPECIFICATIONS

LED Light Source _____ Ledvance | Cree Pro | Tyanshine

CCT _____ 3000K | 4000K | 6000K

CRI _____ >90

Lens _____ 60°

Luminous Flux _____ 1440 Lm

Efficiency _____ 80 Lm/W

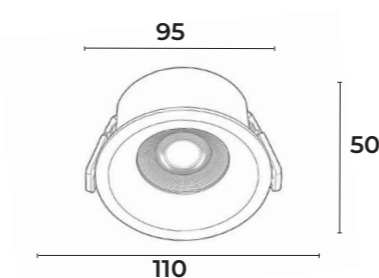
Material _____ Aluminium Die-Cast

DRIVE SYSTEM

	Driver	Voltage	Current
Single Colour	Eaglerise	36V	450mA
Dimmable	TRIAC	36V	450mA
Smart	Sigmesh (Bluetooth Based)	36V	450mA
	Zigbee (Wifi Based)	36V	450mA
Dali	Dt 6	36V	450mA
	Dt 8	36V	450mA

Finish

White | Black



DIMMING TECHNOLOGY

RF 2.4G + BLE TRIAC/PHASE CUT ZIGBEE

SOL



SOL 10W

APPLICATION

IP Rating
IP65

Recommended Use
Indoor Use
Outdoor Use

Installation
Recessed Ceiling
Mounting

TECHNICAL SPECIFICATIONS

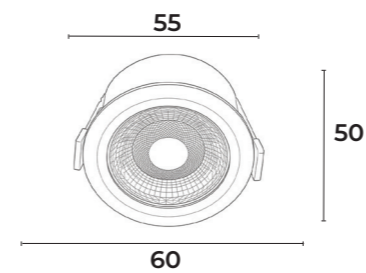
LED Light Source _____ Ledvance | Cree Pro | Tyanshine
 CCT _____ 3000K | 4000K | 6000K | 2700K - 6500K Tunable
 CRI _____ >90
 Lens _____ 24°
 Luminous Flux _____ 750 Lm
 Efficiency _____ 75 Lm/W
 Material _____ Aluminium Die-Cast

DRIVE SYSTEM

	Driver	Voltage	Current
Single Colour	Eaglerise	36V	250mA
Dimmable	TRIAC	36V	250mA
Smart	Sigmesh (Bluetooth Based)	36V	250mA
	Zigbee (Wifi Based)	36V	250mA
Dali	Dt 6	36V	250mA
	Dt 8	36V	250mA

Finish

White | Black



DIMMING & TUNING TECHNOLOGY

RF 2.4G + BLE TRIAC/PHASE CUT ZIGBEE

SOL



SOL 15W

APPLICATION

IP Rating
IP65

Recommended Use
Indoor Use
Outdoor Use

Installation
Recessed Ceiling
Mounting

TECHNICAL SPECIFICATIONS

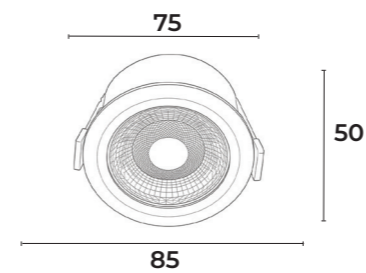
LED Light Source _____ Ledvance | Cree Pro | Tyanshine
CCT _____ 3000K | 4000K | 6000K | 2700K - 6500K Tunable
CRI _____ >90
Lens _____ 24°
Luminous Flux _____ 1125 Lm
Efficiency _____ 75 Lm/W
Material _____ Aluminium Die-Cast

DRIVE SYSTEM

	Driver	Voltage	Current
Single Colour	Eaglerise	36V	350mA
Dimmable	TRIAC	36V	350mA
Smart	Sigmesh (Bluetooth Based)	36V	350mA
	Zigbee (Wifi Based)	36V	350mA
Dali	Dt 6	36V	350mA
	Dt 8	36V	350mA

Finish

White | Black



DIMMING & TUNING TECHNOLOGY

 RF 2.4G + BLE TRIAC/PHASE CUT ZIGBEE

KYRO 7W



APPLICATION

IP Rating
IP65

Recommended Use
Indoor Use
Outdoor Use

Installation
Surface Mounted

TECHNICAL SPECIFICATIONS

LED Light Source _____ Ledvance | Cree Pro | Tyanshine

CCT _____ 3000K | 4000K | 6000k | 2700K - 6500K Tunable

CRI _____ >90

Lens _____ 36°

Luminous Flux _____ 560 Lm

Efficiency _____ 80 Lm/W

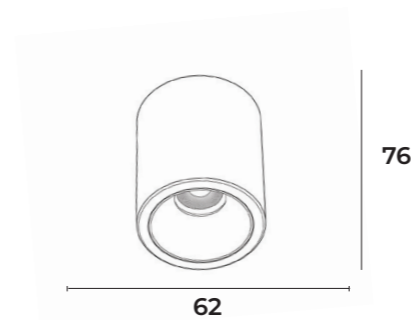
Material _____ Aluminium

DRIVE SYSTEM

	Driver	Voltage	Current
Single Colour		36V	150mA
Dimmable	TRIAC	36V	150mA
Smart	Sigmesh (Bluetooth Based)	36V	150mA
	Zigbee (Wifi Based)	36V	150mA
Dali	Dt 6	36V	150mA
	Dt 8	36V	150mA

Finish

Black



DIMMING & TUNING TECHNOLOGY

 RF 2.4G + BLE TRIAC/PHASE CUT ZIGBEE

KYRO 12W



APPLICATION

IP Rating
IP65

Recommended Use
Indoor Use
Outdoor Use

Installation
Surface Mounted

TECHNICAL SPECIFICATIONS

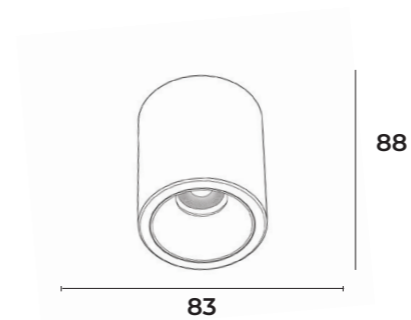
LED Light Source _____ Ledvance | Cree Pro | Tyanshine
CCT _____ 3000K | 4000K | 6000k | 2700K - 6500K Tunable
CRI _____ >90
Lens _____ 36°
Luminous Flux _____ 960 Lm
Efficiency _____ 80 Lm/W
Material _____ Aluminium

DRIVE SYSTEM

	Driver	Voltage	Current
Single Colour		36V	300mA
Dimmable	TRIAC	36V	300mA
Smart	Sigmesh (Bluetooth Based)	36V	300mA
	Zigbee (Wifi Based)	36V	300mA
Dali	Dt 6	36V	300mA
	Dt 8	36V	300mA

Finish

Black



DIMMING & TUNING TECHNOLOGY

 RF 2.4G + BLE TRIAC/PHASE CUT ZIGBEE

BYNO



PULL OUT + ROTATE

BYNO 10W

APPLICATION

IP Rating
IP20

Recommended Use
Indoor Use

Installation
Surface Mounted

TECHNICAL SPECIFICATIONS

LED Light Source _____ Ledvance | Cree Pro

CCT _____ 3000K | 4000K | 6000K | 2700K - 6500K Tunable

CRI _____ >90

Lens _____ 36° / 24°

Luminous Flux _____ 700 Lm

Efficiency _____ 70 Lm/W

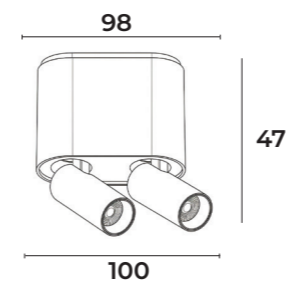
Material _____ Aluminium Die-Cast

DRIVE SYSTEM

	Driver	Voltage	Current
Single Colour		36V	250mA
Dimmable	TRIAC	36V	250mA

Finish

White | Black



DIMMING & TUNING TECHNOLOGY

 RF 2.4G + BLE TRIAC/PHASE CUT ZIGBEE

FUJI

FUJI 15W



ROTATABLE

APPLICATION

IP Rating
IP20

Recommended Use
Indoor Use

Installation
Surface Mounted

TECHNICAL SPECIFICATIONS

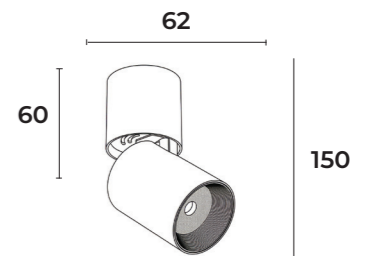
LED Light Source	Ledvance Cree Pro Tyanshine
CCT	3000K 4000K 6000K 2700K - 6500K Tunable
CRI	>90
Lens	36° / 24°
Luminous Flux	1125 Lm
Efficiency	75 Lm/W
Material	Aluminium Die-Cast

DRIVE SYSTEM

	Driver	Voltage	Current
Single Colour		36V	350mA
Dimmable	TRIAC	36V	350mA
Dali	Dt 6	36V	350mA
	Dt 8	36V	350mA
Smart	Sigmesh (Bluetooth Based)	36V	350mA
	Zigbee (Wifi Based)	36V	350mA

DIMMING & TUNING TECHNOLOGY

 RF 2.4G + BLE TRIAC/PHASE CUT ZIGBEE



Finish

White | Black



GLOBE



GLOBE 10W

APPLICATION

IP Rating
IP20

Recommended Use
Indoor Use

Installation
Surface Mounted

TECHNICAL SPECIFICATIONS

LED Light Source _____ Ledvance | Cree Pro | Tyanshine
CCT _____ 3000K | 4000K | 6000K | 2700K - 6500K Tunable
CRI _____ >90
Lens _____ 36°
Luminous Flux _____ 750 Lm
Efficiency _____ 75 Lm/W
Material _____ Aluminium Die-Cast

DRIVE SYSTEM

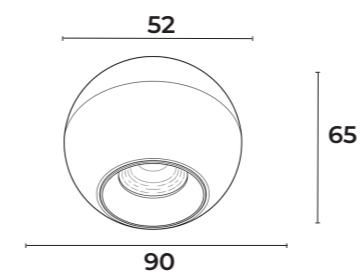
	Driver	Voltage	Current
Single Colour		36V	250mA
Dimmable	TRIAC	36V	250mA
Smart	Sigmesh (Bluetooth Based)	36V	250mA
	Zigbee (Wifi Based)	36V	250mA
Dali	Dt 6	36V	250mA
	Dt 8	36V	250mA

Finish

White + Gun Black



Black + Gun Black



DIMMING & TUNING TECHNOLOGY



RF 2.4G + BLE TRIAC/PHASE CUT ZIGBEE

GLOBE



GLOBE 15W

APPLICATION

IP Rating
IP20

Recommended Use
Indoor Use

Installation
Surface Mounted

TECHNICAL SPECIFICATIONS

LED Light Source _____ Ledvance | Cree Pro | Tyanshine
CCT _____ 3000K | 4000K | 6000K | 2700K - 6500K Tunable
CRI _____ >90
Lens _____ 36°
Luminous Flux _____ 1125Lm
Efficiency _____ 75Lm/W
Material _____ Aluminium Die-Cast

DRIVE SYSTEM

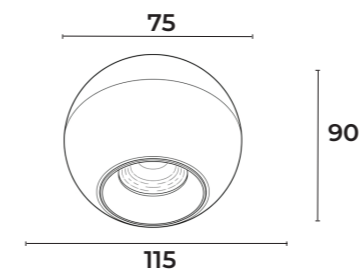
	Driver	Voltage	Current
Single Colour		36V	350mA
Dimmable	TRIAC	36V	350mA
Smart	Sigmesh (Bluetooth Based)	36V	350mA
	Zigbee (Wifi Based)	36V	350mA
Dali	Dt 6	36V	350mA
	Dt 8	36V	350mA

Finish

White + Gun Black



Black + Gun Black



DIMMING & TUNING TECHNOLOGY

 RF 2.4G + BLE TRIAC/PHASE CUT ZIGBEE

COMET

COMET 9W



APPLICATION

IP Rating
IP20

Recommended Use
Indoor Use

Installation
Surface Mounted

TECHNICAL SPECIFICATIONS

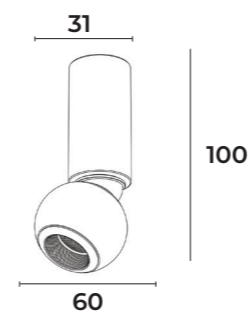
LED Light Source _____ Ledvance | Cree Pro | Tyanshine
CCT _____ 3000K | 4000K | 6000K | 2700K - 6500K Tunable
CRI _____ >90
Lens _____ 24°
Luminous Flux _____ 720 Lm
Efficiency _____ 80 Lm/W
Material _____ Aluminium Die-Cast

DRIVE SYSTEM

	Driver	Voltage	Current
Single Colour		36V	200mA
Dimmable	TRIAC	36V	200mA
Smart	Sigmesh (Bluetooth Based)	36V	200mA
	Zigbee (Wifi Based)	36V	200mA
Dali	Dt 6	36V	200mA
	Dt 8	36V	200mA

Finish

White
○



ROTATABLE

DIMMING & TUNING TECHNOLOGY

 RF 2.4G + BLE TRIAC/PHASE CUT ZIGBEE

TENO

TENO 12W



APPLICATION

IP Rating
IP20

Recommended Use
Indoor Use

Installation
Surface Mounted

TECHNICAL SPECIFICATIONS

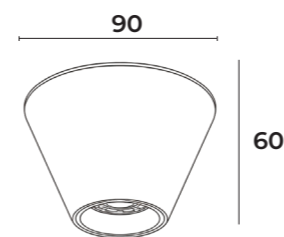
LED Light Source _____ Ledvance | Cree Pro | Tyanshine
CCT _____ 3000K | 4000K | 6000k | 2700K - 6500K Tunable
CRI _____ >90
Lens _____ 36°
Luminous Flux _____ 960 Lm
Efficiency _____ 80 Lm/W
Material _____ Aluminium

DRIVE SYSTEM

	Driver	Voltage	Current
Single Colour	Eaglerise	36V	300mA
Dimmable	TRIAC	36V	300mA
Smart	Sigmesh (Bluetooth Based)	36V	300mA
	Zigbee (Wifi Based)	36V	300mA
Dali	Dt 6	36V	300mA
	Dt 8	36V	300mA

Finish

White | Black | Gold | Silver



DIMMING & TUNING TECHNOLOGY

RF 2.4G + BLE TRIAC/PHASE CUT ZIGBEE

LIOR



LIOR 5W

APPLICATION

IP Rating
IP20

Recommended Use
Indoor Use

Installation
Surface Mounted

TECHNICAL SPECIFICATIONS

LED Light Source _____ Ledvance | Cree Pro | Tyanshine
CCT _____ 3000K | 4000K | 6000k | 2700K - 6500K Tunable
CRI _____ >90
Lens _____ 36°
Luminous Flux _____ 500 Lm
Efficiency _____ 80 Lm/W
Material _____ Aluminium

DRIVE SYSTEM

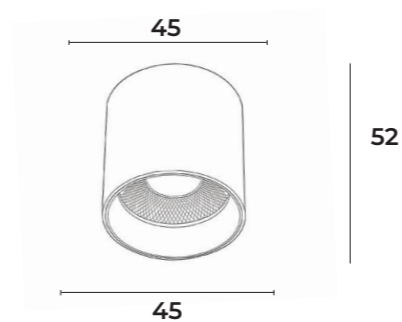
	Driver	Voltage	Current
Single Colour		40V	120mA
Dimmable	TRIAC	40V	120mA
Smart	Sigmesh (Bluetooth Based)	40V	120mA
	Zigbee (Wifi Based)	40V	120mA
Dali	Dt 6	40V	120mA
	Dt 8	40V	120mA

Finish

White + Gun Black



Black + Gun Black



DIMMING & TUNING TECHNOLOGY

RF 2.4G + BLE TRIAC/PHASE CUT ZIGBEE

LIOR



LIOR 10W

APPLICATION

IP Rating
IP20

Recommended Use
Indoor Use

Installation
Surface Mounted

TECHNICAL SPECIFICATIONS

LED Light Source _____ Ledvance | Cree Pro | Tyanshine
CCT _____ 3000K | 4000K | 6000k | 2700K - 6500K Tunable
CRI _____ >90
Lens _____ 36°
Luminous Flux _____ 800 Lm
Efficiency _____ 80 Lm/W
Material _____ Aluminium

DRIVE SYSTEM

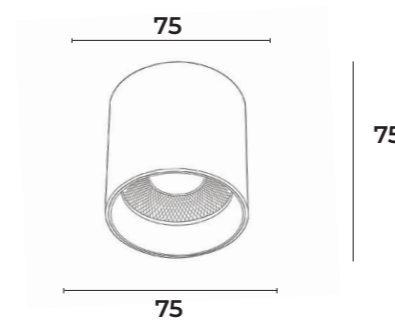
	Driver	Voltage	Current
Single Colour		40V	250mA
Dimmable	TRIAC	40V	250mA
Smart	Sigmesh (Bluetooth Based)	40V	250mA
	Zigbee (Wifi Based)	40V	250mA
Dali	Dt 6	40V	250mA
	Dt 8	40V	250mA

Finish

White + Gun Black



Black + Gun Black



DIMMING & TUNING TECHNOLOGY

 RF 2.4G + BLE TRIAC/PHASE CUT ZIGBEE

LIOR



LIOR 15W

APPLICATION

IP Rating
IP20

Recommended Use
Indoor Use

Installation
Surface Mounted

TECHNICAL SPECIFICATIONS

LED Light Source _____ Ledvance | Cree Pro | Tyanshine

CCT _____ 3000K | 4000K | 6000k | 2700K - 6500K Tunable

CRI _____ >90

Lens _____ 36°

Luminous Flux _____ 1200 Lm

Efficiency _____ 80 Lm/W

Material _____ Aluminium

DRIVE SYSTEM

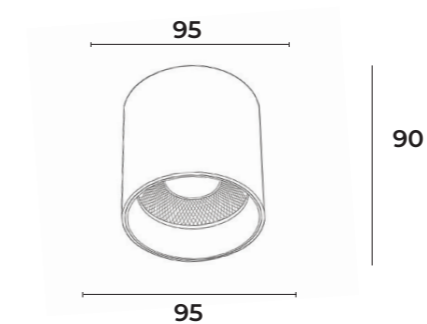
	Driver	Voltage	Current
Single Colour		40V	350mA
Dimmable	TRIAC	40V	350mA
Smart	Sigmesh (Bluetooth Based)	40V	350mA
	Zigbee (Wifi Based)	40V	350mA
Dali	Dt 6	40V	350mA
	Dt 8	40V	350mA

Finish

White + Gun Black



Black + Gun Black



DIMMING & TUNING TECHNOLOGY

 RF 2.4G + BLE TRIAC/PHASE CUT ZIGBEE

ONYX



ROTATABLE

APPLICATION

IP Rating
IP20

Recommended Use
Indoor Use

Installation
Surface Mounted

TECHNICAL SPECIFICATIONS

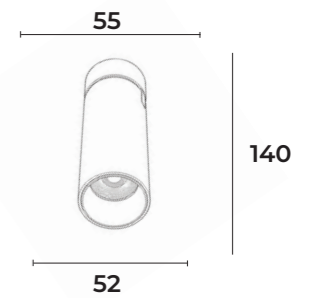
LED Light Source _____ Ledvance | Cree Pro | Tyanshine
CCT _____ 3000K | 4000K | 6000K | 2700K - 6500K Tunable
CRI _____ >90
Lens _____ 36° / 24° / 15°
Luminous Flux _____ 630 Lm
Efficiency _____ 90 Lm/W
Material _____ Aluminium Die-Cast

DRIVE SYSTEM

	Driver	Voltage	Current
Single Colour		36V	200mA
Dimmable	TRIAC	36V	200mA
Smart	Sigmesh (Bluetooth Based)	36V	200mA
	Zigbee (Wifi Based)	36V	200mA
Dali	Dt 6	36V	200mA
	Dt 8	36V	200mA

DIMMING & TUNING TECHNOLOGY

RF 2.4G + BLE TRIAC/PHASE CUT ZIGBEE



Finish

White | Black

ONYX CONCEAL



ONYX CONCEAL 8W



ROTATABLE

APPLICATION

IP Rating
IP20

Recommended Use
Indoor Use

Installation
Recessed Ceiling
Mounting

TECHNICAL SPECIFICATIONS

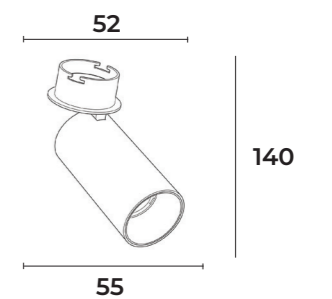
LED Light Source _____ Ledvance | Cree Pro | Tyanshine
CCT _____ 3000K | 4000K | 6000K | 2700K - 6500K Tunable
CRI _____ >90
Lens _____ 36° / 24° / 15°
Luminous Flux _____ 480 Lm
Efficiency _____ 80 Lm/W
Material _____ Aluminium Die-Cast

DRIVE SYSTEM

	Driver	Voltage	Current
Single Colour		36V	200mA
Dimmable	TRIAC	36V	200mA
Smart	Sigmesh (Bluetooth Based)	36V	200mA
	Zigbee (Wifi Based)	36V	200mA
Dali	Dt 6	36V	200mA
	Dt 8	36V	200mA

DIMMING & TUNING TECHNOLOGY

RF 2.4G + BLE TRIAC/PHASE CUT ZIGBEE



Finish

White | Black

JMMC INDIA

Your Brand Our Responsibility

www.jmmcindia.com

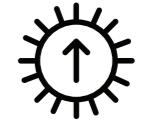
FEATURES



50,000
BURNING HOURS



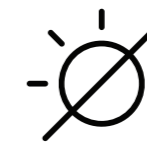
HIGH CRI >90



HIGH LUMENS



2 YEARS
WARRANTY*



ANTI GLARE



ECO FRIENDLY



FLAWLESS
COLOR, FINISHING & FEEL



ENERGY SAVING
UP TO 80%



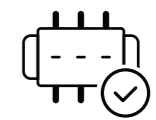
UNIVERSAL
APPLICATION



2700K & 5000K LED
AVAILABLE ON REQUEST



FLICKER FREE



FULHAM & OSRAM DRIVERS
AVAILABLE ON REQUEST

OLID



OLID 12W

APPLICATION

IP Rating
IP20

Recommended Use
Indoor Use

Installation
Surface Mounted

TECHNICAL SPECIFICATIONS

LED Light Source _____ Bridgelux

CCT _____ 3000K | 4000K | 6000k | 2700K - 6500K Tunable

CRI _____ >90

Lens _____ Diffuser

Luminous Flux _____ 1080 Lm

Efficiency _____ 90 Lm/W

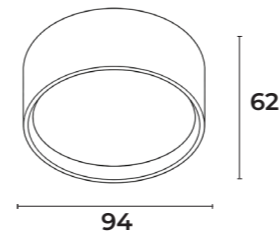
Material _____ Aluminium

DRIVE SYSTEM

	Driver	Voltage	Current
Single Colour		36V	300mA
Smart	Sigmesh (Bluetooth Based)	36V	300mA

Finish

White | Black



DIMMING & TUNING TECHNOLOGY



RF 2.4G + BLE TRIAC/PHASE CUT ZIGBEE

OLID



OLID 18W

APPLICATION

IP Rating
IP20

Recommended Use
Indoor Use

Installation
Surface Mounted

TECHNICAL SPECIFICATIONS

LED Light Source _____ Bridgelux

CCT _____ 3000K | 4000K | 6000k | 2700K - 6500K Tunable

CRI _____ >90

Lens _____ 26°

Luminous Flux _____ 1620 Lm

Efficiency _____ 90 Lm/W

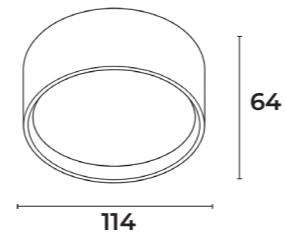
Material _____ Aluminium

DRIVE SYSTEM

	Driver	Voltage	Current
Single Colour		60V	300mA
Smart	Sigmesh (Bluetooth Based)	60V	300mA

Finish

White | Black



DIMMING & TUNING TECHNOLOGY

 RF 2.4G + BLE TRIAC/PHASE CUT ZIGBEE

SURFACE ART



SURFACE ART 8W

APPLICATION

IP Rating
IP20

Recommended Use
Indoor Use

Installation
Surface Mounted

TECHNICAL SPECIFICATIONS

LED Light Source _____ BRIDGELUX

CCT _____ 3000K | 4000K

CRI _____ >90

Lens _____ 20° - 35°

Luminous Flux _____ 640 Lm

Efficiency _____ 80 Lm/W

Material _____ Aluminium

DRIVE SYSTEM

	Driver	Voltage	Current
Single Colour	Eaglerise	36V	200mA
Smart	Sigmesh (Bluetooth Based)	36V	200mA
	Zigbee (Wifi Based)	36V	200mA
Dali	Dt 6	36V	200mA
	Dt 8	36V	200mA

Finish

Black



RECESSED ART



RECESSED ART 8W

APPLICATION

IP Rating
IP20

Recommended Use
Indoor Use

Installation
Recessed Ceiling
Mounting

TECHNICAL SPECIFICATIONS

LED Light Source _____ BRIDGELUX

CCT _____ 3000K | 4000K

CRI _____ >90

Lens _____ 20° - 35°

Luminous Flux _____ 640 Lm

Efficiency _____ 80 Lm/W

Material _____ Aluminium

DRIVE SYSTEM

	Driver	Voltage	Current
Single Colour	Eaglerise	36V	200mA
Smart	Sigmesh (Bluetooth Based)	36V	200mA
	Zigbee (Wifi Based)	36V	200mA
Dali	Dt 6	36V	200mA
	Dt 8	36V	200mA

Finish

Black



CLASSIC



CLASSIC 12W

APPLICATION

IP Rating
IP20

Recommended Use
Indoor Use

Installation
Recessed Ceiling
Mounting

TECHNICAL SPECIFICATIONS

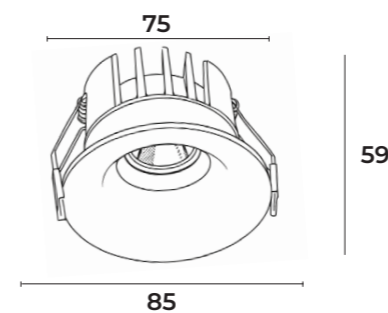
LED Light Source _____ Ledvance | Cree Pro | Tyanshine
CCT _____ 3000K | 4000K | 6000k | 2700K - 6500K Tunable
CRI _____ >90
Lens _____ 36°
Luminous Flux _____ 960 Lm
Efficiency _____ 80 Lm/W
Material _____ Aluminium

DRIVE SYSTEM

	Driver	Voltage	Current
Single Colour	Eaglerise	36V	300mA
Dimmable	TRIAC	36V	300mA
Smart	Sigmesh (Bluetooth Based)	36V	300mA
	Zigbee (Wifi Based)	36V	300mA
Dali	Dt 6	36V	300mA
	Dt 8	36V	300mA

Finish

White + Black



DIMMING & TUNING TECHNOLOGY

RF 2.4G + BLE TRIAC/PHASE CUT ZIGBEE

MOON



MOON 24W

APPLICATION

IP Rating
IP20

Recommended Use
Indoor Use

Installation
Recessed Ceiling
Mounting

TECHNICAL SPECIFICATIONS

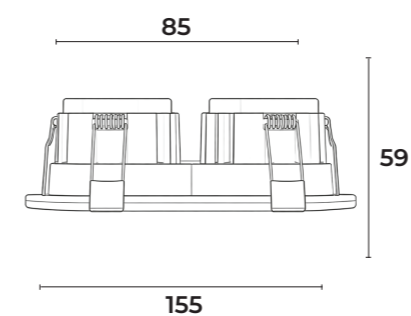
LED Light Source _____ Ledvance | Cree Pro | Tyanshine
CCT _____ 3000K | 4000K | 6000K | 2700K - 6500K Tunable
CRI _____ >90
Lens _____ 36°
Luminous Flux _____ 1920Lm
Efficiency _____ 80Lm/W
Material _____ Aluminium

DRIVE SYSTEM

	Driver	Voltage	Current
Single Colour	Eaglerise	36V	300mA x 2
Dimmable	TRIAC	36V	300mA x 2
Smart	Sigmesh (Bluetooth Based)	36V	300mA x 2
	Zigbee (Wifi Based)	36V	300mA x 2
Dali	Dt 6	36V	300mA x 2
	Dt 8	36V	300mA x 2

Finish

White + Black



DIMMING & TUNING TECHNOLOGY

RF 2.4G + BLE TRIAC/PHASE CUT ZIGBEE

META SQ



META SQ 30W



APPLICATION

IP Rating

IP20

Recommended Use

Indoor Use

Installation

Recessed Ceiling Mounting

TECHNICAL SPECIFICATIONS

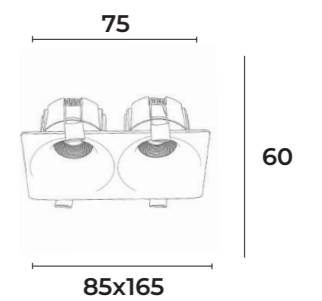
LED Light Source _____ Ledvance | Cree Pro | Tyanshine
CCT _____ 3000K | 4000K | 6000K | 2700K - 6500K Tunable
CRI _____ >90
Lens _____ 36° / 24° / 15°
Luminous Flux _____ 2400 Lm
Efficiency _____ 80 Lm/W
Material _____ Aluminium Die-Cast

DRIVE SYSTEM

	Driver	Voltage	Current
Single Colour	Eaglerise	36V	350mA x2
Dimmable	TRIAC	36V	350mA x2
Smart	Sigmesh (Bluetooth Based)	36V	350mA x2
	Zigbee (Wifi Based)	36V	350mA x2
Dali	Dt 6	36V	350mA x2
	Dt 8	36V	350mA x2

DIMMING & TUNING TECHNOLOGY

RF 2.4G + BLE TRIAC/PHASE CUT ZIGBEE



Finish

White | Black

META SQ



META SQ 15W



APPLICATION

IP Rating
IP20

Recommended Use
Indoor Use

Installation
Recessed Ceiling
Mounting

TECHNICAL SPECIFICATIONS

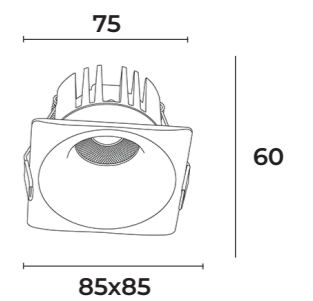
LED Light Source _____ Ledvance | Cree Pro | Tyanshine
CCT _____ 3000K | 4000K | 6000K | 2700K - 6500K Tunable
CRI _____ >90
Lens _____ 36° / 24° / 15°
Luminous Flux _____ 1200 Lm
Efficiency _____ 90 Lm/W
Material _____ Aluminium Die-Cast

DRIVE SYSTEM

	Driver	Voltage	Current
Single Colour	Eaglerise	36V	350mA
Dimmable	TRIAC	36V	350mA
Smart	Sigmesh (Bluetooth Based)	36V	350mA
	Zigbee (Wifi Based)	36V	350mA
Dali	Dt 6	36V	350mA
	Dt 8	36V	350mA

DIMMING & TUNING TECHNOLOGY

RF 2.4G + BLE TRIAC/PHASE CUT ZIGBEE



Finish

White | Black



CINDER 3L



CINDER 3L 6W



APPLICATION

IP Rating
IP20

Recommended Use
Indoor Use

Installation
Recessed Ceiling
Mounting

TECHNICAL SPECIFICATIONS

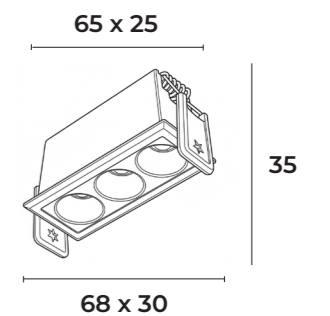
LED Light Source	BRIDGELUX
CCT	3000K 4000K 6000k 2700K - 6500K Tunable
CRI	>90
Lens	24°
Luminous Flux	420 Lm
Efficiency	70 Lm/W
Material	Aluminium

DRIVE SYSTEM

	Driver	Voltage	Current
Single Colour	Eaglerise	36V	150mA
Dimmable	TRIAC	36V	150mA
Dali	Dt 6	36V	150mA
	Dt 8	36V	150mA
Smart	Sigmesh (Bluetooth Based)	36V	150mA
	Zigbee (Wifi Based)	36V	150mA

DIMMING & TUNING TECHNOLOGY

RF 2.4G + BLE TRIAC/PHASE CUT ZIGBEE



Finish

White + Black



Black + Black



CINDER 6L



CINDER 6L 12W



APPLICATION

IP Rating
IP20

Recommended Use
Indoor Use

Installation
Recessed Ceiling
Mounting

TECHNICAL SPECIFICATIONS

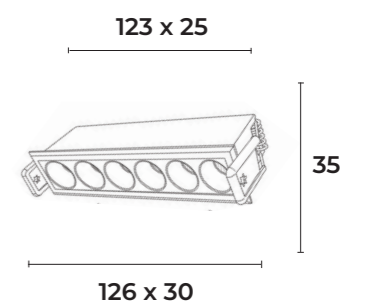
LED Light Source	BRIDGELUX
CCT	3000K 4000K 6000k 2700K - 6500K Tunable
CRI	>90
Lens	24°
Luminous Flux	840 Lm
Efficiency	70 Lm/W
Material	Aluminium

DRIVE SYSTEM

	Driver	Voltage	Current
Single Colour	Eaglerise	36V	300mA
Dimmable	TRIAC	36V	300mA
Smart	Sigmesh (Bluetooth Based)	36V	300mA
	Zigbee (Wifi Based)	36V	300mA
Dali	Dt 6	36V	300mA
	Dt 8	36V	300mA

DIMMING & TUNING TECHNOLOGY

RF 2.4G + BLE TRIAC/PHASE CUT ZIGBEE



Finish

White + Black



Black + Black



CINDER 12L

CINDER 12L 20W



APPLICATION

IP Rating
IP20

Recommended Use
Indoor Use

Installation
Recessed Ceiling
Mounting

TECHNICAL SPECIFICATIONS

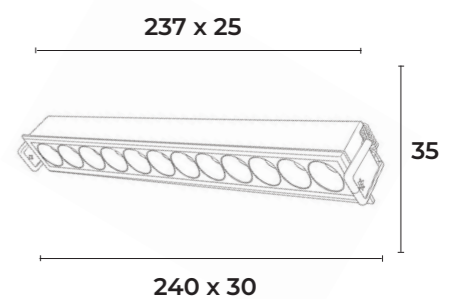
LED Light Source	BRIDGELUX
CCT	3000K 4000K 6000k 2700K - 6500K Tunable
CRI	>90
Lens	24°
Luminous Flux	1680 Lm
Efficiency	70 Lm/W
Material	Aluminium

DRIVE SYSTEM

	Driver	Voltage	Current
Single Colour	Eaglerise	36V	500mA
Dimmable	TRIAC	36V	500mA
Smart	Sigmesh (Bluetooth Based)	36V	500mA
	Zigbee (Wifi Based)	36V	500mA
Dali	Dt 6	36V	500mA
	Dt 8	36V	500mA

DIMMING & TUNING TECHNOLOGY

RF 2.4G + BLE TRIAC/PHASE CUT ZIGBEE



Finish

White + Black



Black + Black



RAZE 6L



RAZE 6L 6W



APPLICATION

IP Rating
IP20

Recommended Use
Indoor Use

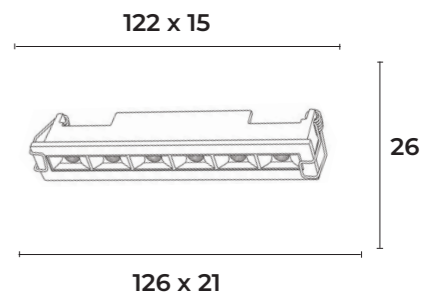
Installation
Recessed Ceiling
Mounting

TECHNICAL SPECIFICATIONS

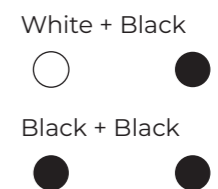
LED Light Source	BRIDGELUX
CCT	3000K 4000K
CRI	>90
Lens	24°
Luminous Flux	420 Lm
Efficiency	70 Lm/W
Material	Aluminium

DRIVE SYSTEM

	Driver	Voltage	Current
Single Colour	Eaglerise	36V	150mA
Dimmable	TRIAC	36V	150mA
Smart	Sigmesh (Bluetooth Based)	36V	150mA
	Zigbee (Wifi Based)	36V	150mA
Dali	Dt 6	36V	150mA
	Dt 8	36V	150mA



Finish



RAZE 12L

RAZE 12L 12W



APPLICATION

IP Rating
IP20

Recommended Use
Indoor Use

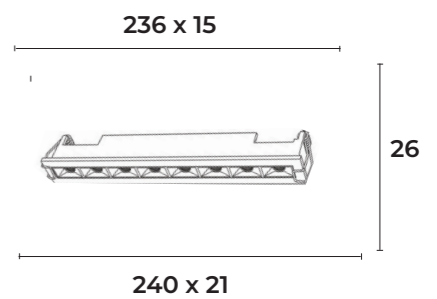
Installation
Recessed Ceiling
Mounting

TECHNICAL SPECIFICATIONS

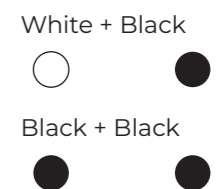
LED Light Source	BRIDGELUX
CCT	3000K 4000K
CRI	>90
Lens	24°
Luminous Flux	840 Lm
Efficiency	70 Lm/W
Material	Aluminium

DRIVE SYSTEM

	Driver	Voltage	Current
Single Colour	Eaglerise	36V	300mA
Dimmable	TRIAC	36V	300mA
Smart	Sigmesh (Bluetooth Based)	36V	300mA
	Zigbee (Wifi Based)	36V	300mA
Dali	Dt 6	36V	300mA
	Dt 8	36V	280mA



Finish



MOVE 6L



MOVE 6L 6W



TILTABLE

APPLICATION

IP Rating
IP20

Recommended Use
Indoor Use

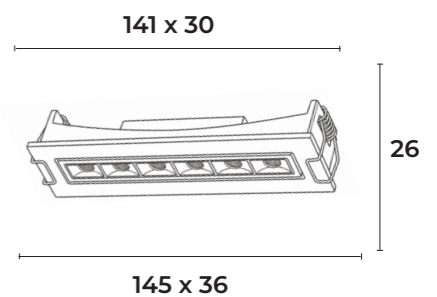
Installation
Recessed Ceiling
Mounting

TECHNICAL SPECIFICATIONS

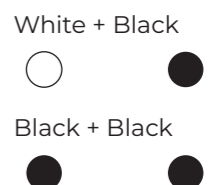
LED Light Source	BRIDGELUX
CCT	3000K 4000K
CRI	>90
Lens	24°
Luminous Flux	420 Lm
Efficiency	70 Lm/W
Material	Aluminium

DRIVE SYSTEM

	Driver	Voltage	Current
Single Colour	Eaglerise	36V	150mA
Dimmable	TRIAC	36V	150mA
Smart	Sigmesh (Bluetooth Based)	36V	150mA
	Zigbee (Wifi Based)	36V	150mA
Dali	Dt 6	36V	150mA
	Dt 8	36V	150mA



Finish



MOVE 12L

MOVE 12L 12W



TILTABLE

APPLICATION

IP Rating
IP20

Recommended Use
Indoor Use

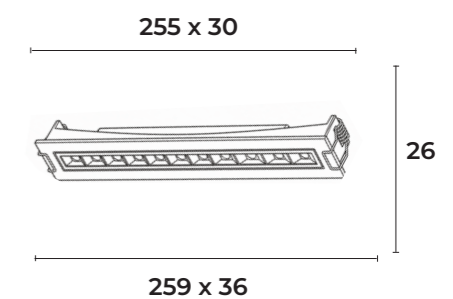
Installation
Recessed Ceiling
Mounting

TECHNICAL SPECIFICATIONS

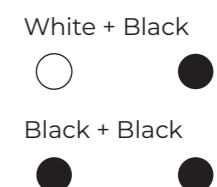
LED Light Source	BRIDGELUX
CCT	3000K 4000K
CRI	>90
Lens	24°
Luminous Flux	840 Lm
Efficiency	70 Lm/W
Material	Aluminium

DRIVE SYSTEM

	Driver	Voltage	Current
Single Colour	Eaglerise	36V	280mA
Dimmable	TRIAC	36V	280mA
Smart	Sigmesh (Bluetooth Based)	36V	280mA
	Zigbee (Wifi Based)	36V	280mA
Dali	Dt 6	36V	280mA
	Dt 8	36V	280mA



Finish



CLOVER 3L TL



CLOVER 3L 6W TL

APPLICATION

IP Rating
IP20

Recommended Use
Indoor Use

Installation
Recessed Ceiling
Mounting

TECHNICAL SPECIFICATIONS

LED Light Source _____ BRIDGELUX

CCT _____ 3000K | 4000 K

CRI _____ >90

Lens _____ 30°

Luminous Flux _____ 420 Lm

Efficiency _____ 70 Lm/W

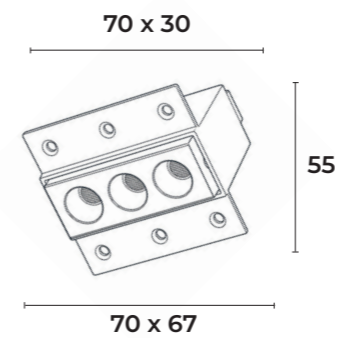
Material _____ Aluminium

DRIVE SYSTEM

	Driver	Voltage	Current
Single Colour	Eaglerise	36V	150mA
Dimmable	TRIAC	36V	150mA
Smart	Sigmesh (Bluetooth Based)	36V	150mA
	Zigbee (Wifi Based)	36V	150mA
Dali	Dt 6	36V	150mA
	Dt 8	36V	150mA

Finish

White



CLOVER 6L TL



CLOVER 6L 12W TL

APPLICATION

IP Rating
IP20

Recommended Use
Indoor Use

Installation
Recessed Ceiling
Mounting

TECHNICAL SPECIFICATIONS

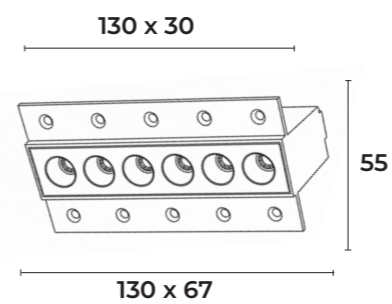
LED Light Source _____ BRIDGELUX
CCT _____ 3000K | 4000K
CRI _____ >90
Lens _____ 30°
Luminous Flux _____ 840 Lm
Efficiency _____ 70 Lm/W
Material _____ Aluminium

DRIVE SYSTEM

	Driver	Voltage	Current
Single Colour	Eaglerise	36V	250mA
Dimmable	TRIAC	36V	250mA
Smart	Sigmesh (Bluetooth Based)	36V	250mA
	Zigbee (Wifi Based)	36V	250mA
Dali	Dt 6	36V	250mA
	Dt 8	36V	250mA

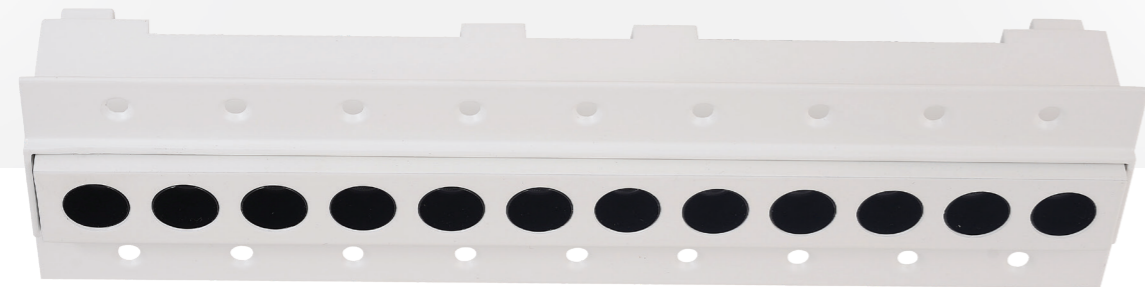
Finish

White



CLOVER 12L TL

CLOVER 12L 20W TL



APPLICATION

IP Rating
IP20

Recommended Use
Indoor Use

Installation
Recessed Ceiling
Mounting

TECHNICAL SPECIFICATIONS

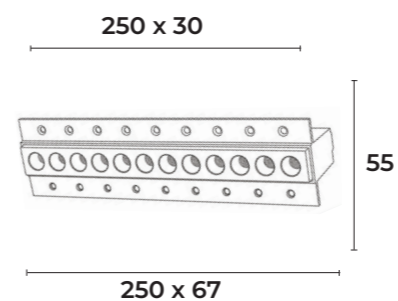
LED Light Source _____ BRIDGELUX
CCT _____ 3000K | 4000K
CRI _____ >90
Lens _____ 30°
Luminous Flux _____ 1680 Lm
Efficiency _____ 70 Lm/W
Material _____ Aluminium

DRIVE SYSTEM

	Driver	Voltage	Current
Single Colour	Eaglerise	36V	500mA
Dimmable	TRIAC	36V	500mA
Smart	Sigmesh (Bluetooth Based)	36V	500mA
	Zigbee (Wifi Based)	36V	500mA
Dali	Dt 6	36V	500mA
	Dt 8	36V	500mA

Finish

White





Lighting is a jewelry of architecture

VENUS



VENUS 8W



APPLICATION

IP Rating
IP20

Recommended Use
Indoor Use

Installation
Surface Mounted

TECHNICAL SPECIFICATIONS

LED Light Source _____ BRIDGELUX
CCT _____ 3000K | 4000K
CRI _____ >90
Lens _____ 38°
Luminous Flux _____ 600 Lm
Efficiency _____ 75 Lm/W
Material _____ Aluminium

DRIVE SYSTEM

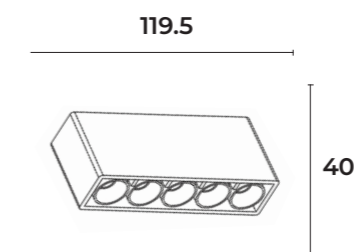
Driver	Voltage	Current
Single Colour	36V	200mA

Finish

White + Black



Black + Black



FINE



FINE 1W

APPLICATION

IP Rating
IP20

Recommended Use
Indoor Use

Installation
Recessed Ceiling
Mounting

TECHNICAL SPECIFICATIONS

LED Light Source _____ Bridgelux

CCT _____ 3000K | 4000K

CRI _____ >90

Lens _____ 24°

Luminous Flux _____ 60 Lm

Efficiency _____ 60 Lm/W

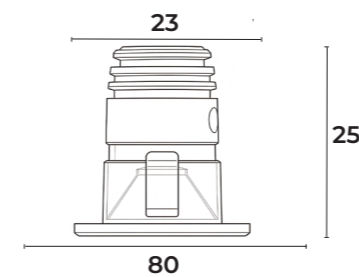
Material _____ Aluminium Die-Cast

DRIVE SYSTEM

Driver	Voltage	Current
Single Colour	10V	300mA

Finish

White | Black



BRIO



TILTABLE

BRIO 3W

APPLICATION

IP Rating
IP20

Recommended Use
Indoor Use

Installation
Recessed Ceiling
Mounting

TECHNICAL SPECIFICATIONS

LED Light Source _____ Bridgelux

CCT _____ 3000K | 4000K | 6000K

CRI _____ >90

Lens _____ 36°

Luminous Flux _____ 210 Lm

Efficiency _____ 70 Lm/W

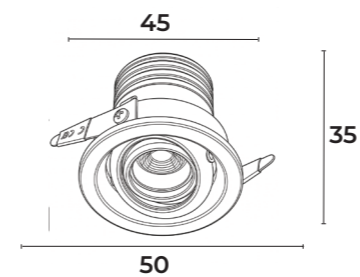
Material _____ Aluminium Die-Cast

DRIVE SYSTEM

Driver	Voltage	Current
Single Colour	10V	300mA

Finish

White | Black





ICON 3W

APPLICATION

IP Rating
IP20

Recommended Use
Indoor Use

Installation
Recessed Ceiling
Mounting

TECHNICAL SPECIFICATIONS

LED Light Source _____ BRIDGELUX

CCT _____ 3000K | 4000K | 6000K

CRI _____ >90

Beam Angle _____ 45°

Luminous Flux _____ 210 Lm

Efficiency _____ 70 Lm/W

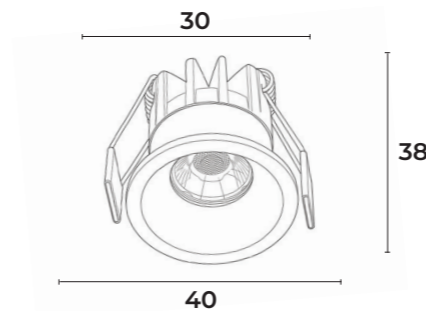
Material _____ Aluminium

DRIVE SYSTEM

Driver	Voltage	Current
Single Colour	6-12V	300mA

Finish

White



INTI



INTI 3W

APPLICATION

IP Rating
IP20

Recommended Use
Indoor Use

Installation
Recessed Ceiling
Mounting

TECHNICAL SPECIFICATIONS

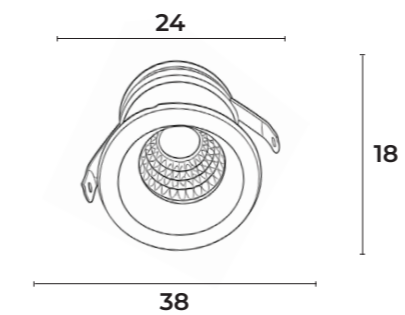
LED Light Source _____ BRIDGELUX
CCT _____ 3000K | 4000K
CRI _____ >90
Beam Angle _____ 45°
Luminous Flux _____ 210 Lm
Efficiency _____ 70 Lm/W
Material _____ Aluminium

DRIVE SYSTEM

Driver	Voltage	Current
Single Colour	10V	300mA

Finish

White + Black



ZON



ZON 3W

APPLICATION

IP Rating
IP20

Recommended Use
Indoor Use

Installation
Recessed Ceiling
Mounting

TECHNICAL SPECIFICATIONS

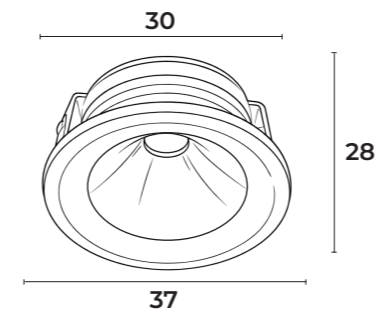
LED Light Source _____ BRIDGELUX
CCT _____ 3000K | 4000K
CRI _____ >90
Beam Angle _____ 45°
Luminous Flux _____ 210 Lm
Efficiency _____ 70 Lm/W
Material _____ Aluminium

DRIVE SYSTEM

Driver	Voltage	Current
Single Colour	10V	300mA

Finish

White + Black



RAY 20



RAY 20 3W



APPLICATION

IP Rating
IP20

Recommended Use
Indoor Use

Installation
Recessed Ceiling
Mounting

TECHNICAL SPECIFICATIONS

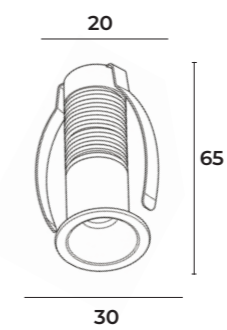
LED Light Source _____ BRIDGELUX
CCT _____ 3000K | 4000K
CRI _____ >90
Lens _____ 24°
Luminous Flux _____ 165 Lm
Efficiency _____ 55 Lm/W
Material _____ Aluminium Die-Cast

DRIVE SYSTEM

Driver	Voltage	Current
Single Colour	3V	700mA

Finish

White | Black



RAY 25



RAY 25 3W



APPLICATION

IP Rating
IP20

Recommended Use
Indoor Use

Installation
Recessed Ceiling
Mounting

TECHNICAL SPECIFICATIONS

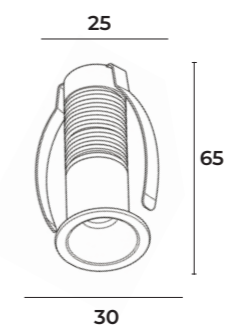
LED Light Source _____ BRIDGELUX
CCT _____ 3000K | 4000K
CRI _____ >90
Lens _____ 24°
Luminous Flux _____ 180 Lm
Efficiency _____ 60 Lm/W
Material _____ Aluminium Die-Cast

DRIVE SYSTEM

Driver	Voltage	Current
Single Colour	3V	700mA

Finish

White | Black





Light for every walk of life

GEO



GEO 3W

APPLICATION

IP Rating
IP20

Recommended Use
Indoor Use
Outdoor Use

Installation
Recessed Mounting

TECHNICAL SPECIFICATIONS

LED Light Source _____ BRIDGELUX

CCT _____ 3000K

CRI _____ >90

Lens _____ 26°

Luminous Flux _____ 180 Lm

Efficiency _____ 60 Lm/W

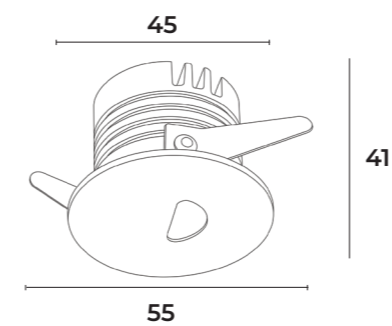
Material _____ Aluminium

DRIVE SYSTEM

Driver	Voltage	Current
Single Colour	3V	700mA

Finish

White



MUD



MUD 3W

APPLICATION

IP Rating
IP65

Recommended Use
Indoor Use
Outdoor Use

Installation
Recessed Mounting

TECHNICAL SPECIFICATIONS

LED Light Source _____ BRIDGELUX

CCT _____ 3000K

CRI _____ >90

Lens _____ 26°

Luminous Flux _____ 180 Lm

Efficiency _____ 60 Lm/W

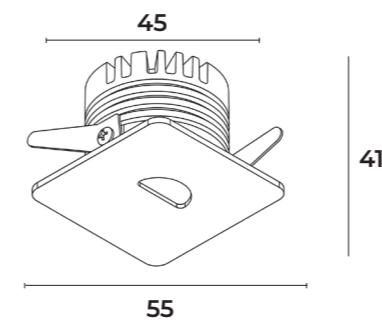
Material _____ Aluminium

DRIVE SYSTEM

Driver	Voltage	Current
Single Colour	3V	700mA

Finish

White



NIO



NIO 3W

APPLICATION

IP Rating
IP65

Recommended Use
Indoor Use
Outdoor Use

Installation
Recessed Mounting

TECHNICAL SPECIFICATIONS

LED Light Source _____ BRIDGELUX

CCT _____ 3000K

CRI _____ >90

Lens _____ 26°

Luminous Flux _____ 180 Lm

Efficiency _____ 60 Lm/W

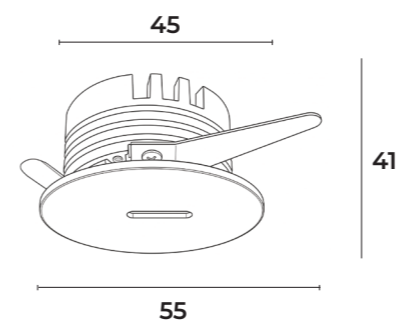
Material _____ Aluminium

DRIVE SYSTEM

Driver	Voltage	Current
Single Colour	3V	700mA

Finish

White



ERDE



ERDE 3W

APPLICATION

IP Rating
IP65

Recommended Use
Indoor Use
Outdoor Use

Installation
Recessed Mounting

TECHNICAL SPECIFICATIONS

LED Light Source _____ BRIDGELUX

CCT _____ 3000K

CRI _____ >90

Lens _____ 26°

Luminous Flux _____ 180 Lm

Efficiency _____ 60 Lm/W

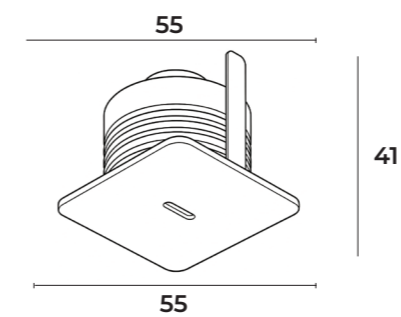
Material _____ Aluminium

DRIVE SYSTEM

Driver	Voltage	Current
Single Colour	36V	700mA

Finish

White



CLOUD



CLOUD 12W

APPLICATION

IP Rating
IP20

Recommended Use
Indoor Use

Installation
Recessed Ceiling
Mounting

TECHNICAL SPECIFICATIONS

LED Light Source _____ BRIDGELUX

CCT _____ 3000K | 4000K | 6000k | 2700K - 6500K Tunable

CRI _____ >90

Lens _____ Diffuser

Luminous Flux _____ 1080 Lm

Efficiency _____ 90 Lm/W

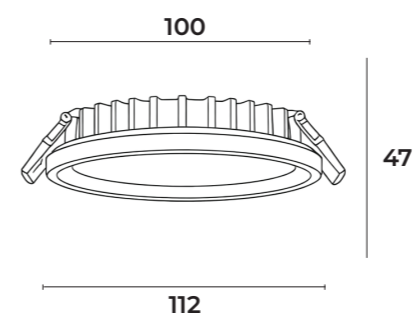
Material _____ Aluminium

DRIVE SYSTEM

	Driver	Voltage	Current
Single Colour		36V	300mA
Dimmable	TRIAC	36V	300mA
Smart	Sigmesh (Bluetooth Based)	36V	300mA
	Zigbee (Wifi Based)	36V	300mA
Dali	Dt 6	36V	300mA
	Dt 8	36V	300mA

Finish

White



DIMMING & TUNING TECHNOLOGY



RF 2.4G + BLE TRIAC/PHASE CUT ZIGBEE

CLOUD



CLOUD 18W

APPLICATION

IP Rating
IP20

Recommended Use
Indoor Use

Installation
Recessed Ceiling
Mounting

TECHNICAL SPECIFICATIONS

LED Light Source _____ BRIDGELUX

CCT _____ 3000K | 4000K | 6000k | 2700K - 6500K Tunable

CRI _____ >90

Lens _____ Diffuser

Luminous Flux _____ 1620 Lm

Efficiency _____ 90 Lm/W

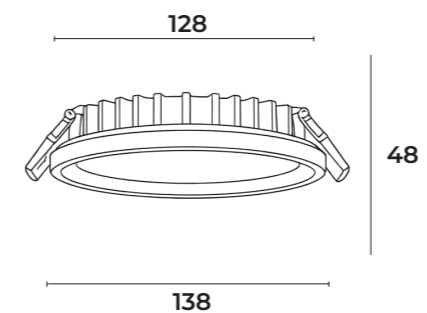
Material _____ Aluminium

DRIVE SYSTEM

	Driver	Voltage	Current
Single Colour		60V	300mA
Dimmable	TRIAC	60V	300mA
Smart	Sigmesh (Bluetooth Based)	60V	300mA
	Zigbee (Wifi Based)	60V	300mA
Dali	Dt 6	60V	300mA
	Dt 8	60V	300mA

Finish

White



DIMMING & TUNING TECHNOLOGY

 RF 2.4G + BLE TRIAC/PHASE CUT ZIGBEE

CLOUD

CLOUD 24W



APPLICATION

IP Rating
IP20

Recommended Use
Indoor Use

Installation
Recessed Ceiling
Mounting

TECHNICAL SPECIFICATIONS

LED Light Source _____ BRIDGELUX

CCT _____ 3000K | 4000K | 6000k | 2700K - 6500K Tunable

CRI _____ >90

Lens _____ Diffuser

Luminous Flux _____ 2160 Lm

Efficiency _____ 90 Lm/W

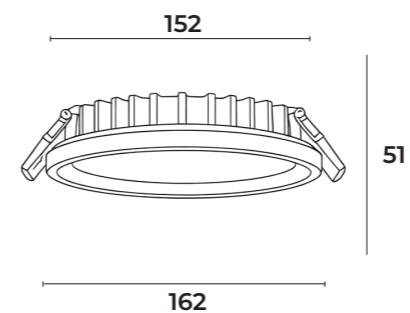
Material _____ Aluminium

DRIVE SYSTEM

	Driver	Voltage	Current
Single Colour		36V	600mA
Dimmable	TRIAC	36V	600mA
Smart	Sigmesh (Bluetooth Based)	36V	600mA
	Zigbee (Wifi Based)	36V	600mA
Dali	Dt 6	36V	600mA
	Dt 8	36V	600mA

Finish

White



DIMMING & TUNING TECHNOLOGY

 RF 2.4G + BLE TRIAC/PHASE CUT ZIGBEE

ZEN

ZEN 12W



APPLICATION

IP Rating
Ip20

Recommended Use
Indoor Use

Installation
Recessed Ceiling
Mounting

TECHNICAL SPECIFICATIONS

LED Light Source _____ BRIDGELUX

CCT _____ 3000K | 4000K | 6000k | 2700K - 6500K Tunable

CRI _____ >90

Lens _____ Diffuset

Luminous Flux _____ 420 Lm

Efficiency _____ 70 Lm/W

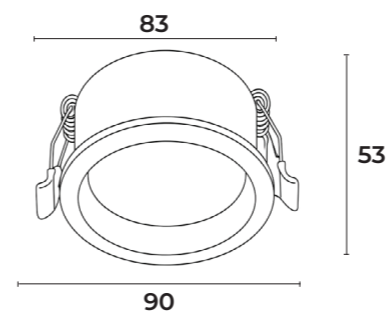
Material _____ Aluminium

DRIVE SYSTEM

	Driver	Voltage	Current
Single Colour		36V	300mA
Dimmable	TRIAC	36V	300mA
Smart	Sigmesh (Bluetooth Based)	36V	300mA
	Zigbee (Wifi Based)	36V	300mA
Dali	Dt 6	36V	300mA
	Dt 8	36V	300mA

Finish

White



DIMMING & TUNING TECHNOLOGY

 RF 2.4G + BLE TRIAC/PHASE CUT ZIGBEE

ZEN



ZEN 18W

APPLICATION

IP Rating
Ip20

Recommended Use
Indoor Use

Installation
Recessed Ceiling
Mounting

TECHNICAL SPECIFICATIONS

LED Light Source _____ BRIDGELUX

CCT _____ 3000K | 4000K | 6000k | 2700K - 6500K Tunable

CRI _____ >90

Lens _____ Diffuser

Luminous Flux _____ 1620 Lm

Efficiency _____ 90 Lm/W

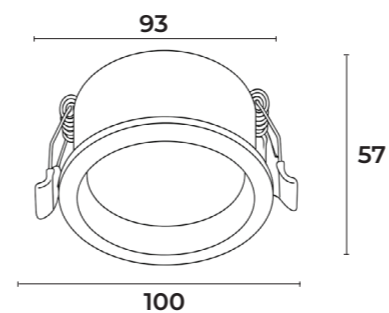
Material _____ Aluminium

DRIVE SYSTEM

	Driver	Voltage	Current
Single Colour		60V	300mA
Dimmable	TRIAC	60V	300mA
Smart	Sigmesh (Bluetooth Based)	60V	300mA
	Zigbee (Wifi Based)	60V	300mA
Dali	Dt 6	60V	300mA
	Dt 8	60V	300mA

Finish

White



DIMMING & TUNING TECHNOLOGY

 RF 2.4G + BLE TRIAC/PHASE CUT ZIGBEE

ZEN 24W



APPLICATION

IP Rating
Ip20

Recommended Use
Indoor Use

Installation
Recessed Ceiling
Mounting

TECHNICAL SPECIFICATIONS

LED Light Source _____ BRIDGELUX

CCT _____ 3000K | 4000K | 6000k | 2700K - 6500K Tunable

CRI _____ >90

Lens _____ Diffuser

Luminous Flux _____ 2160 Lm

Efficiency _____ 90 Lm/W

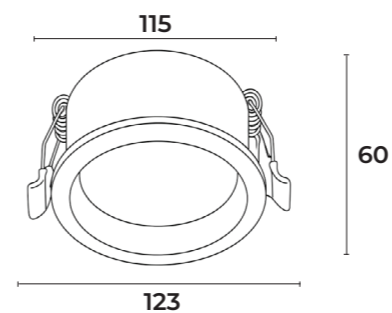
Material _____ Aluminium

DRIVE SYSTEM

	Driver	Voltage	Current
Single Colour		40V	600mA
Dimmable	TRIAC	40V	600mA
Smart	Sigmesh (Bluetooth Based)	40V	600mA
	Zigbee (Wifi Based)	40V	600mA
Dali	Dt 6	40V	600mA
	Dt 8	40V	600mA

Finish

White



DIMMING & TUNING TECHNOLOGY

 RF 2.4G + BLE TRIAC/PHASE CUT ZIGBEE

LEX 10W (MODULE LAMP)



APPLICATION

IP Rating
IP20

Recommended Use
Indoor Use

Installation
Recessed Ceiling Mounting

TECHNICAL SPECIFICATIONS

LED Light Source _____ Ledvance | Cree Pro | Tyanshine

CCT _____ 3000K | 4000K | 6000K | 2700K to 6500K Tunable

CRI _____ >90

Lens _____ Reflector

Luminous Flux _____ 800 Lm

Efficiency _____ 80 Lm/W

Material _____ Aluminium Die-Cast

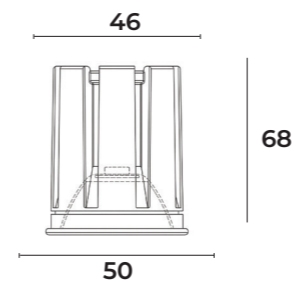
DRIVE SYSTEM

	Driver	Voltage	Current
Single Colour	Eaglerise	36V	250mA
Dimmable	TRIAC	36V	250mA
Smart	Sigmesh (Bluetooth Based)	36V	250mA
	Zigbee (Wifi Based)	36V	250mA
Dali	Dt 6	36V	250mA
	Dt 8	36V	250mA

Finish

Black

●



DIMMING & TUNING TECHNOLOGY

RF 2.4G + BLE TRIAC/PHASE CUT ZIGBEE

JMMC INDIA
Your Brand Our Responsibility

YOUR BRAND
OUR
RESPONSIBILITY

JMMC INDIA PRIVATE LIMITED

CIN: U27331MH2025PTC456700

Factory Address: 104-105, 1st Floor, Bldg. No.3, Square Industrial Park,
Tungarfata Rd, Off NH48, Vasai Maharashtra - 401 208.

Corporate Address: Shop No.10, Pittalwala Apts, Tilak Road, Santacruz
West, Mumbai 400054.

Email: contact@jmmcindia.com

Website: www.jmmcindia.com

All rights reserved.

This catalog is the exclusive property of JMMC INDIA PRIVATE LIMITED. No part of this publication may be reproduced, stored, or transmitted in any form without prior written permission.