

BALANCE ONE



Lighting Collection
2026

JMMC INDIA
Your Brand Our Responsibility

JAI MAHAKALIMAA
MANUFACTURING COMPANY



Ambience is Everything

INDEX



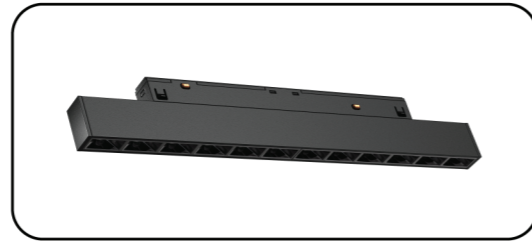
TRACE - TRACKSPT
Pg.1-8



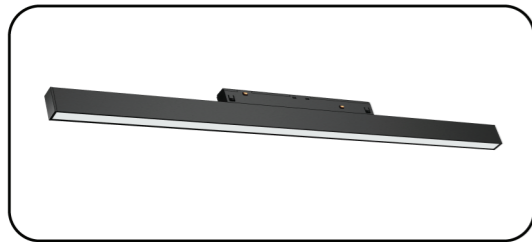
CHANCE - TRACKSPOT
Pg.11-14



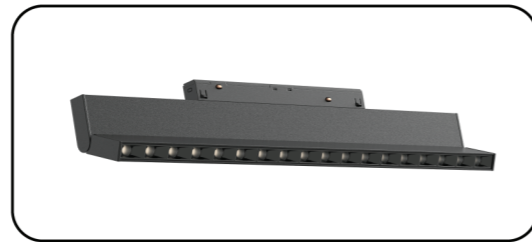
TAZ - INFINIA 10mm
Pg.19-22



LINEAR SPOT - INFINIA 10mm
Pg.23-28



DIFFUSED - INFINIA 10mm
Pg.29-32



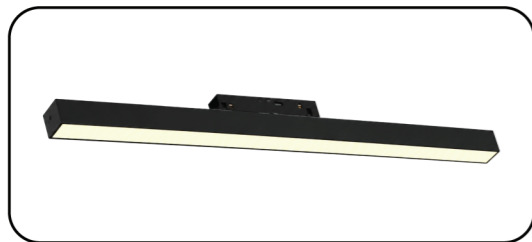
LINEAR TILT - INFINIA 10mm
Pg.33-36



TAIYO - MAGMA 20mm
Pg.43-48



LINEAR SPOT - MAGMA 20mm
Pg.49-54



DIFFUSED - MAGMA 20mm
Pg.55-58



LINEAR TILT - MAGMA 20mm
Pg.59-64

GUIDELINES AND POLICIES

Placing Orders

All orders must be placed through the designated client-factory group. Based on client requirements, an Order Confirmation will be issued by us along with delivery timelines. Orders will be processed only upon client confirmation.

Returns & Exchanges

No Returns, Refunds, or Exchanges are accepted as all products are custom made to specific requirements.

Payment Terms

100% advance payment is required. We follow a strict no-credit policy.

Product Usage Instructions

Clients are advised to review the IP Rating and Installation Guidelines provided for each product.

*Warranty & Service

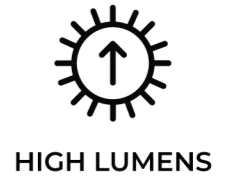
We offer an exclusive 2-year warranty on each fixture, covering defects in LED chips or Drivers, or if the product stops working under normal usage within 2 Years from date of manufacture. This warranty does not cover damage due to short circuits, voltage fluctuations, moisture or physical damage.

Important Note: All Images in this catalogue are based on actual product references and are for illustrative purposes only. Actual performance may vary depending on application and conditions. Dimensions are highly accurate but remain indicative and should be verified with the physical product. Certain visuals are the property of their rightful owners and are used for illustrative purposes only, no copyright infringement is intended. Product availability is subject to change without prior notice.

CERTIFICATIONS



FEATURES



All drivers used in our products are 100% BIS approved.
All fixtures featured in this catalog are BIS certified and in compliance with BIS Norms.



1. Luxury Showroom



2. Premium Office



3. Boutique Residence



4. High Rise Tower Lobby



5. Factories

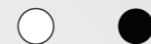


6. Hotel Lobby



TRACK CHANNEL - 2 LINE

Finish:
White | Black



Available Size:
1M: L1000 x W34 x H20 1 Meter Length
1.5M: L1500 x W34 x H20 1.5 Meter Length
2M: L2000 x W34 x H20 2 Meter Length

Installation:
Surface Mounted on Ceiling / Wall



Accessories Available:
Straight Connector / L Jointer / T Jointer / Cross Jointer / Universal Connector

TRACE TRACK SPOT



TRACE 7W



APPLICATION

IP Rating
IP20

Recommended Use
Indoor Use

Installation
Track Chanel
(Surface)

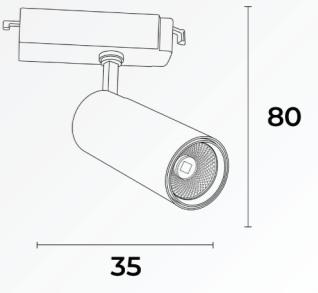
TECHNICAL SPECIFICATIONS

LED Light Source _____ Ledvance | Cree Pro | Tyanshine
CCT _____ 3000K / 4000K / 6000K / 2700K - 6500k Tunable
CRI _____ >90
Lens _____ 36° / 24°
Luminous Flux _____ 560 Lm
Efficiency _____ 80 Lm/W
Material _____ Aluminium Die-Cast

DRIVE SYSTEM

	Driver	Voltage	Current
Regular	Eaglerise	36V	150mA
Smart	Sigmesh (Bluetooth Based)	36V	150mA
	Zigbee (Wifi Based)	36V	150mA
Dali	Dt 6	36V	150mA
	Dt 8	36V	150mA

Finish
White | Black



TRACE TRACK SPOT



TRACE 12W



APPLICATION

IP Rating
IP20

Recommended Use
Indoor Use

Installation
Track Chanel
(Surface)

TECHNICAL SPECIFICATIONS

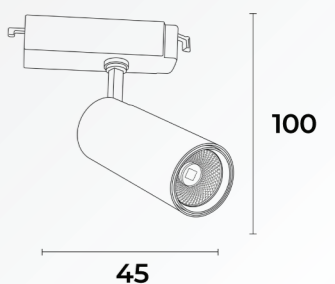
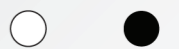
LED Light Source _____ Ledvance | Cree Pro | Tyanshine
CCT _____ 3000K / 4000K / 6000K / 2700K - 6500k Tunable
CRI _____ >90
Lens _____ 36° / 24°
Luminous Flux _____ 960 Lm
Efficiency _____ 80 Lm/W
Material _____ Aluminium Die-Cast

DRIVE SYSTEM

	Driver	Voltage	Current
Regular	Eaglerise	36V	300mA
Smart	Sigmesh (Bluetooth Based)	36V	300mA
	Zigbee (Wifi Based)	36V	300mA
Dali	Dt 6	36V	300mA
	Dt 8	36V	300mA

Finish

White | Black



TRACE TRACK SPOT



TRACE 18W



APPLICATION

IP Rating
IP20

Recommended Use
Indoor Use

Installation
Track Channel
(Surface)

TECHNICAL SPECIFICATIONS

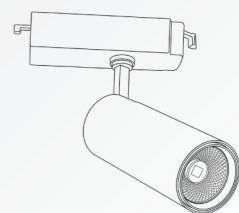
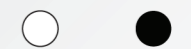
LED Light Source _____ Ledvance | Cree Pro | Tyanshine
CCT _____ 3000K / 4000K / 6000K / 2700K - 6500k Tunable
CRI _____ >90
Lens _____ 36° / 24°
Luminous Flux _____ 1440 Lm
Efficiency _____ 80 Lm/W
Material _____ Aluminium Die-Cast

DRIVE SYSTEM

	Driver	Voltage	Current
Regular	Eaglerise	36V	450mA
Smart	Sigmesh (Bluetooth Based)	36V	450mA
	Zigbee (Wifi Based)	36V	450mA
Dali	Dt 6	36V	450mA
	Dt 8	36V	450mA

Finish

White | Black



110

55

TRACE TRACK SPOT



TRACE 30W



APPLICATION

IP Rating
IP20

Recommended Use
Indoor Use

Installation
Track Channel
(Surface)

TECHNICAL SPECIFICATIONS

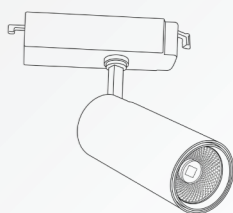
LED Light Source _____ Ledvance | Cree Pro | Tyanshine
CCT _____ 3000K / 4000K / 6000K / 2700K - 6500k Tunable
CRI _____ >90
Lens _____ 36° / 24°
Luminous Flux _____ 2400 Lm
Efficiency _____ 80 Lm/W
Material _____ Aluminium Die-Cast

DRIVE SYSTEM

	Driver	Voltage	Current
Regular	Eaglerise	36V	700mA
Smart	Sigmesh (Bluetooth Based)	36V	700mA
	Zigbee (Wifi Based)	36V	700mA
Dali	Dt 6	36V	700mA
	Dt 8	36V	700mA

Finish

White | Black



145

70



CHANCE TRACK SPOT



CHANCE 24W



APPLICATION

IP Rating
IP20

Recommended Use
Indoor Use

Installation
Track Chanel
(Surface)

TECHNICAL SPECIFICATIONS

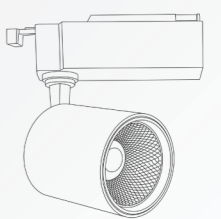
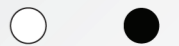
LED Light Source _____ Ledvance | Cree Pro | Tyanshine
CCT _____ 3000K / 4000K / 6000K / 2700K - 6500k Tunable
CRI _____ >90
Lens _____ 36° / 24°
Luminous Flux _____ 1920 Lm
Efficiency _____ 80 Lm/W
Material _____ Aluminium Die-Cast

DRIVE SYSTEM

	Driver	Voltage	Current
Regular	Eaglerise	36V	600mA
Smart	Sigmesh (Bluetooth Based)	36V	600mA
	Zigbee (Wifi Based)	36V	600mA
Dali	Dt 6	36V	600mA
	Dt 8	36V	600mA

Finish

White | Black



85

78

12

CHANCE TRACK SPOT



CHANCE 30W



APPLICATION

IP Rating
IP20

Recommended Use
Indoor Use

Installation
Track Chanel
(Surface)

TECHNICAL SPECIFICATIONS

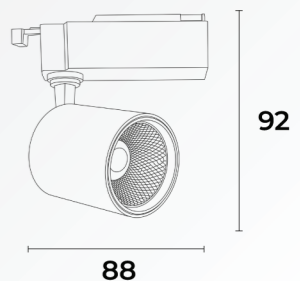
LED Light Source _____ Ledvance | Cree Pro | Tyanshine
CCT _____ 3000K / 4000K / 6000K / 2700K - 6500k Tunable
CRI _____ >90
Lens _____ 36° / 24°
Luminous Flux _____ 2400 Lm
Efficiency _____ 80 Lm/W
Material _____ Aluminium Die-Cast

DRIVE SYSTEM

	Driver	Voltage	Current
Regular	Eaglerise	36V	700mA
Smart	Sigmesh (Bluetooth Based)	36V	700mA
	Zigbee (Wifi Based)	36V	700mA
Dali	Dt 6	36V	700mA
	Dt 8	36V	700mA

Finish

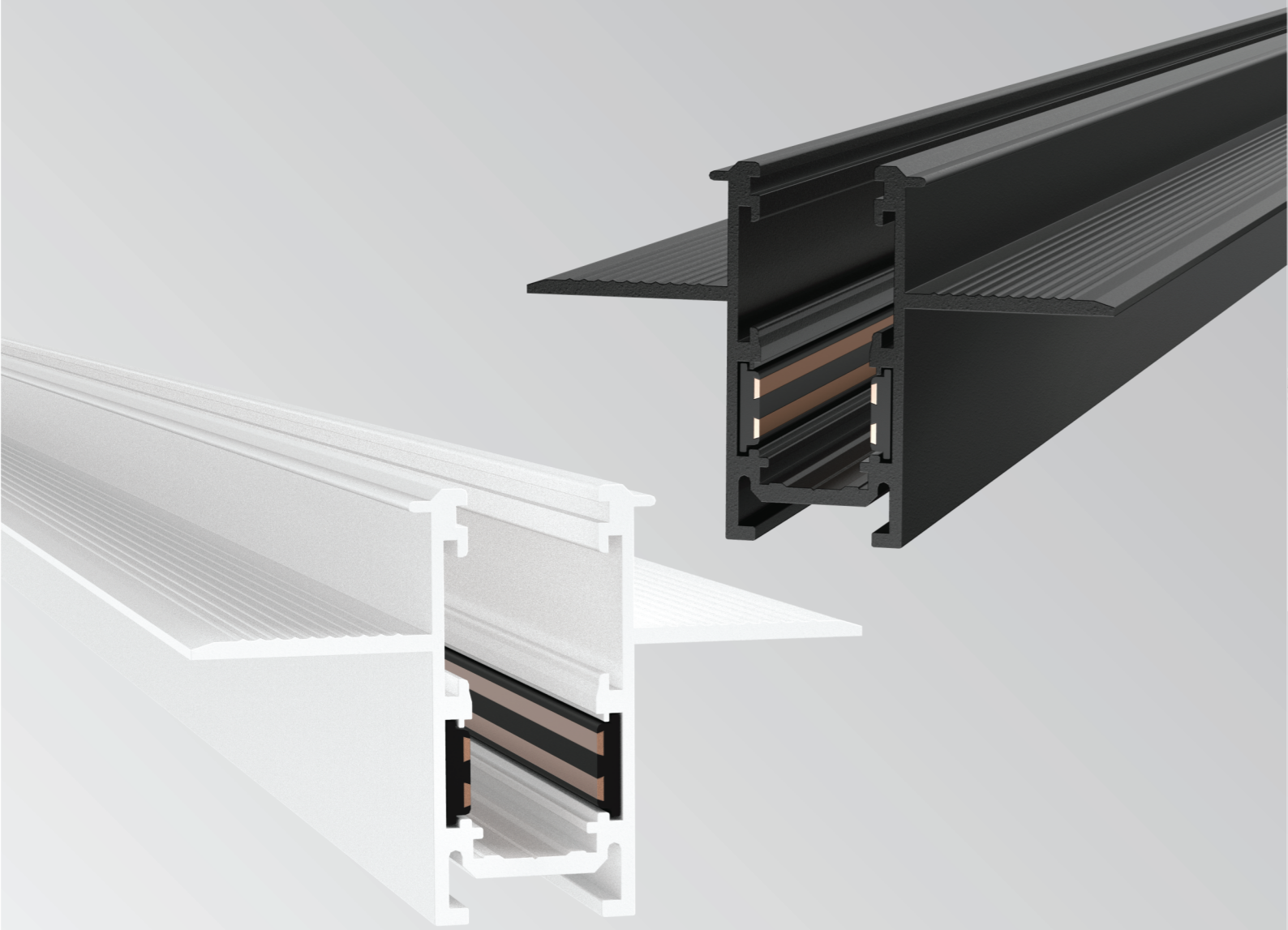
White | Black





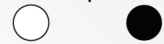
INFINIA

10MM MAGNETIC SYSTEM

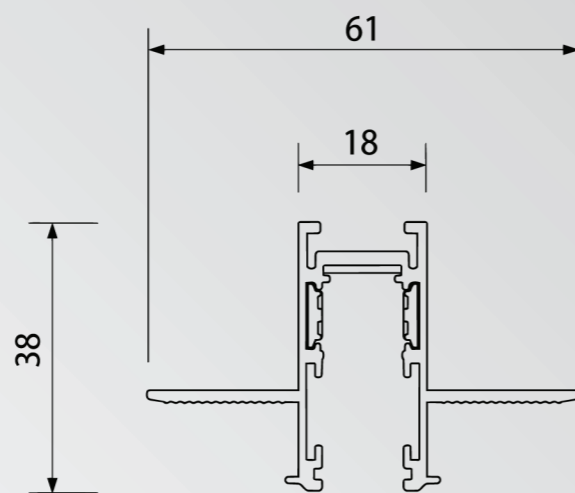


INFINIA
10mm MAGNETIC RECESSED TRACK

Finish:
White | Black

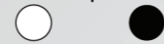


Available Size:
2M : L2000 x W61 x H38 2 Meter Length
3M : L3000 x W61 x H38 3 Meter Length

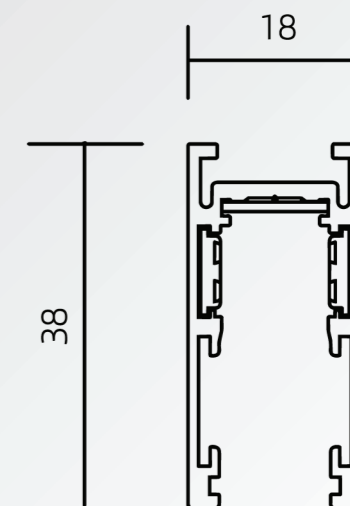


INFINIA
10mm MAGNETIC SURFACE TRACK

Finish:
White | Black



Available Size:
2M : L2000 x W61 x H38 2 Meter Length
3M : L3000 x W61 x H38 3 Meter Length



TAZ SPOT 10MM MAGNETIC



TAZ 10W

APPLICATION

IP Rating
IP20

Recommended Use
Indoor Use

Installation
10mm Magnetic Track
(Recessed / Surface / Hanging)

TECHNICAL SPECIFICATIONS

LED Light Source _____ BRIDGELUX

CCT _____ 3000K | 4000K | 6000K | 2700K to 6000K Tunable

CRI _____ >90

Lens _____ 36° / 24°

Luminous Flux _____ 80

Efficiency _____ 120 to 140 Lm/W

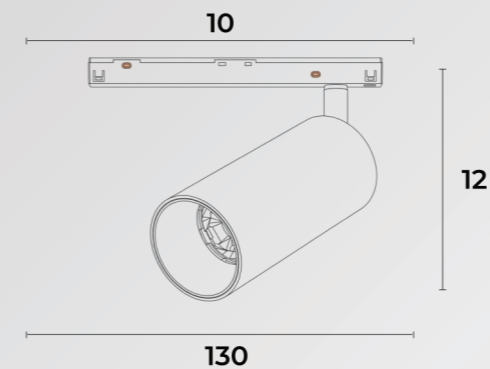
Material _____ Aluminium Die-Cast

DRIVE SYSTEM

	Driver	Voltage	Current
Single Colour	Eaglerise	36V	250mA
Smart	Sigmesh (Bluetooth Based)	36V	250mA
	Zigbee (Wifi Based)	36V	250mA
Dali	Dt 6	36V	250mA
	Dt 8	36V	250mA

Finish

White | Black



TAZ SPOT 10MM MAGNETIC



TAZ 15W

APPLICATION

IP Rating
IP20

Recommended Use
Indoor Use

Installation
10mm Magnetic Track
(Recessed / Surface / Hanging)

TECHNICAL SPECIFICATIONS

LED Light Source _____ BRIDGELUX

CCT _____ 3000K | 4000K | 6000K | 2700K to 6000K Tunable

CRI _____ >90

Lens _____ 36° / 24°

Luminous Flux _____ 80

Efficiency _____ 120 to 140 Lm/W

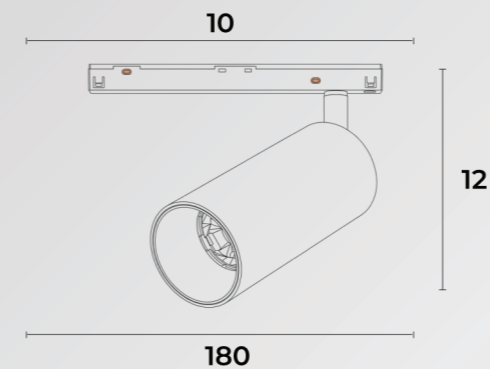
Material _____ Aluminium Die-Cast

DRIVE SYSTEM

	Driver	Voltage	Current
Single Colour	Eaglerise	36V	350mA
Smart	Sigmesh (Bluetooth Based)	36V	350mA
	Zigbee (Wifi Based)	36V	350mA
Dali	Dt 6	36V	350mA
	Dt 8	36V	350mA

Finish

White | Black



LINEAR SPOT 10MM MAGNETIC



LINEAR SPOT 10W

APPLICATION

IP Rating
IP20

Recommended Use
Indoor Use

Installation
10mm Magnetic Track
(Recessed / Surface / Hanging)

TECHNICAL SPECIFICATIONS

LED Light Source _____ BRIDGELUX

CCT _____ 3000K | 4000K | 6000K | 2700K to 6000K Tunable

CRI _____ >90

Lens _____ 30°

Luminous Flux _____ 80

Efficiency _____ 120 to 140 Lm/W

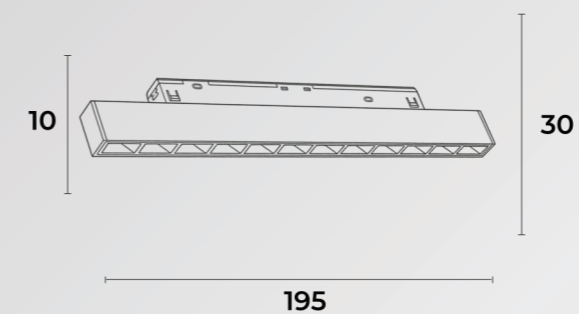
Material _____ Aluminium Die-Cast

DRIVE SYSTEM

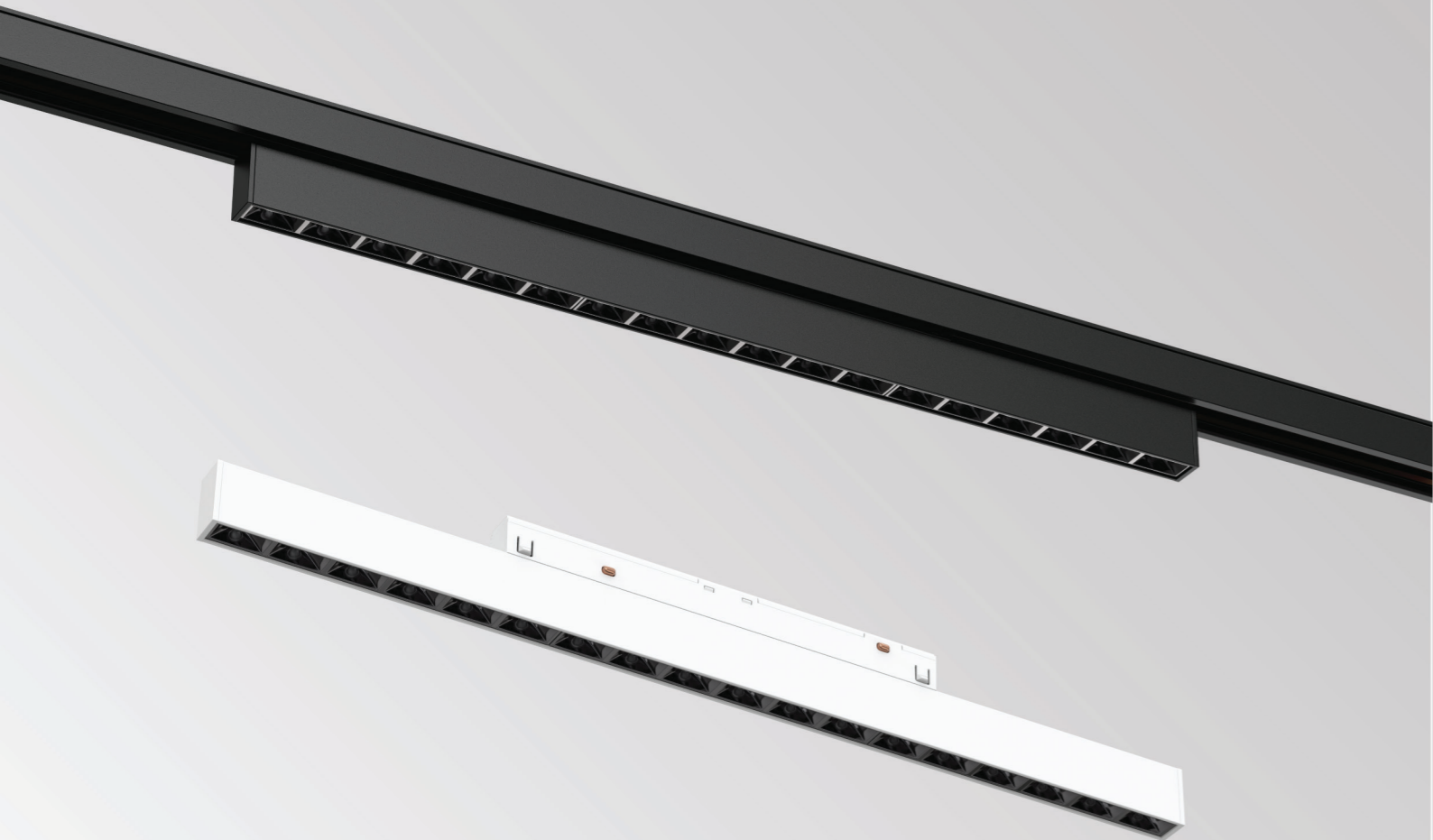
	Driver	Voltage	Current
Single Colour	Eaglerise	36V	250mA
Smart	Sigmesh (Bluetooth Based)	36V	250mA
	Zigbee (Wifi Based)	36V	250mA
Dali	Dt 6	36V	250mA
	Dt 8	36V	250mA

Finish

White | Black



LINEAR SPOT 10MM MAGNETIC



LINEAR SPOT 15W

APPLICATION

IP Rating
IP20

Recommended Use
Indoor Use

Installation
10mm Magnetic Track
(Recessed / Surface / Hanging)

TECHNICAL SPECIFICATIONS

LED Light Source _____ BRIDGELUX

CCT _____ 3000K | 4000K | 6000K | 2700K to 6000K Tunable

CRI _____ >90

Lens _____ 30°

Luminous Flux _____ 80

Efficiency _____ 120 to 140 Lm/W

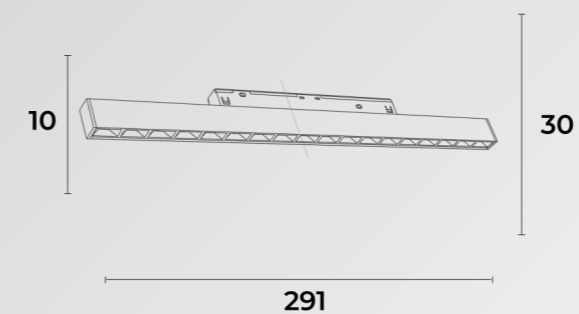
Material _____ Aluminium Die-Cast

DRIVE SYSTEM

	Driver	Voltage	Current
Single Colour	Eaglerise	36V	350mA
Smart	Sigmesh (Bluetooth Based)	36V	350mA
	Zigbee (Wifi Based)	36V	350mA
Dali	Dt 6	36V	350mA
	Dt 8	36V	350mA

Finish

White | Black



LINEAR SPOT 10MM MAGNETIC



LINEAR SPOT 20W

APPLICATION

IP Rating
IP20

Recommended Use
Indoor Use

Installation
10mm Magnetic Track
(Recessed / Surface / Hanging)

TECHNICAL SPECIFICATIONS

LED Light Source _____ BRIDGELUX

CCT _____ 3000K | 4000K | 6000K | 2700K to 6000K Tunable

CRI _____ >90

Lens _____ 30°

Luminous Flux _____ 80

Efficiency _____ 120 to 140 Lm/W

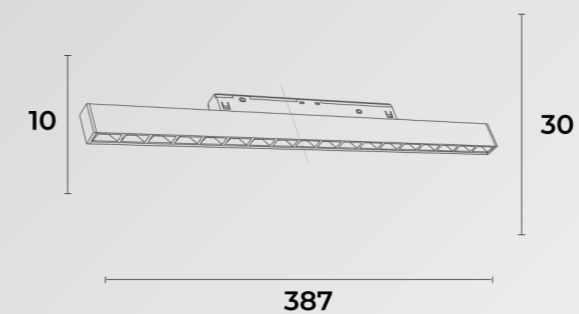
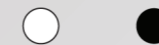
Material _____ Aluminium Die-Cast

DRIVE SYSTEM

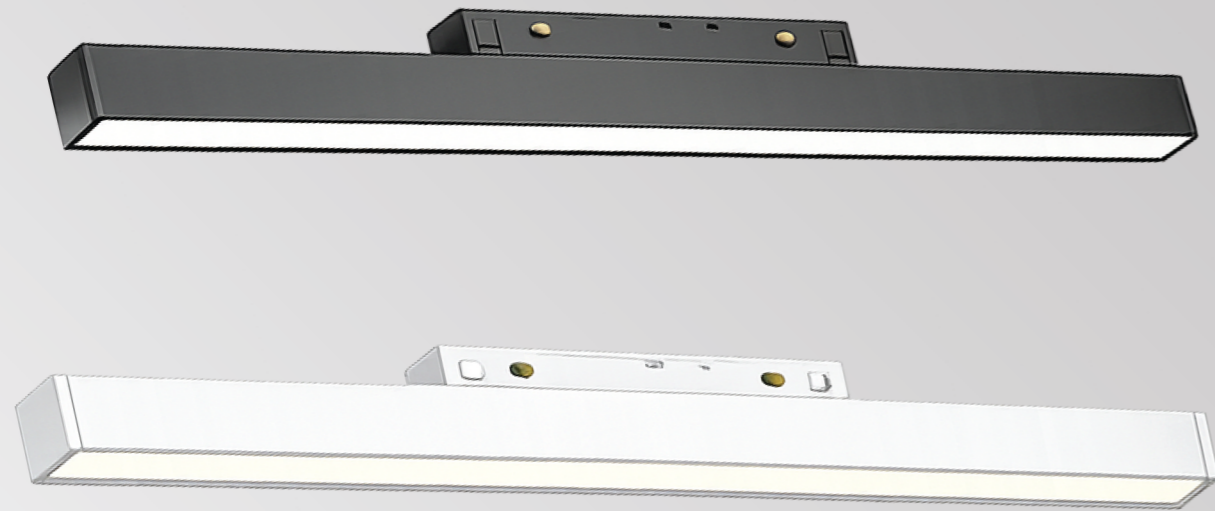
	Driver	Voltage	Current
Single Colour	Eaglerise	36V	500mA
Smart	Sigmesh (Bluetooth Based)	36V	500mA
	Zigbee (Wifi Based)	36V	500mA
Dali	Dt 6	36V	500mA
	Dt 8	36V	500mA

Finish

White | Black



LINEAR DIFFUSED 10MM MAGNETIC



LINEAR DIFFUSED 15W

APPLICATION

IP Rating
IP20

Recommended Use
Indoor Use

Installation
10mm Magnetic Track
(Recessed / Surface / Hanging)

TECHNICAL SPECIFICATIONS

LED Light Source _____ BRIDGELUX

CCT _____ 3000K | 4000K | 6000K | 2700K to 6000K Tunable

CRI _____ >90

Lens _____ 110°

Luminous Flux _____ 80

Efficiency _____ 120 to 140 Lm/W

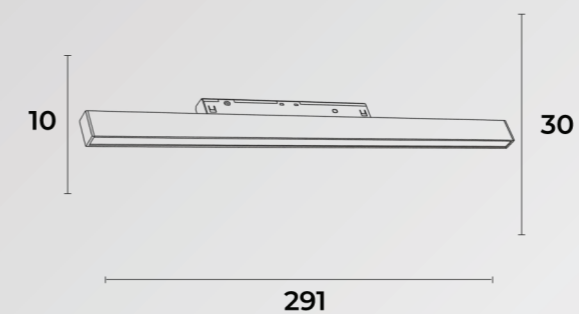
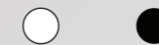
Material _____ Aluminium Die-Cast

DRIVE SYSTEM

	Driver	Voltage	Current
Single Colour	Eaglerise	36V	350mA
Smart	Sigmesh (Bluetooth Based)	36V	350mA
	Zigbee (Wifi Based)	36V	350mA
Dali	Dt 6	36V	350mA
	Dt 8	36V	350mA

Finish

White | Black



LINEAR DIFFUSED 10MM MAGNETIC



LINEAR DIFFUSED 25W

APPLICATION

IP Rating
IP20

Recommended Use
Indoor Use

Installation
10mm Magnetic Track
(Recessed / Surface / Hanging)

TECHNICAL SPECIFICATIONS

LED Light Source _____ BRIDGELUX

CCT _____ 3000K | 4000K | 6000K | 2700K to 6000K Tunable

CRI _____ >90

Lens _____ 110°

Luminous Flux _____ 80

Efficiency _____ 120 to 140 Lm/W

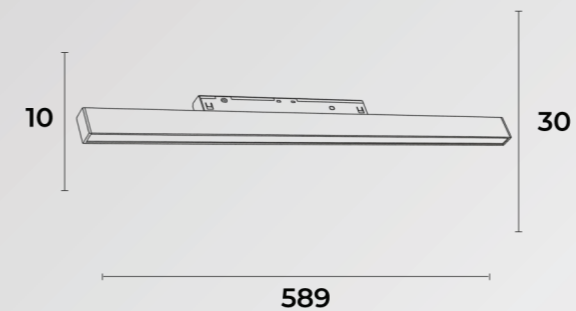
Material _____ Aluminium Die-Cast

DRIVE SYSTEM

	Driver	Voltage	Current
Single Colour	Eaglerise	36V	600mA
Smart	Sigmesh (Bluetooth Based)	36V	600mA
	Zigbee (Wifi Based)	36V	600mA
Dali	Dt 6	36V	600mA
	Dt 8	36V	600mA

Finish

White | Black



LINEAR TILT 10MM MAGNETIC



LINEAR TILT 10W

APPLICATION

IP Rating
IP20

Recommended Use
Indoor Use

Installation
10mm Magnetic Track
(Recessed / Surface / Hanging)

TECHNICAL SPECIFICATIONS

LED Light Source _____ BRIDGELUX

CCT _____ 3000K | 4000K | 6000K | 2700K to 6000K Tunable

CRI _____ >90

Lens _____ 30°

Luminous Flux _____ 80

Efficiency _____ 120 to 140 Lm/W

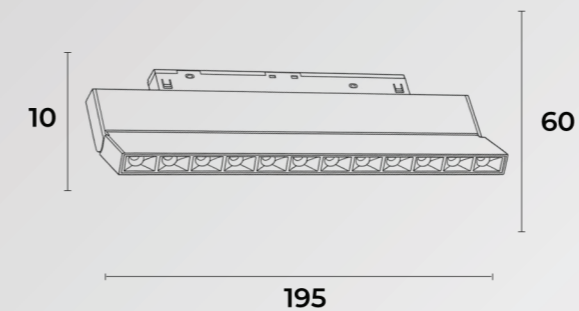
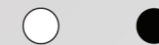
Material _____ Aluminium Die-Cast

DRIVE SYSTEM

	Driver	Voltage	Current
Single Colour	Eaglerise	36V	300mA
Smart	Sigmesh (Bluetooth Based)	36V	300mA
	Zigbee (Wifi Based)	36V	300mA
Dali	Dt 6	36V	300mA
	Dt 8	36V	300mA

Finish

White | Black



LINEAR TILT 10MM MAGNETIC



LINEAR TILT 15W

APPLICATION

IP Rating
IP20

Recommended Use
Indoor Use

Installation
10mm Magnetic Track
(Recessed / Surface / Hanging)

TECHNICAL SPECIFICATIONS

LED Light Source _____ BRIDGELUX

CCT _____ 3000K | 4000K | 6000K | 2700K to 6000K Tunable

CRI _____ >90

Lens _____ 30°

Luminous Flux _____ 80

Efficiency _____ 120 to 140 Lm/W

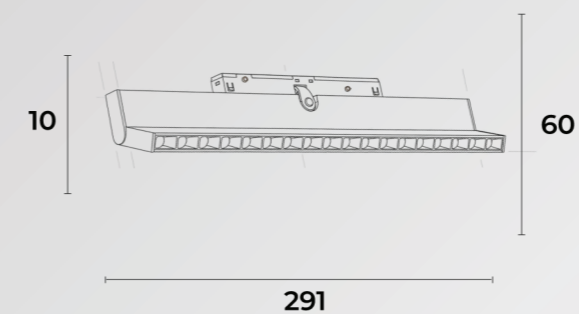
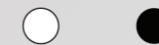
Material _____ Aluminium Die-Cast

DRIVE SYSTEM

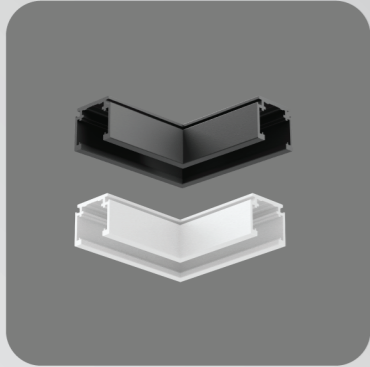
	Driver	Voltage	Current
Single Colour	Eaglerise	36V	350mA
Smart	Sigmesh (Bluetooth Based)	36V	350mA
	Zigbee (Wifi Based)	36V	350mA
Dali	Dt 6	36V	350mA
	Dt 8	36V	350mA

Finish

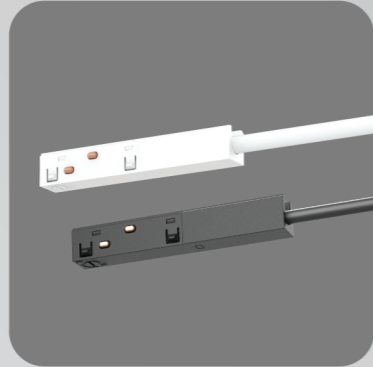
White | Black



10MM ACCESSORIES



90° Surface Track Joints



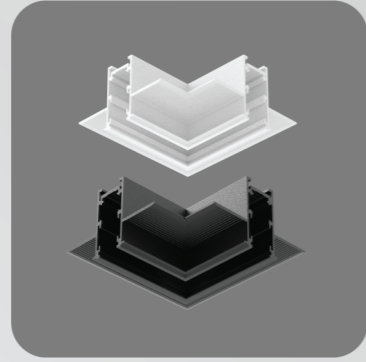
Power Cord



Straight Joints



Flexi Power Cord



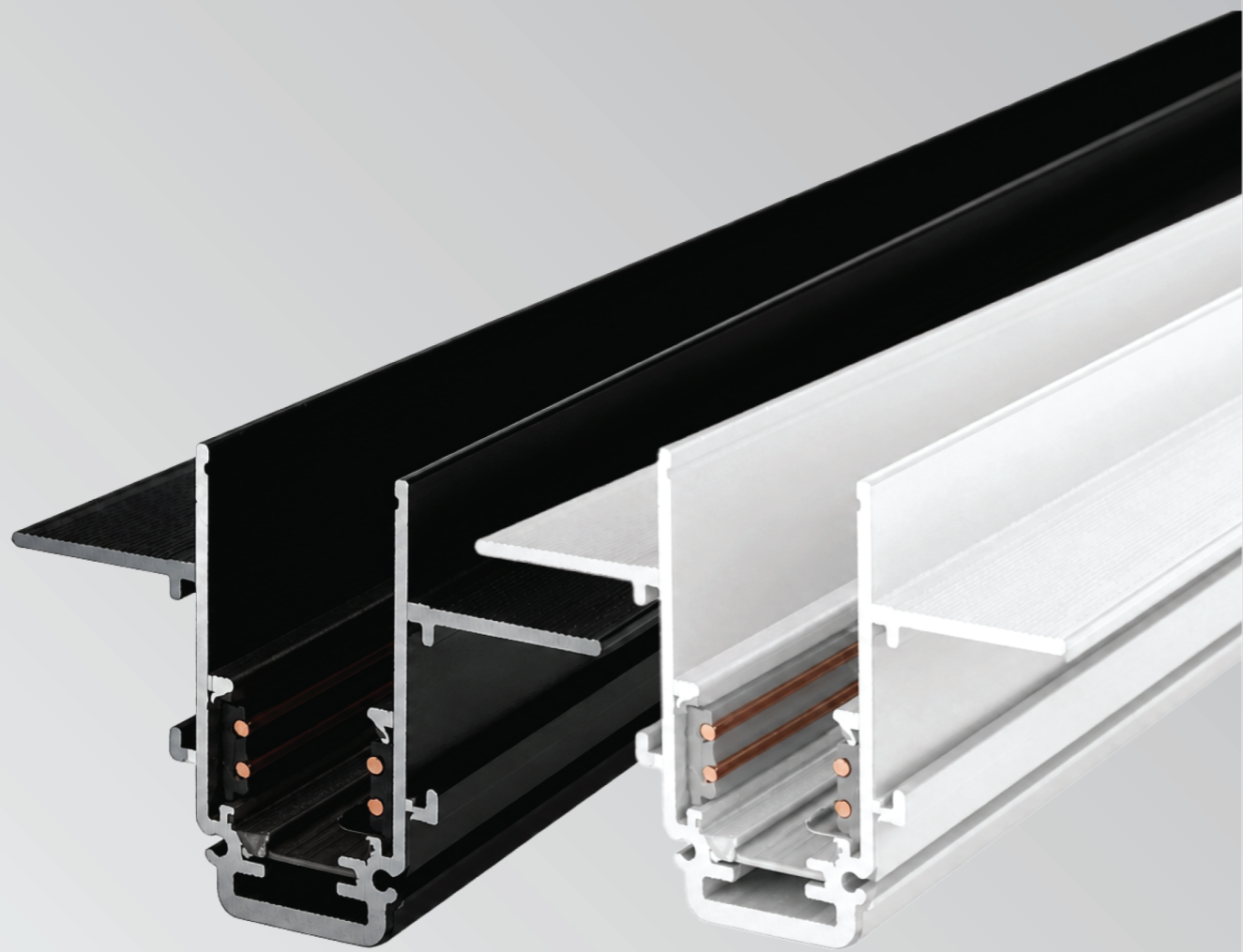
90° Corner Joints





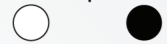
MAGMA

20MM MAGNETIC SYSTEM

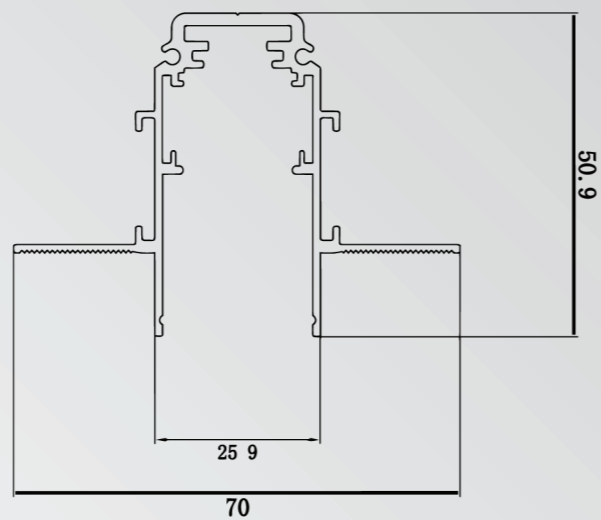


MAGMA
20mm MAGNETIC RECESSED TRACK

Finish:
White | Black

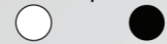


Available Size:
 1M : L1000 x W70 x H51.2 1 Meter Length
 2M : L2000 x W70 x H51.2 2 Meter Length
 3M : L3000 x W70 x H51.2 3 Meter Length

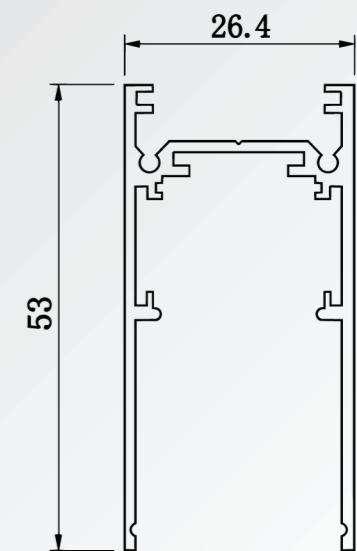


MAGMA
20mm MAGNETIC RECESSED TRACK

Finish:
White | Black



Available Size:
 1M : L1000 x W70 x H51.2 1 Meter Length
 2M : L2000 x W70 x H51.2 2 Meter Length
 3M : L3000 x W70 x H51.2 3 Meter Length



TAIYO SPOT 20MM MAGNETIC



TAIYO 7W



APPLICATION

IP Rating
IP20

Recommended Use
Indoor Use

Installation
20mm Magnetic Track
(Recessed / Surface / Hanging)

TECHNICAL SPECIFICATIONS

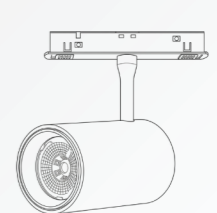
LED Light Source _____ BRIDGELUX
CCT _____ 3000K | 4000K | 6000K | 2700K to 6000K Tunable
CRI _____ >90
Lens _____ 36° / 24°
Luminous Flux _____ 120 to 140 Lm/W
Efficiency _____ 80
Material _____ Aluminium Die-Cast

DRIVE SYSTEM

	Driver	Voltage	Current
Single Colour	Eaglerise	36V	150mA
Smart	Sigmesh (Bluetooth Based)	36V	150mA
	Zigbee (Wifi Based)	36V	150mA
Dali	Dt 6	36V	150mA
	Dt 8	36V	150mA

Finish

White | Black



80

35

TAIYO SPOT 20MM MAGNETIC

TAIYO 12W



APPLICATION

IP Rating
IP20

Recommended Use
Indoor Use

Installation
20mm Magnetic Track
(Recessed / Surface / Hanging)

TECHNICAL SPECIFICATIONS

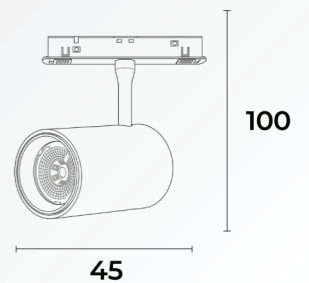
LED Light Source _____ BRIDGELUX
CCT _____ 3000K | 4000K | 6000K | 2700K to 6000K Tunable
CRI _____ >90
Lens _____ 36° / 24°
Luminous Flux _____ 120 to 140 Lm/W
Efficiency _____ 80
Material _____ Aluminium Die-Cast

DRIVE SYSTEM

	Driver	Voltage	Current
Single Colour	Eaglerise	36V	300mA
Smart	Sigmesh (Bluetooth Based)	36V	300mA
	Zigbee (Wifi Based)	36V	300mA
Dali	Dt 6	36V	300mA
	Dt 8	36V	300mA

Finish

White | Black



TAIYO SPOT 20MM MAGNETIC



APPLICATION

IP Rating
IP20

Recommended Use
Indoor Use

Installation
20mm Magnetic Track
(Recessed / Surface / Hanging)

TECHNICAL SPECIFICATIONS

LED Light Source BRIDGELUX
CCT 3000K | 4000K | 6000K | 2700K to 6000K Tunable
CRI >90
Lens 36° / 24°
Luminous Flux 120 to 140 Lm/W
Efficiency 80
Material Aluminium Die-Cast

TAIYO 18W

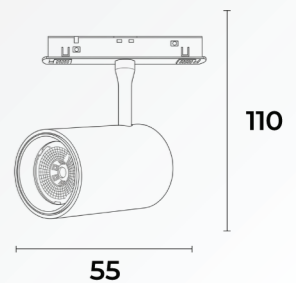


DRIVE SYSTEM

	Driver	Voltage	Current
Single Colour	Eaglerise	36V	450mA
Smart	Sigmesh (Bluetooth Based)	36V	450mA
	Zigbee (Wifi Based)	36V	450mA
Dali	Dt 6	36V	450mA
	Dt 8	36V	450mA

Finish

White | Black



LINEAR SPOT 20MM MAGNETIC



LINEAR SPOT 6W



APPLICATION

IP Rating
IP20

Recommended Use
Indoor Use

Installation
20mm Magnetic Track
(Recessed / Surface / Hanging)

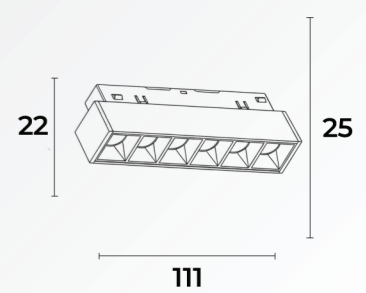
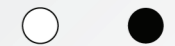
TECHNICAL SPECIFICATIONS

LED Light Source _____ BRIDGELUX
CCT _____ 3000K | 4000K | 6000K | 2700K to 6000K Tunable
CRI _____ >90
Lens _____ 36°
Luminous Flux _____ 120 to 140 Lm/W
Efficiency _____ 80
Material _____ Aluminium Die-Cast

DRIVE SYSTEM

	Driver	Voltage	Current
Single Colour	Eaglerise	36V	150mA
Smart	Sigmesh (Bluetooth Based)	36V	150mA
	Zigbee (Wifi Based)	36V	150mA
Dali	Dt 6	36V	150mA
	Dt 8	36V	150mA

Finish
White | Black



LINEAR SPOT 20MM MAGNETIC



APPLICATION

IP Rating
IP20

Recommended Use
Indoor Use

Installation
20mm Magnetic Track
(Recessed / Surface / Hanging)

TECHNICAL SPECIFICATIONS

LED Light Source BRIDGELUX
CCT 3000K | 4000K | 6000K | 2700K to 6000K Tunable
CRI >90
Lens 36°
Luminous Flux 120 to 140 Lm/W
Efficiency 80
Material Aluminium Die-Cast

LINEAR SPOT 12W

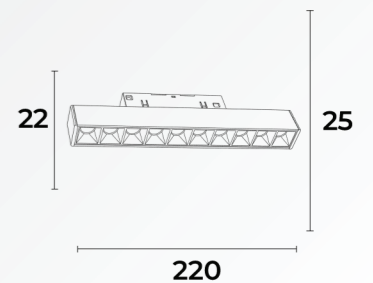


DRIVE SYSTEM

	Driver	Voltage	Current	
			Single Color Smart	Tunable
Single Colour	Eaglerise	36V	300mA	270mA
Smart	Sigmesh (Bluetooth Based)	36V	300mA	270mA
	Zigbee (Wifi Based)	36V	300mA	270mA
Dali	Dt 6	36V	300mA	270mA
	Dt 8	36V	300mA	270mA

Finish

White | Black



LINEAR SPOT 20MM MAGNETIC



LINEAR SPOT 18W



APPLICATION

IP Rating
IP20

Recommended Use
Indoor Use

Installation
20mm Magnetic Track
(Recessed / Surface / Hanging)

TECHNICAL SPECIFICATIONS

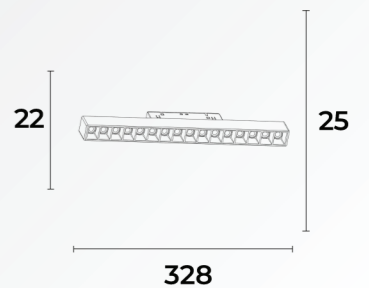
LED Light Source BRIDGELUX
CCT 3000K | 4000K | 6000K | 2700K to 6000K Tunable
CRI >90
Lens 36°
Luminous Flux 120 to 140 Lm/W
Efficiency 80
Material Aluminium Die-Cast

DRIVE SYSTEM

		Voltage		Current	
		36V	400mA	450mA	
Single Colour	Eaglerise			Single Color Smart	Tunable
Smart	Sigmesh (Bluetooth Based)	36V	400mA	450mA	
	Zigbee (Wifi Based)	36V	400mA	450mA	
Dali	Dt 6	36V	400mA	450mA	
	Dt 8	36V	400mA	450mA	

Finish

White | Black



LINEAR DIFFUSED 20MM MAGNETIC

LINEAR DIFFUSED 12W



APPLICATION

IP Rating
IP20

Recommended Use
Indoor Use

Installation
20mm Magnetic Track
(Recessed / Surface / Hanging)

TECHNICAL SPECIFICATIONS

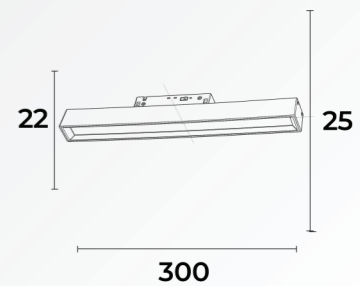
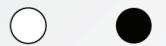
LED Light Source BRIDGELUX
CCT 3000K | 4000K | 6000K | 2700K to 6000K Tunable
CRI >90
Lens 120°
Luminous Flux 120 to 140 Lm/W
Efficiency 80
Material Aluminium Die-Cast

DRIVE SYSTEM

		Voltage	Current
Single Colour	Eaglerise	36V	300mA
Smart	Sigmesh (Bluetooth Based)	36V	300mA
	Zigbee (Wifi Based)	36V	300mA
Dali	Dt 6	36V	300mA
	Dt 8	36V	300mA

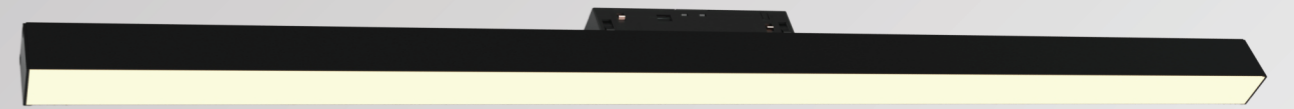
Finish

White | Black



LINEAR DIFFUSED 20MM MAGNETIC

LINEAR DIFFUSED 24W



APPLICATION

IP Rating
IP20

Recommended Use
Indoor Use

Installation
20mm Magnetic Track
(Recessed / Surface / Hanging)

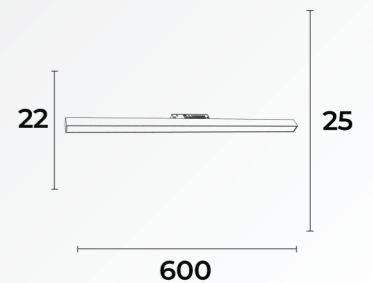
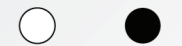
TECHNICAL SPECIFICATIONS

LED Light Source _____ BRIDGELUX
CCT _____ 3000K | 4000K | 6000K | 2700K to 6000K Tunable
CRI _____ >90
Lens _____ 120°
Luminous Flux _____ 120 to 140 Lm/W
Efficiency _____ 80
Material _____ Aluminium Die-Cast

DRIVE SYSTEM

		Voltage	Current
Single Colour	Eaglerise	36V	600mA
Smart	Sigmesh (Bluetooth Based)	36V	600mA
	Zigbee (Wifi Based)	36V	600mA
Dali	Dt 6	36V	600mA
	Dt 8	36V	600mA

Finish
White | Black



LINEAR TILT 20MM MAGNETIC



LINEAR TILT 6W



APPLICATION

IP Rating
IP20

Recommended Use
Indoor Use

Installation
20mm Magnetic Track
(Recessed / Surface / Hanging)

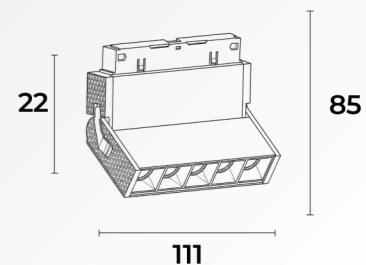
TECHNICAL SPECIFICATIONS

LED Light Source BRIDGELUX
CCT 3000K | 4000K | 6000K | 2700K to 6000K Tunable
CRI >90
Lens 36°
Luminous Flux 120 to 140 Lm/W
Efficiency 80
Material Aluminium Die-Cast

DRIVE SYSTEM

		Voltage	Current
Single Colour	Eaglerise	36V	150mA
Smart	Sigmesh (Bluetooth Based)	36V	150mA
	Zigbee (Wifi Based)	36V	150mA
Dali	Dt 6	36V	150mA
	Dt 8	36V	150mA

Finish
White | Black



LINEAR TILT 20MM MAGNETIC



LINEAR TILT 12W



APPLICATION

IP Rating
IP20

Recommended Use
Indoor Use

Installation
20mm Magnetic Track
(Recessed / Surface / Hanging)

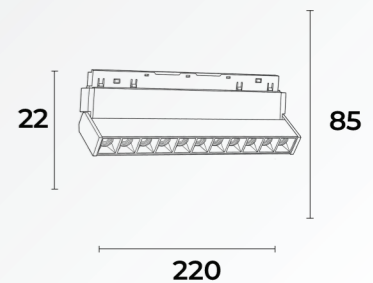
TECHNICAL SPECIFICATIONS

LED Light Source BRIDGELUX
CCT 3000K | 4000K | 6000K | 2700K to 6000K Tunable
CRI >90
Lens 36°
Luminous Flux 120 to 140 Lm/W
Efficiency 80
Material Aluminium Die-Cast

DRIVE SYSTEM

		Voltage	Current
Single Colour	Eaglerise	36V	300mA
Smart	Sigmesh (Bluetooth Based)	36V	300mA
	Zigbee (Wifi Based)	36V	300mA
Dali	Dt 6	36V	300mA
	Dt 8	36V	300mA

Finish
White | Black



LINEAR TILT 20MM MAGNETIC



LINEAR TILT 18W



APPLICATION

IP Rating
IP20

Recommended Use
Indoor Use

Installation
20mm Magnetic Track
(Recessed / Surface / Hanging)

TECHNICAL SPECIFICATIONS

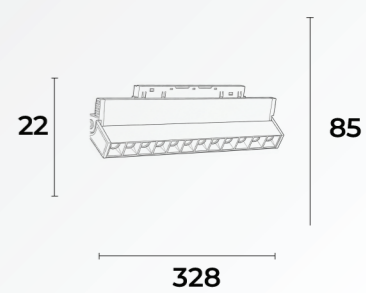
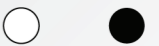
LED Light Source BRIDGELUX
CCT 3000K | 4000K | 6000K | 2700K to 6000K Tunable
CRI >90
Lens 36°
Luminous Flux 120 to 140 Lm/W
Efficiency 80
Material Aluminium Die-Cast

DRIVE SYSTEM

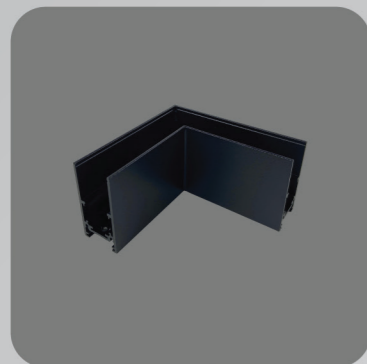
		Voltage	Current
Single Colour	Eaglerise	36V	450mA
Smart	Sigmesh (Bluetooth Based)	36V	450mA
	Zigbee (Wifi Based)	36V	450mA
Dali	Dt 6	36V	450mA
	Dt 8	36V	450mA

Finish

White | Black



20MM ACCESSORIES



Track Corner Joiner



Curve



End Cap



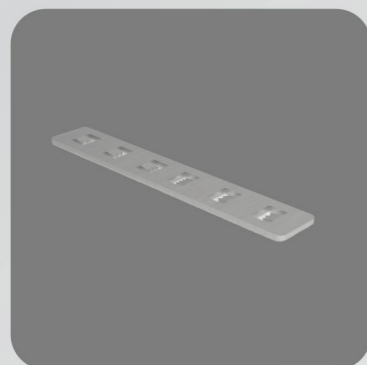
Flexi Power Cord



Input Module



Metal Sheet Recessed



Metal Sheet Surface



Straight Joiner



Surface Metal Holder



JMMC INDIA
Your Brand Our Responsibility

**YOUR BRAND
OUR
RESPONSIBILITY**

JMMC INDIA PRIVATE LIMITED

CIN: U27331MH2025PTC456700

Factory Address: 104-105, 1st Floor, Bldg. No.3, Square Industrial Park,
Tungarfata Rd, Off NH48, Vasai Maharashtra - 401 208.

Corporate Address: Shop No.10, Pittalwala Apts, Tilak Road, Santacruz
West, Mumbai 400054.

Email: contact@jmmcindia.com

Website: www.jmmcindia.com

All rights reserved.

This catalog is the exclusive property of JMMC INDIA PRIVATE LIMITED. No part of this publication may be reproduced, stored, or transmitted in any form without prior written permission.